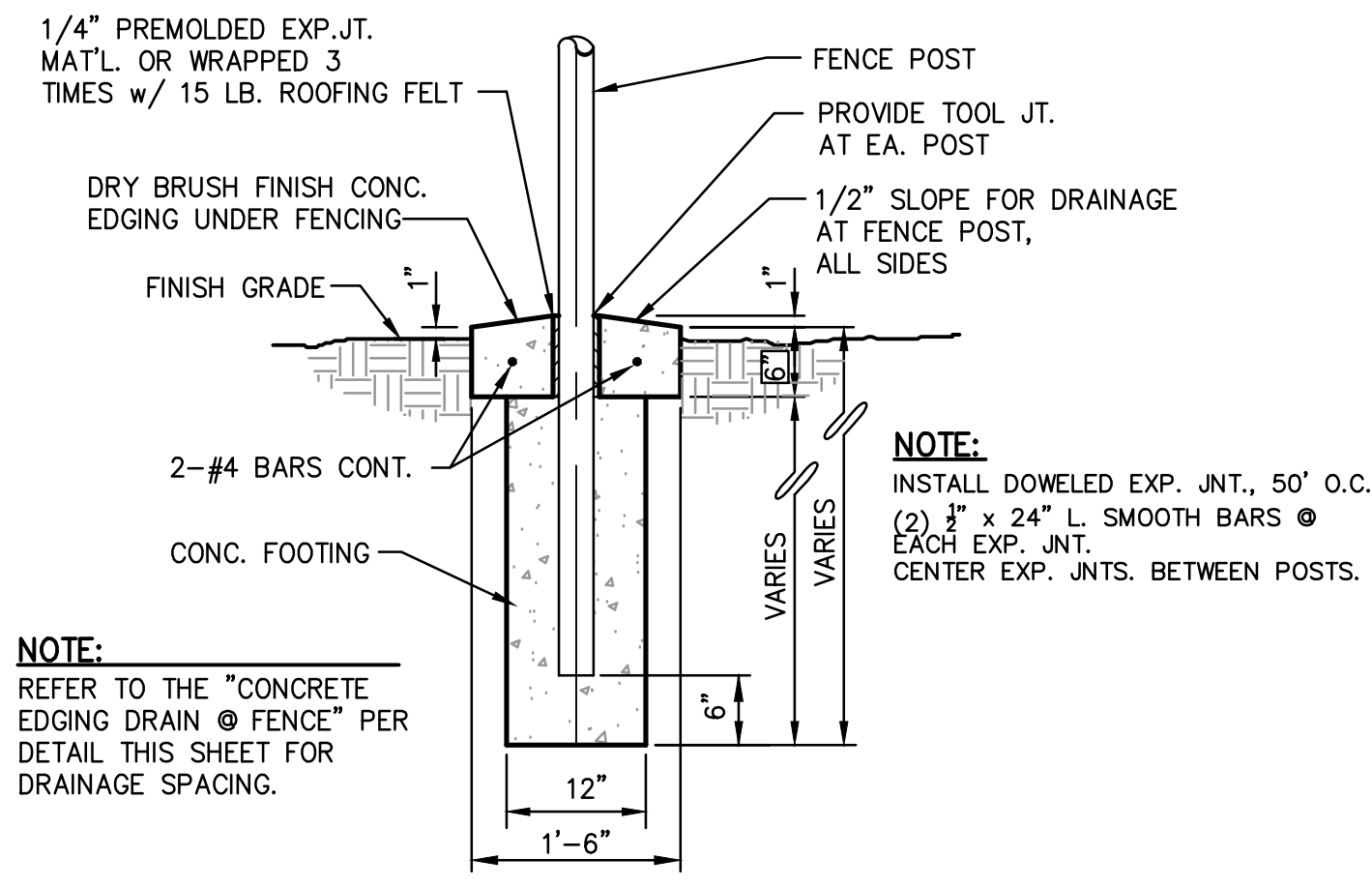


- NOTES:**
1. ALL FENCE FABRIC TO BE ON OUTSIDE OF GOLF COURSE.
 2. FOOTINGS AT 6'-0" TALL FENCE SHALL BE 2'-3" DEEP.
 3. CHAIN LINK FENCE TO BE VINYL COATED (BLACK)

1 6' VINYL COATED CHAIN LINK FENCING (ALTERNATE BIDS 1, 2 & 3)

SCALE: 1/4" = 1'-0"

8'VCChainlinkFence.dwg

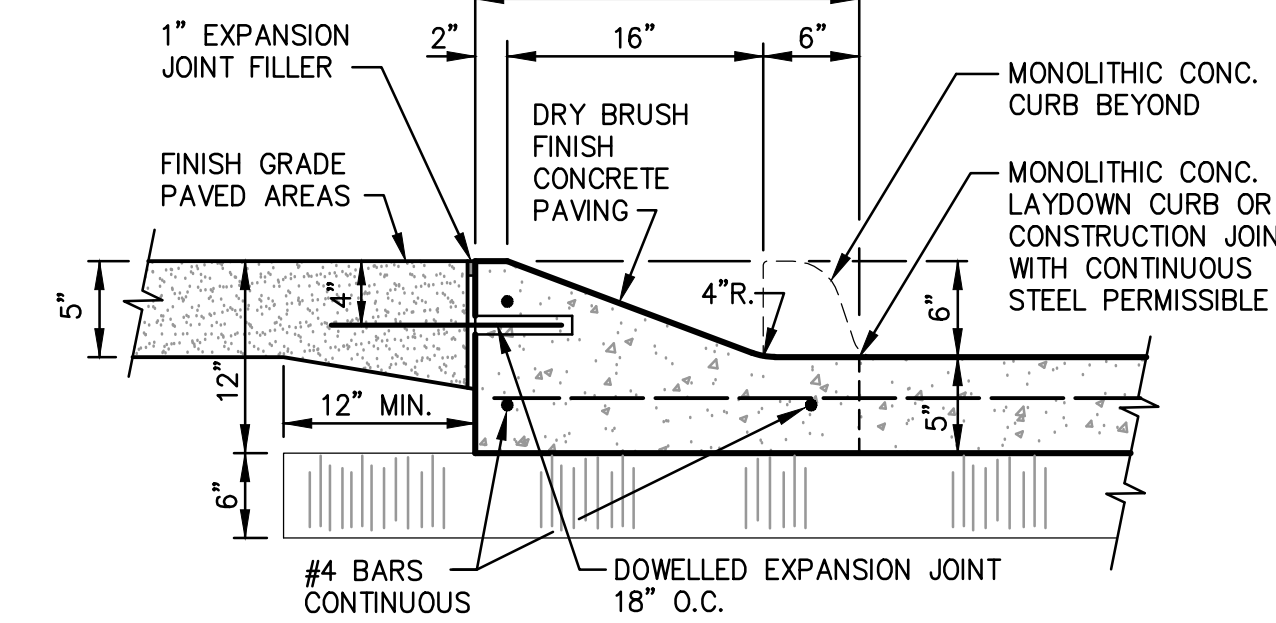


- NOTE:**
REFER TO THE "CONCRETE EDGING DRAIN @ FENCE" PER DETAIL THIS SHEET FOR DRAINAGE SPACING.

2 CONCRETE EDGING UNDER FENCE

SCALE: 3/4" = 1'-0"

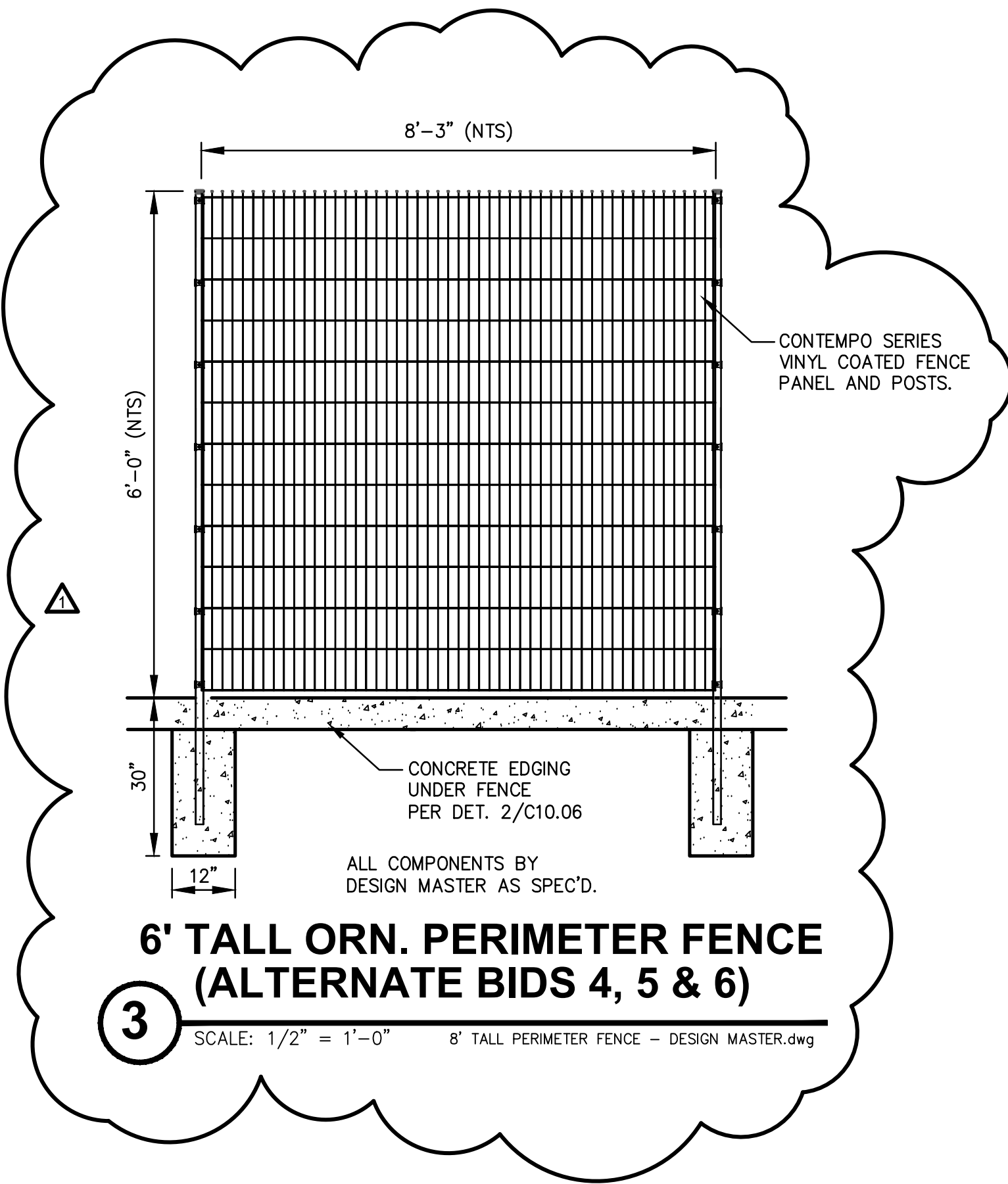
CONCEDGE.dwg



5 SURMOUNTABLE CURB

SCALE: 1" = 1'-0"

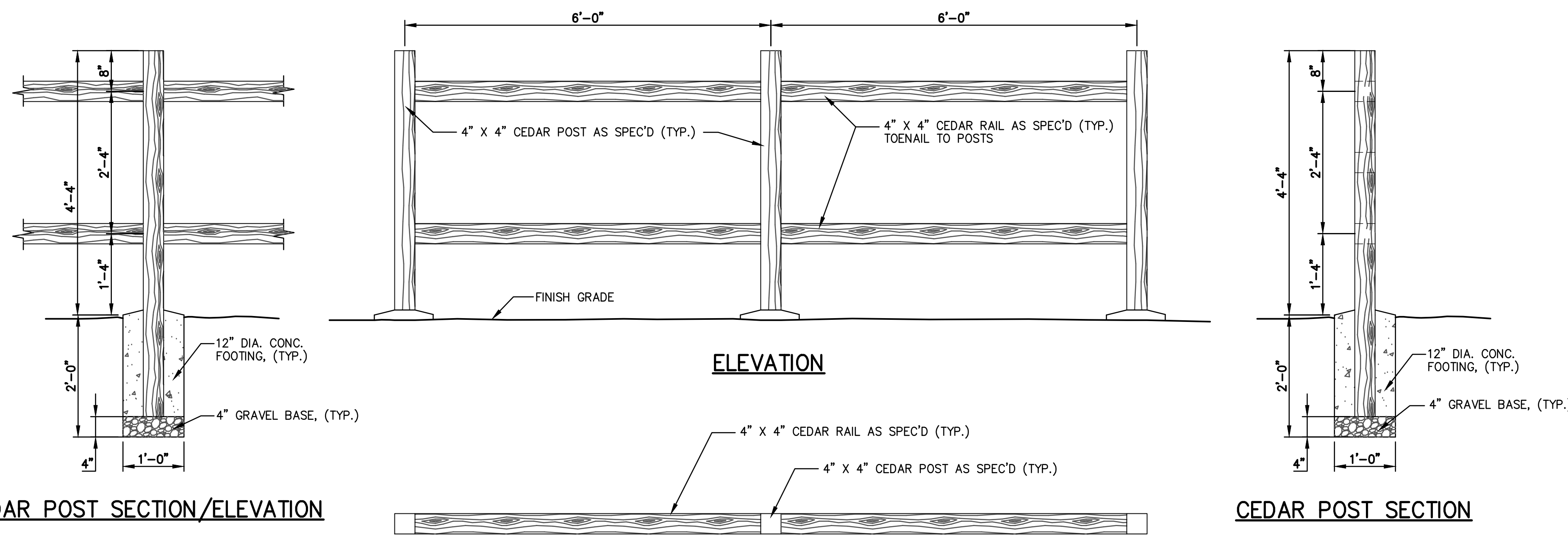
LaydownCurb.dwg



3 6' TALL ORN. PERIMETER FENCE (ALTERNATE BIDS 4, 5 & 6)

SCALE: 1/2" = 1'-0"

6' TALL PERIMETER FENCE - DESIGN MASTER.dwg



4 CEDAR RAIL FENCE

SCALE: 3/4" = 1'-0"

SplitRailFence.dwg

NOTE: CEDAR RAILS AND POSTS SHALL BE STAINED AND SEALED TO MATCH THE EXPOSED TRUSSES ON THE CLUBHOUSE

Civil Engineer
SCHRIKEL, ROLLINS AND ASSOCIATES, INC.
1161 CORPORATE DRIVE WEST SUITE 200
ARLINGTON, TEXAS 76006
P: 817.649.3216

Mechanical, Electrical, Plumbing Engineer
MEP SYSTEMS
918 DRAGON STREET
DALLAS, TEXAS 75207
P: 214.915.0929

Structural Engineer
RONALD A. ROBERTS ASSOCIATES, INC.
2948 N. STEMMONS FREEWAY
DALLAS, TEXAS 75247
P: 214.637.8299

Kitchen Consultant
PROFITABLE FOOD FACILITIES
14026 Donat Drive
POWAY, CALIFORNIA 92064
P: 858.748.7333

A/V Consultant
ACHIEVE AV, INC.
730 Ward Dr.
CEDAR HILL, TEXAS 75104
P: 214.884.9951

CHESTER W. DITTO GOLF COURSE CLUBHOUSE
CITY OF ARLINGTON
801 BROWN BLVD - ARLINGTON, TX 76011

ADDENDUM #1	11-10-2017
No.	Date
Revisions	
Project No. 21538.00	
Drawn: -CH, -XT, -MW, -HP	
Checked: -MDS	
Approved:	

CONSTRUCTION DOCUMENTS

Title: **SITE DETAILS**

Drawing No. **C10.06**

Issue Date: **OCTOBER 25, 2017**

© COPYRIGHT REES ASSOCIATES, INC. 2017
SRA PROJECT #5311