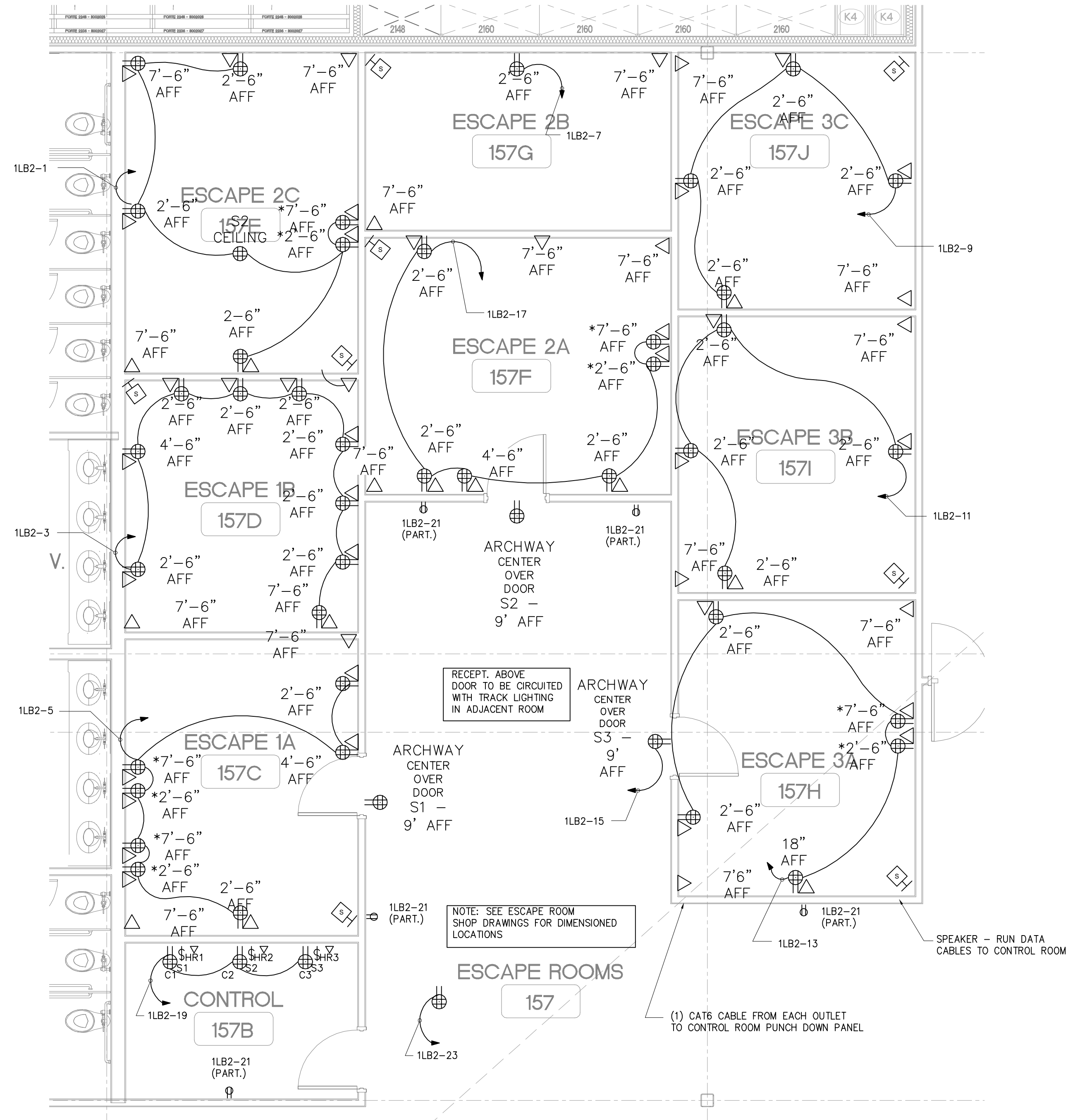


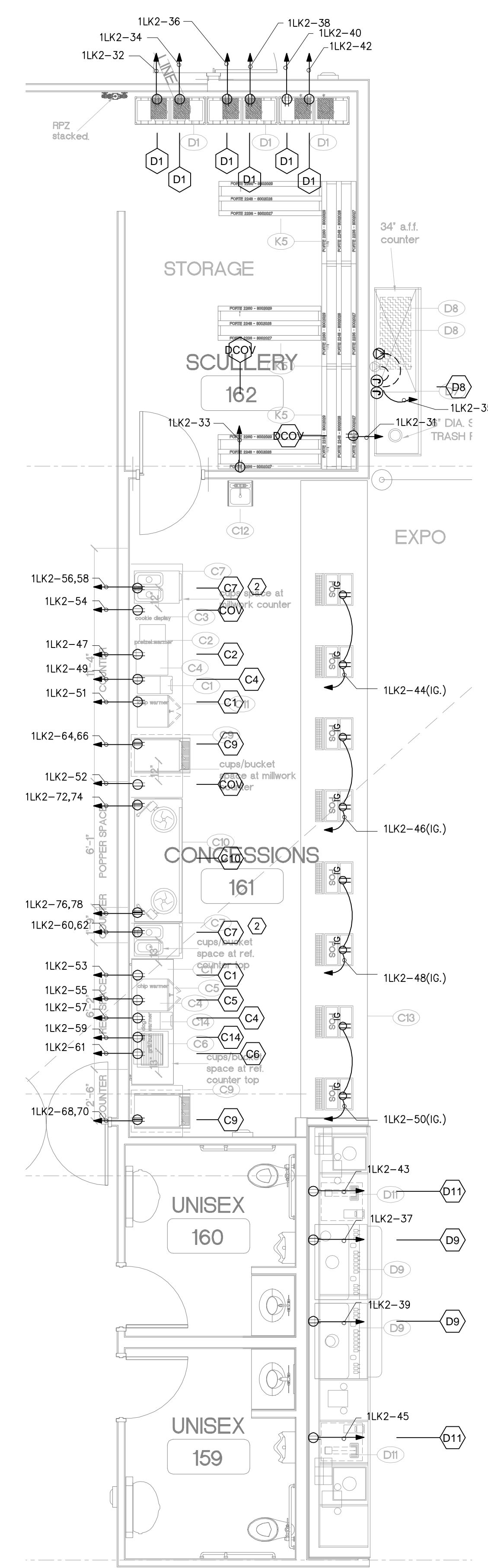
02 OFFICE SUITE - ENLARGED PLANS - POWER
SCALE: 1/4"=1'-0"

CONCESSION ELECTRICAL SCHEDULE													
ITEM NO.	DESCRIPTION	TERMINATE	VOLTS	CYCLE	PHASE	AMPS	KW	HP	LOCATION	AFF	CONNECTION	NEMA	REMARKS
C1	CHIP WARMER	DCO	120	60	1	15			WALL	50"	CORD & PLUG	5-15P	2 LOCATIONS
C2	PRETZEL WARMER	DCO	120	60	1	15			WALL	50"	CORD & PLUG	5-15P	2 LOCATIONS
C4	NACHO/CHILLI DISPENSER	DCO	120	60	1	15			WALL	50"	CORD & PLUG	5-15P	2 LOCATIONS
C5	REFRIGERATED BACKBAR CABINET	DCO	120	60	1	5.2		1/5	WALL	24"	CORD & PLUG	5-15P	
C6	HOT DOG GRILL	DCO	120	60	1	15			WALL	50"	CORD & PLUG	5-15P	
C7	FROZEN DRINK MACHINE	JB	208-230	60	1	17		(2) 1/4	WALL	48"	DIRECT		B.T.C. - 2 LOCATIONS.
C9	FROZEN DRINK MACHINE - ICEE	JB	208	60	1	30			WALL	48"		L-630	2 LOCATIONS.
C10	POPCORN POPPER	JB	120/208	60	1		11.520		WALL	24"	CORD & PLUG		30 AMP DEDICATED CIRCUIT - 4 WIRE
C14	BUN WARMER	DCO	120	60	1	15			WALL	50"	CORD & PLUG	5-15P	
COV	CONVENIENT OUTLET	DCO	120	60	1	15			WALL	50"	CORD & PLUG	5-15P	2 LOCATIONS.

DRINK ELECTRICAL SCHEDULE													
ITEM NO.	DESCRIPTION	TERMINATE	VOLTS	CYCLE	PHASE	AMPS	KW	HP	LOCATION	AFF	CONNECTION	NEMA	REMARKS
DCOV	CONVENIENT OUTLET - 2 LOCATIONS	DCO	120	60	1	15			WALL	50"	CORD & PLUG	5-15P	
D1	CARBONATOR, BAG IN BOX SYRUP TANK RACK	DCO	120	60	1	15			WALL	78"	CORD & PLUG	5-15P	FOR CARBONATOR - (6) LOCATIONS
D2	BASE, ICE DISPENSER, ICE LINK SYSTEM - 2 REQ.	DCO	120	60	1	2.7			WALL	24"	CORD & PLUG	5-15P	BASE ELECTRICAL UNIT.
D3	BLOWER, ICE DISPENSER, ICE LINK SYSTEM - 2 REQ.	DCO	120	60	1	20			ABOVE CEILING		CORD & PLUG	5-15P	BLOWER UNIT 20 AMP CIRCUIT. UNIT WILL BE LOCATED ABOVE CEILING VERIFY LOCATION WITH ICE LINK INSTALLER.
D2.1	ICE CUBER MACHINE - 3 REQUIRED	JB	208	60	3	17.2			WALL	108"	DIRECT		30 AMP MAX CIRCUIT.
D3.1	REMOTE ICE CONDENSER - 2 REQUIRED												POWER SUPPLY WILL COME FOR ICE MAKER.
D8	HEAT LAMP - 2 LOCATIONS	JB	120	60	1		1.53		COUNTER		DIRECT		PRE-WIRED HEAT LAMPS J BOX LOCATIONS. ELECTRICAL CONTRACTOR TO MAKE ELECTRICAL CONNECTION IN FIELD.
D9	SODA BEVERAGE POST / DRINK DISPENSER	DCO	120	60	1	6			WALL	18"	CORD & PLUG	5-15P	2 LOCATIONS
D11	BUTTER DISPENSER	DCO	120	60	1	2.6			WALL	24"	CORD & PLUG	5-15P	2 LOCATIONS



03 ENLARGED ESCAPE ROOM - POWER AND LOW VOLTAGE
SCALE: 1/4"=1'-0"



01 ENLARGED CONCESSIONS - POWER
SCALE: 1/4"=1'-0"



ARCHITECT
5G Studio Collaborative, LLC.
800 Jackson St., Suite 500
Dallas, TX 75202
Rick Walker - 214.670.0050

STRUCTURAL ENGINEER
L.A. Fuess Partners Engineers
3333 Lee Parkway, Suite 300
Dallas, TX 75219
Jeff Inoué - 214.881.0110

MEP ENGINEER
EnviroDesign, Inc.
900 Ranch Rd #200 So., Suite C101-301
Austin, TX 78738
Sam Patton - 512.693.9015
Leas PE Firm Number 1-3847



DRAWINGS & SPECIFICATIONS ARE THE PROPERTY OF ENVIRODESIGN. COPIES OF THE DRAWINGS & SPECIFICATIONS RETAINED BY THE CLIENT MAY BE UTILIZED ONLY FOR HIS USE & FOR OCCUPANCY OF THE PROJECT FOR WHICH THEY WERE PREPARED, & NOT FOR THE CONSTRUCTION OF ANY OTHER PROJECT.

REV.	DATE	PERMIT ISSUE	ISSUE
5/12/17		PERMIT ISSUE	
5/24/17		ISSUE FOR BID	

CINERGY AMARILLO

SHEET DESCRIPTION
ENLARGED PLANS - POWER