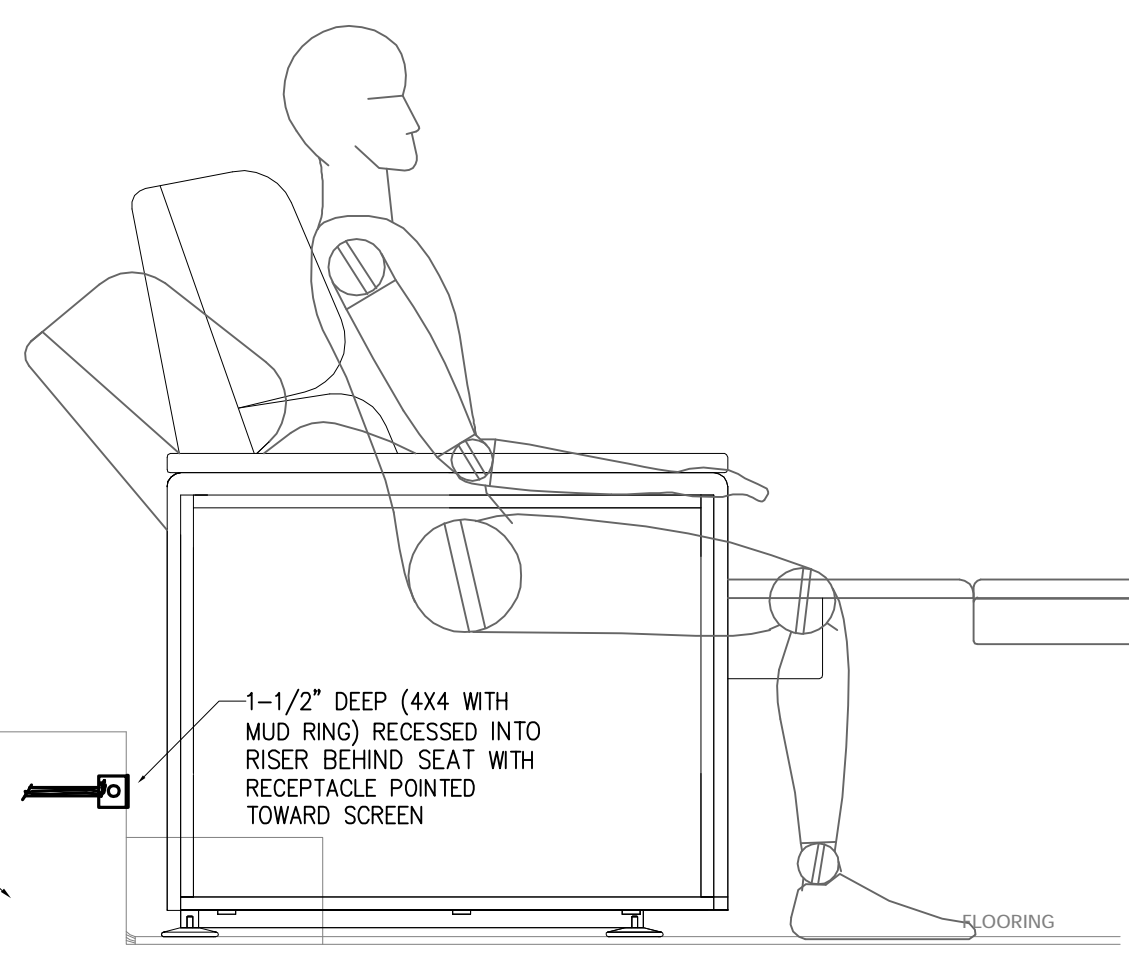


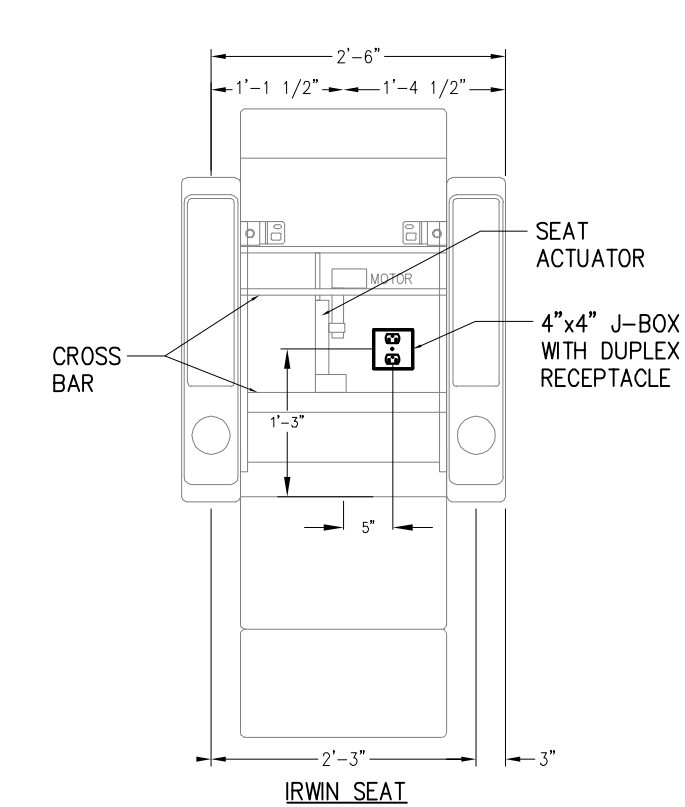
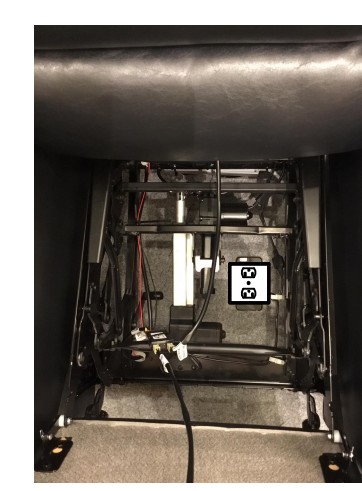
Plotted By: Dan Habetter 24 May, 2017 Drawing File: E:\Dropbox (EnviroDesign)\EnviroDesign Team Folder\Current\2017-055 Cinergy Amarillo\2017-055E33.dwg

ALL DRAWINGS AND WRITTEN MATERIAL APPEARING HEREIN CONSTITUTE ORIGINAL AND UNPUBLISHED WORK OF THE ENGINEER AND MAY NOT BE DUPLICATED, USED OR DISCLOSED WITHOUT WRITTEN CONSENT OF ENVIRODESIGN, INC. © 2017 ENVIRODESIGN, INC. ALL RIGHTS RESERVED.

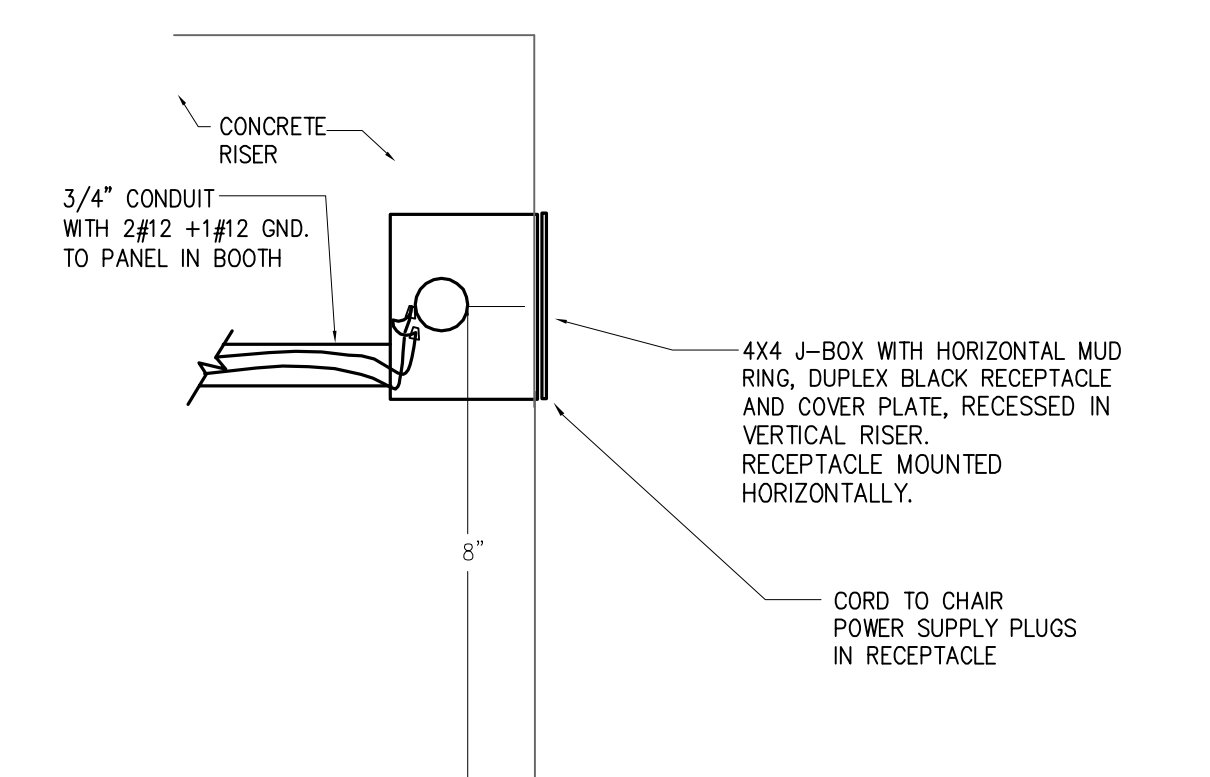


**27 RISER RECESSED RECEPTACLE FOR SEATS**  
SCALE: NONE

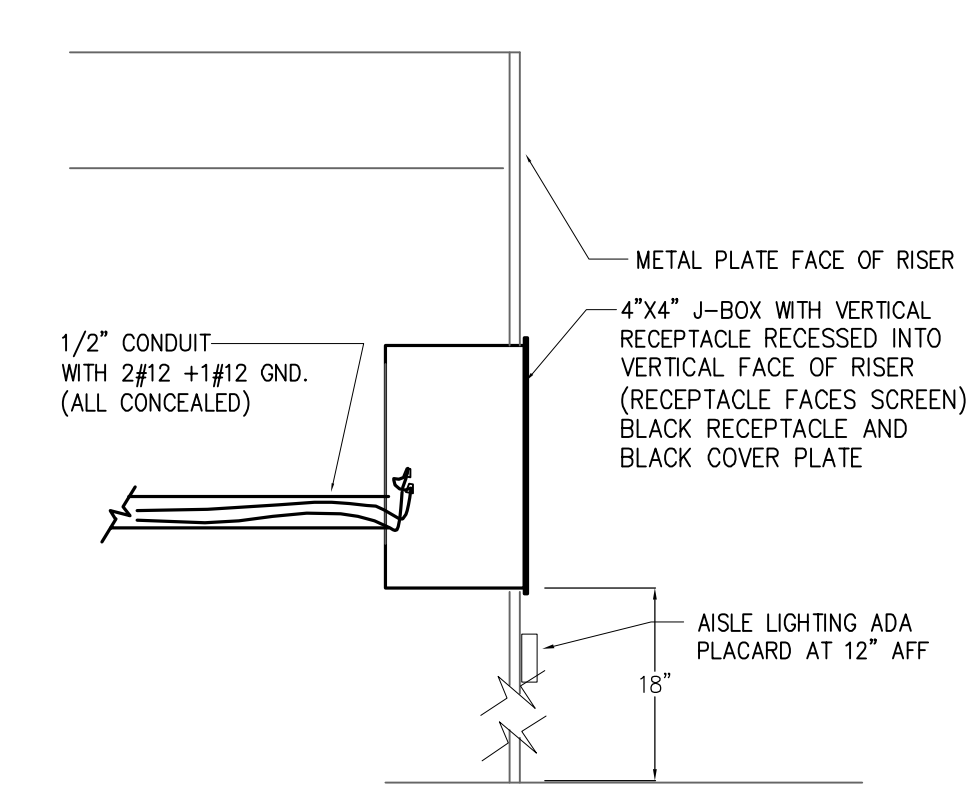
**IRWIN SEATS**  
IF SEAT SUPPLIER CHANGES,  
PLEASE NOTIFY ENGINEER



**27 FLOOR MOUNTED RECEPTACLE FOR SEATS**  
SCALE: NONE



**26 RISER RECESSED RECEPTACLE FOR SEATS**  
SCALE: NONE

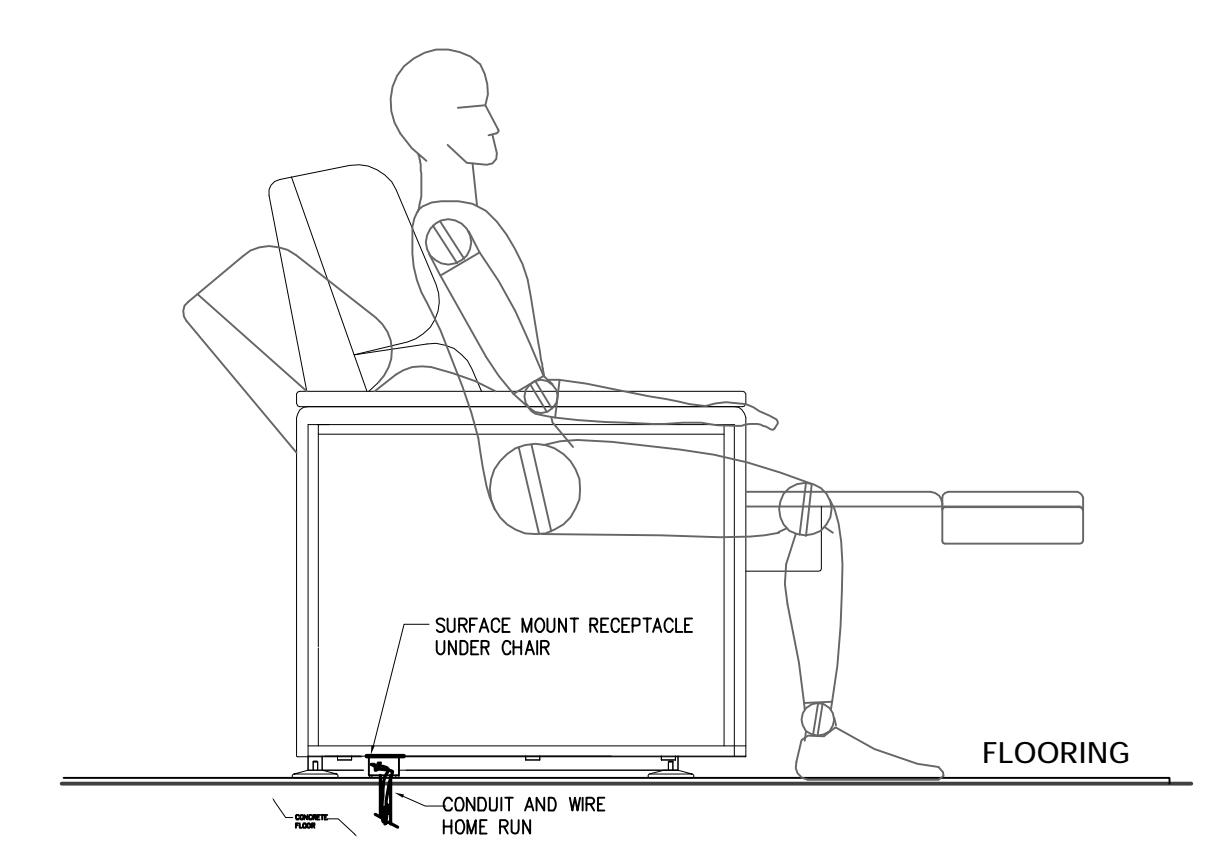


**27 WHEEL CHAIR LOCATION RECEPTACLE AT CROSS AISLE**  
SCALE: NONE

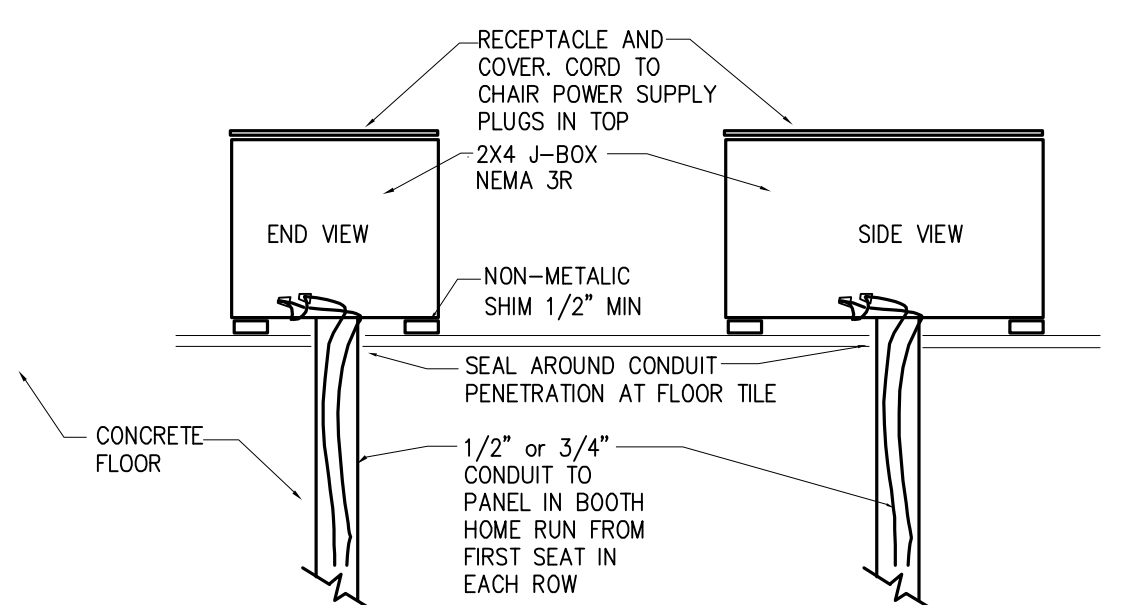
**GENERAL NOTES:**

1. MC CABLE MAY BE USED FOR RECEPTACLE POWER WHERE ALLOWED BY CODE. MAKE SURE THAT THE MC CABLE IS WELL SECURED TO AVOID RATTLES.
2. NO MC CABLE SHALL BE BURIED IN CONCRETE.
3. NO CONDUIT SHALL BE EXPOSED TO PUBLIC VIEW.
4. ALL J-BOXES SHALL BE RECESSED.
5. RECEPTACLES AT WHEEL CHAIR LOCATIONS SHALL BE TAMPER-PROOF.

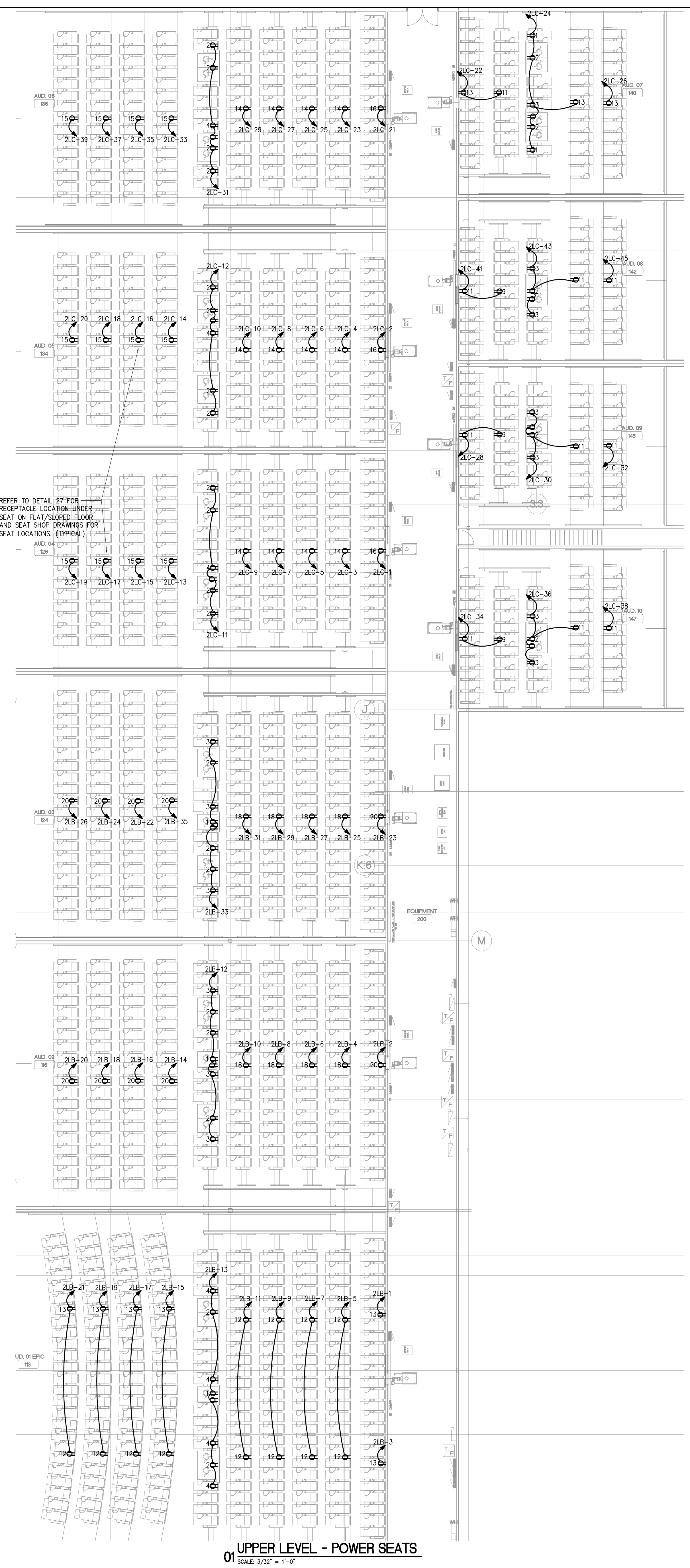
RECEPTACLES AND CONDUIT AT WHEEL CHAIR LOCATIONS TO BE CONCEALED (TYPICAL).  
NO CONDUIT OR J-BOXES TO BE EXPOSED TO PUBLIC VIEW



**29 6" HIGH RISER, SLOPED FLOOR, OR FLAT FLOOR FLOOR MOUNTED RECEPTACLE FOR SEATS**  
SCALE: NONE



**28 FLOOR MOUNTED RECEPTACLE FOR SEATS**  
SCALE: NONE



**01 UPPER LEVEL - POWER SEATS**  
SCALE: 3/32" = 1'-0"



800 Jackson | Suite 600 | Dallas, TX 75202  
260 Peachtree Street | Suite 500 | Atlanta, GA 30303

**ARCHITECT**  
5G Studio Collaborative, LLC.  
800 Jackson St., Suite 600  
Dallas, TX 75202  
Rick Walker - 214.670.0050

**STRUCTURAL ENGINEER**  
L.A. Fuess Partners Engineers  
3333 Lee Parkway, Suite 300  
Dallas, TX 75219  
Jeff Tracy - 214.881.0110

**MEP ENGINEER**  
EnviroDesign, Inc.  
900 Ranch Rd #200 So., Suite C101-301  
Austin, TX 78738  
Sam Patton - 512.693.9015  
Leesa PC Form Number 1-3847

24 May 2017



THESE SPECIFICATIONS ARE THE PROPERTY OF ENVIRODESIGN. COPIES OF THE DRAWINGS & SPECIFICATIONS RETAINED BY THE CLIENT MAY BE UTILIZED ONLY FOR HIS USE & FOR OCCUPANCY OF THE PROJECT FOR WHICH THEY WERE PREPARED, & NOT FOR THE CONSTRUCTION OF ANY OTHER PROJECT.

REV.	DATE	PERMIT ISSUE	ISSUE
5/12/17		PERMIT ISSUE	
5/24/17		ISSUE FOR BID	

**CINERGY AMARILLO**

SHEET DESCRIPTION  
**UPPER LEVEL**  
**POWER SEATS**

2016-151 PROJECT NUMBER  
**E3.3** SHEET NUMBER