

Plotted By: Dan Habebler 24 May, 2017 Drawing File: E:\Dropbox (EnviroDesign)\EnviroDesign Team Folder\Current\2017-055 Cinergy Amarillo\2017-055E26.dwg

ALL DRAWINGS AND WRITTEN MATERIAL APPEARING HEREIN CONSTITUTE ORIGINAL AND UNPUBLISHED WORK OF THE ENGINEER AND MAY NOT BE DUPLICATED, USED OR DISCLOSED WITHOUT WRITTEN CONSENT OF ENVIRODESIGN, INC. © 2017 ENVIRODESIGN, INC. ALL RIGHTS RESERVED.

Amarillo - BUILDING LIGHT FIXTURE SCHEDULE

Table with columns for Description, Downlights, Lamp Information, and Remarks. Includes rows for various downlight fixtures like HALO H99T, HALO H99T PAR20, HALO H99T PAR30, etc.

Linear / Troffers

Table with columns for Description, Lamp Information, and Remarks. Includes rows for linear fixtures like ACRYLIC WHITE, ACRYLIC BLACK, SKIVER, etc.

Track / Task / Surface

Table with columns for Description, Lamp Information, and Remarks. Includes rows for track fixtures like DUAL HEAD, CHAIR OR POST MOUNTED LED ASH LIGHT, etc.

Exterior

Table with columns for Description, Lamp Information, and Remarks. Includes rows for exterior wall packs like BRONZE, BRONZE, BRONZE, etc.

Emergency / Exit Signs

Table with columns for Description, Lamp Information, and Remarks. Includes rows for emergency lighting like EMERGENCY BATTERY PACK WITH (2) 12V ADJUSTABLE LED HEADS, etc.

LUMINAIRE SCHEDULE NOTES:

- 1. DEVICES ARE TO BE SPECIFICATION GRADE ONLY.
2. ALL LAMPS ARE TO BE HIGH CRI WHERE APPLICABLE.
3. HPT FACTOR BALLASTS ONLY WHERE APPLICABLE.
4. BATTERY PACKS ARE TO BE FACTORY INSTALLED WHERE APPLICABLE.
5. COORDINATE EXACT FIXTURE TRIM WITH ARCHITECTURAL DRAWINGS FOR LAY-IN OR CYP-BD MOUNTING.
6. CONTRACTOR TO FURNISH 10% SPARE LUMPS OF EACH LAMP TYPE UPON SUBSTANTIAL COMPLETION.
7. NO SUBSTITUTIONS.
8. CONTRACTOR TO FURNISH OSRAM SYLVANIA, PHILIPS OR GE LAMPS AND SUBMIT CUT SHEETS ON LAMPS.
9. CONTRACTOR TO FURNISH AND INSTALL ALL LAMPS.
10. ALL FIXTURES TO BE FURNISHED WITH HANGERS AND/OR SUPPORTS.
11. ALL FLUORESCENT TROFFERS TO BE FURNISHED WITH 6 FT WHIPS.
12. REFER TO BATTERY SCHEDULE FOR MORE SPECIFICATIONS.
13. ALL 2x2 AND 2x4 LIGHT FIXTURES SHALL BE SECURED TO THE GRID OR CEILING FRAME AND SUSPENDED FROM THE STRUCTURE.
14. EQUAL FIXTURES BY LITHONIA, LIGHTOLIER, THOMAS INC. ARE ACCEPTABLE.
15. LIGHTING SUPPLIER TO FURNISH INVERTORS WITH LIGHTING PACKAGE

INVERTOR SCHEDULE (interior)

Table with columns for INVERTOR Designation, Serves, Circuit Number, Output Breakers, Input Breaker, and Model. Lists various interior inverter units.

SPECIFICATIONS: Emergency lighting shall be provided by inverter unit equipment designed to operate designated incandescent, fluorescent and LED fixtures on emergency power at their full nominal lumen rating during the full 90 minutes emergency discharge cycle.

SPECIFICATIONS: TRANSFER TIME Less than 1 second. VOLTAGE REGULATION ON EMERGENCY: +/- 3%. FREQUENCY REGULATION ON EMERGENCY: 60 Hz +/- 1%.

INVERTOR SCHEDULE (EXTERIOR)

Table with columns for INVERTOR Designation, Serves, Circuit Number, Output Breakers, Input Breaker, and Model. Lists various exterior inverter units.

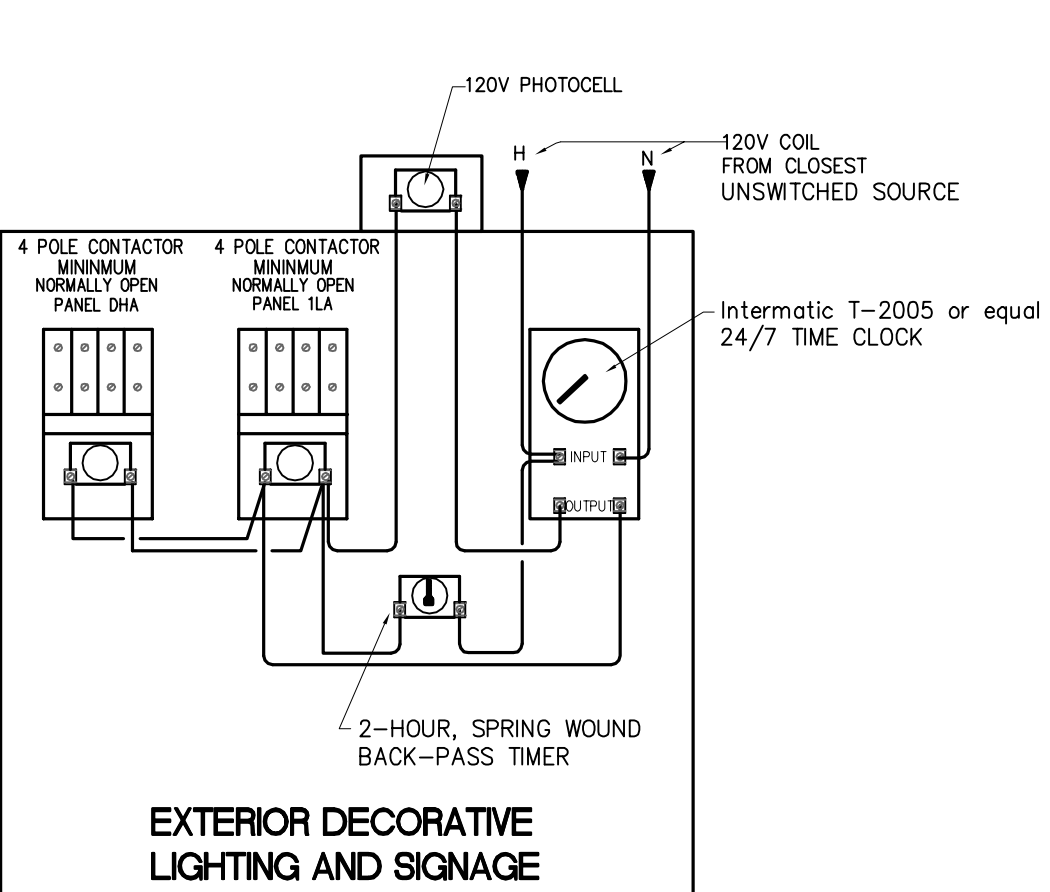
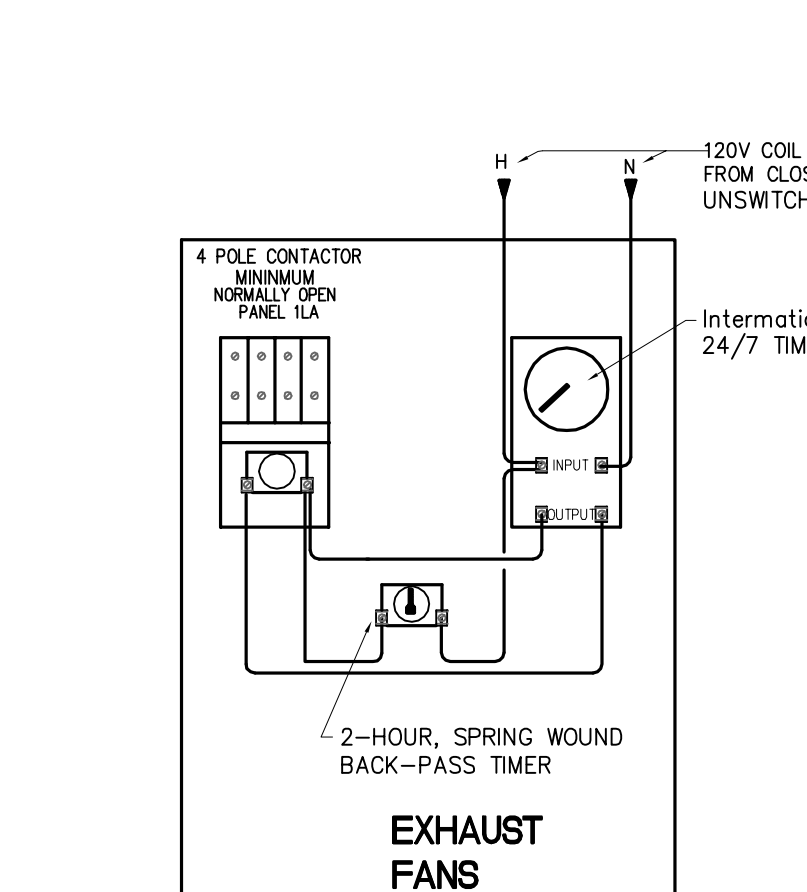
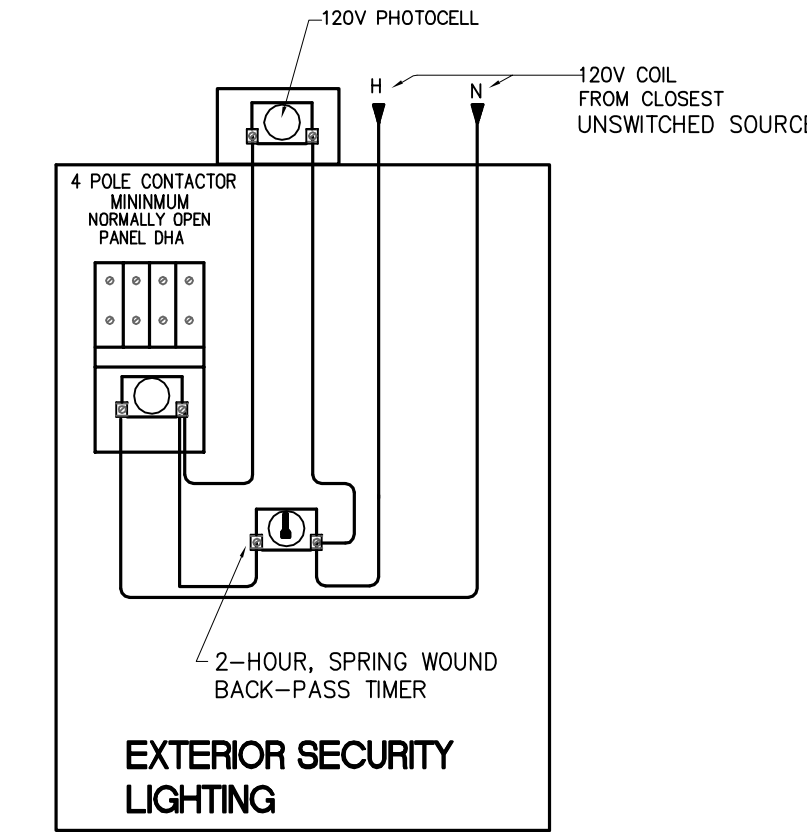
INVERTORS TO BE FURNISHED WITH THE LIGHT FIXTURE PACKAGE. INVERTORS TO BE COMPATIBLE WITH THE LOAD SERVED. SUBMIT ALTERNATE MANUFACTURER INVERTORS FOR PRE-APPROVAL.

SPECIFICATIONS: TRANSFER TIME Less than 1 second. VOLTAGE REGULATION ON EMERGENCY: +/- 3%. FREQUENCY REGULATION ON EMERGENCY: 60 Hz +/- 1%.

Inverter to receive 100% quality inspection before shipment from the factory to insure proper and satisfactory operation.

EXTERIOR LTG. SIGNAGE + EXHAUST FAN CONTACTOR SCHEDULE

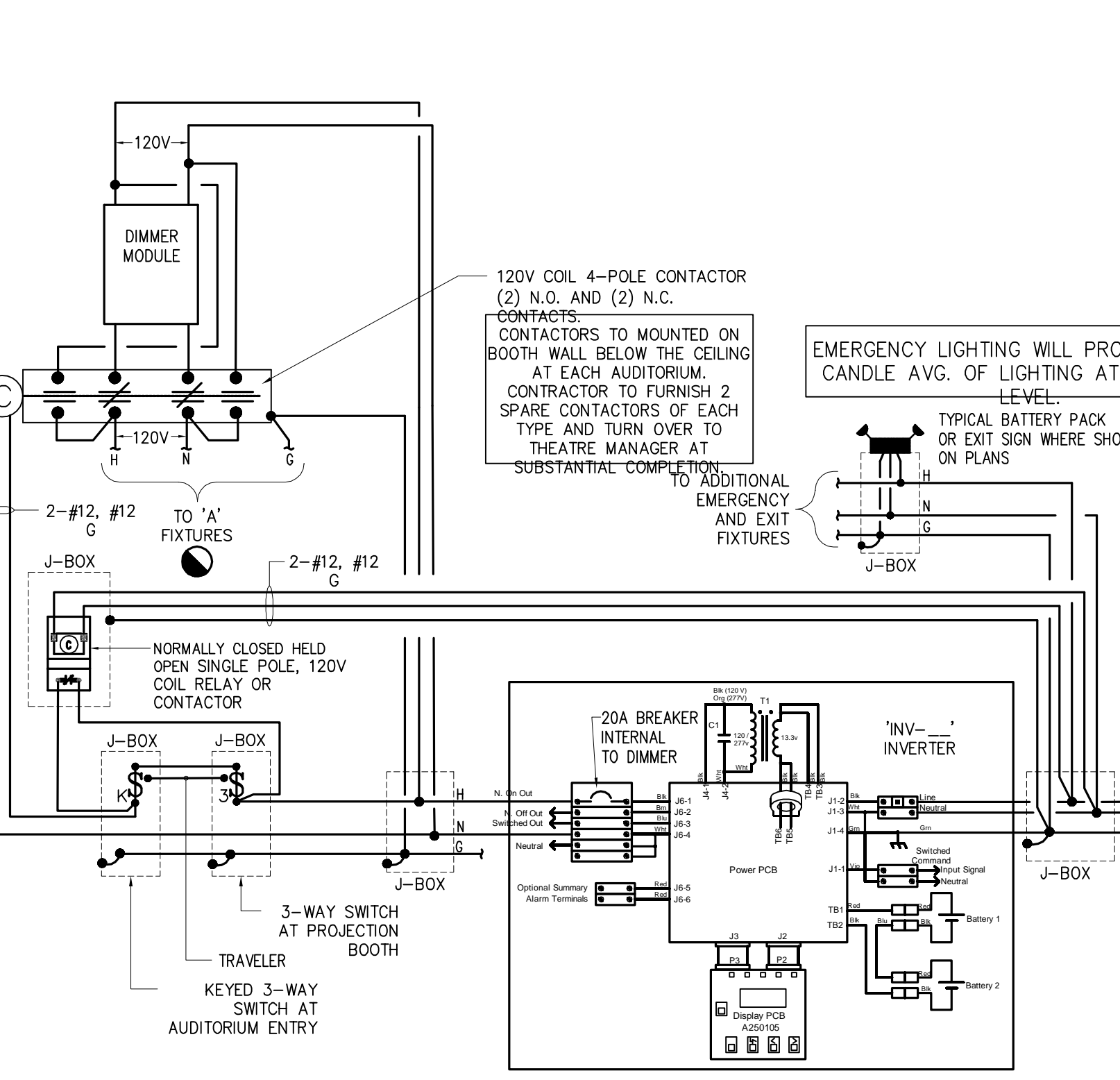
Table with columns for PANEL, CONTROL SCHEDULE, CIRCUIT NUMBERS, and REMARKS. Lists exterior lighting and fan control schedules.



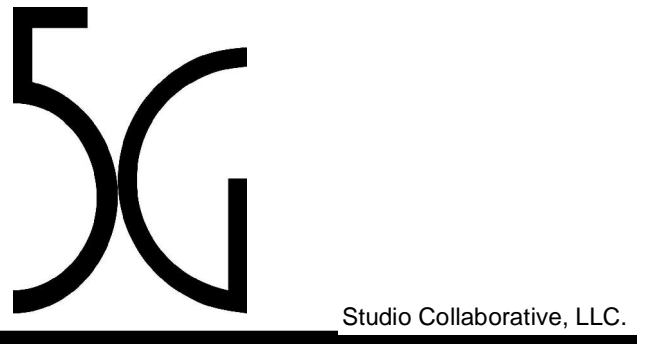
ALL TIMERS TO BE CLEARLY LABELED. ALL TIMERS AND CONTACTORS TO BE CONSOLIDATED AT ONE LOCATION ADJACENT TO PANEL 'DHA'.

EXTERIOR LIGHTING/SIGNAGE CONTACTOR SCHEDULE

Table with columns for Dimmer Number, Serves, Serves Fixture Types, Dimmer Type, Circuit Number, Dimmer Breaker, Dimmer Module, Watts Per Module, and Type 'A8B' Fixtures. Lists exterior lighting and signage schedules.



02 AUD. EMERG. LIGHTING WIRING DETAIL



800 Jackson | Suite 600 | Dallas, TX 75202
260 Peachtree Street | Suite 500 | Atlanta, GA 30303

ARCHITECT
5G Studio Collaborative, LLC.
800 Jackson St., Suite 600
Dallas, TX 75202
Rick Walker - 214.670.0050

STRUCTURAL ENGINEER
L.A. Fues Partners Engineers
3333 Lee Parkway, Suite 300
Dallas, TX 75219
Jeff Tracy - 214.811.0710

MEP ENGINEER
EnviroDesign, Inc.
900 Ranch Rd 6200 So., Suite C101-301
Austin, TX 78738
Sam Patton - 512.693.9015
Leas #2 Form Number 1-2847



DRAWINGS & SPECIFICATIONS ARE THE PROPERTY OF ENVIRODESIGN. COPIES OF THE DRAWINGS & SPECIFICATIONS RETAINED BY THE CLIENT MAY BE UTILIZED ONLY FOR HIS USE & FOR OCCUPANCY OF THE PROJECT FOR WHICH THEY WERE PREPARED, & NOT FOR THE CONSTRUCTION OF ANY OTHER PROJECT.

Table with columns for REV, DATE, PERMIT ISSUE, and ISSUE. Shows revision 5/12/17 PERMIT ISSUE and 5/24/17 ISSUE FOR BID.

CINERGY AMARILLO
SHEET DESCRIPTION
FIXTURE SCHEDULE
ATCS SCHEDULE

2016-151 PROJECT NUMBER
E2.6 SHEET NUMBER