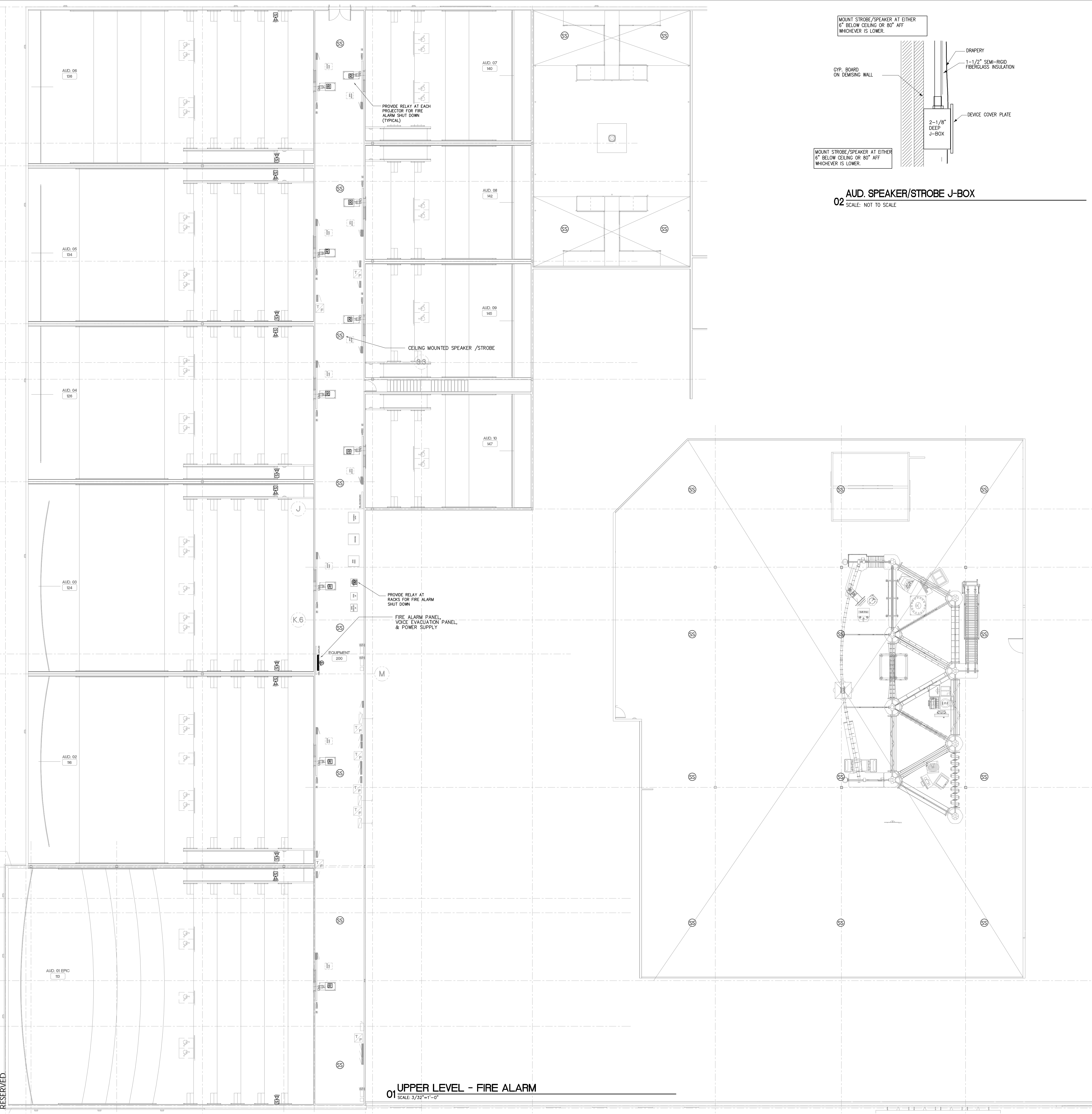
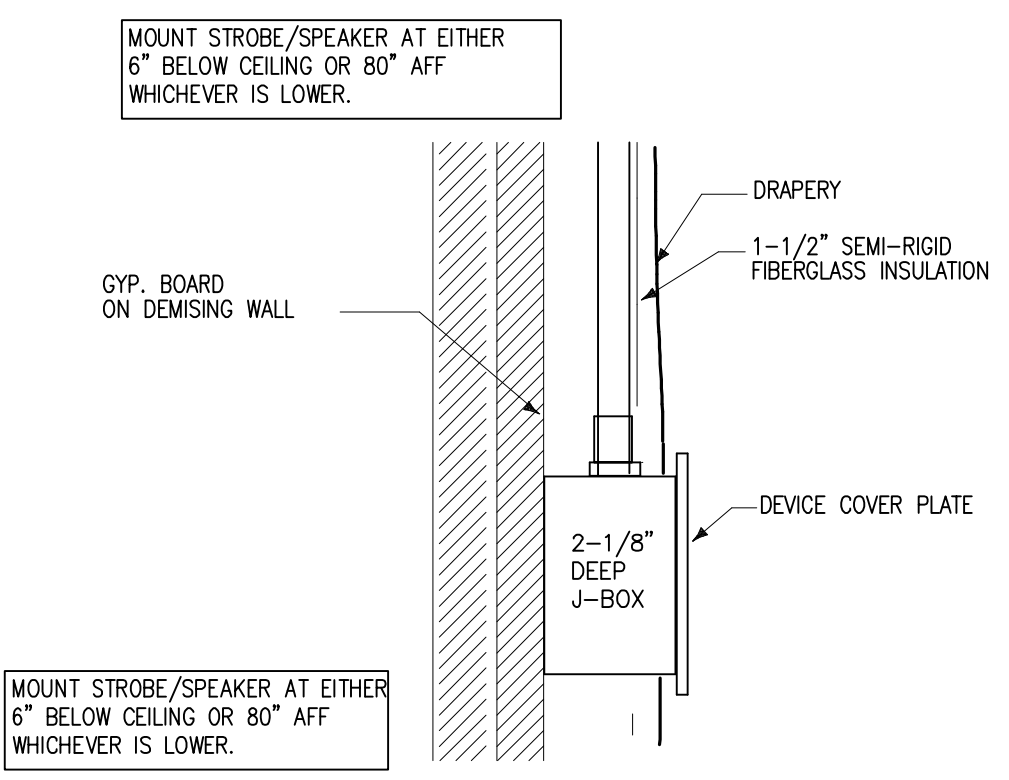


Plotted By: Dan Habetter 24 May, 2017 Drawing File: E:\Dropbox (EnviroDesign)\EnviroDesign Team Folder\Current\2017-055 Cinergy Amarillo\2017-055E102.dwg

ALL DRAWINGS AND WRITTEN MATERIAL APPEARING HEREIN CONSTITUTE ORIGINAL AND UNPUBLISHED WORK OF THE ENGINEER AND MAY NOT BE DUPLICATED, USED OR DISCLOSED WITHOUT WRITTEN CONSENT OF ENVIRODESIGN, INC. © 2017 ENVIRODESIGN, INC. ALL RIGHTS RESERVED.



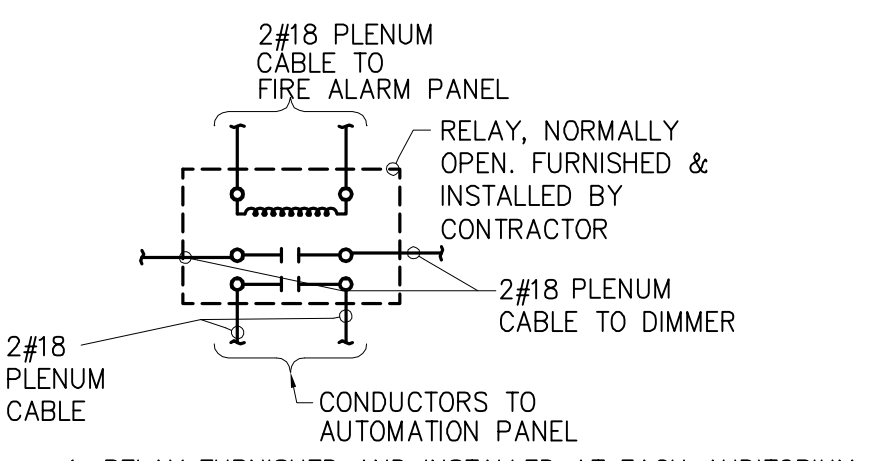
01 UPPER LEVEL - FIRE ALARM
SCALE: 1/32"=1'-0"



02 AUD. SPEAKER/STROBE J-BOX
SCALE: NOT TO SCALE

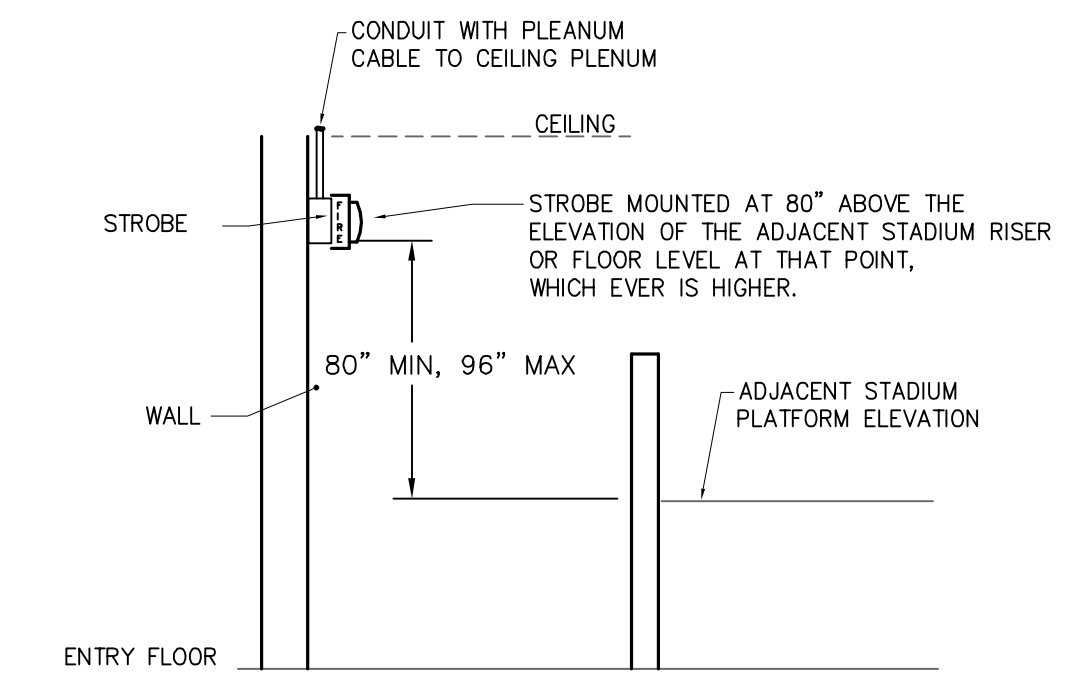
NOTE: THIS SHEET IS FOR REFERENCE ONLY, A SEPARATE SHOP DRAWING SUBMITTAL, REVIEW, AND PERMIT IS REQUIRED FOR THE FIRE ALARM SYSTEM

- FIRE ALARM:**
1. FIRE ALARM SPEAKER/STROBES SHALL BE MOUNTED AT 80" ABOVE THE HIGHEST FLOOR IN THE SPACE LEVEL OR 6" BELOW THE CEILING, WHICHEVER IS LOWER. (WHERE APPLICABLE)
 2. CONTRACTOR TO PROVIDE ELECTRICAL CONNECTION TO FIRE/SMOKE DAMPERS. VERIFY LOCATION AND QUANTITY WITH MECHANICAL CONTRACTOR. PROVIDE TRANSFORMERS AS REQUIRED.
 3. ALL SMOKE DETECTORS ARE TO BE BLACK IN BLACK CEILING AND WHITE IN WHITE CEILING.
 4. ALL SPEAKER/STROBES ARE RED, WALL MOUNTED.
 5. THERE ARE ON "SPEAKER" ONLY DEVICES.

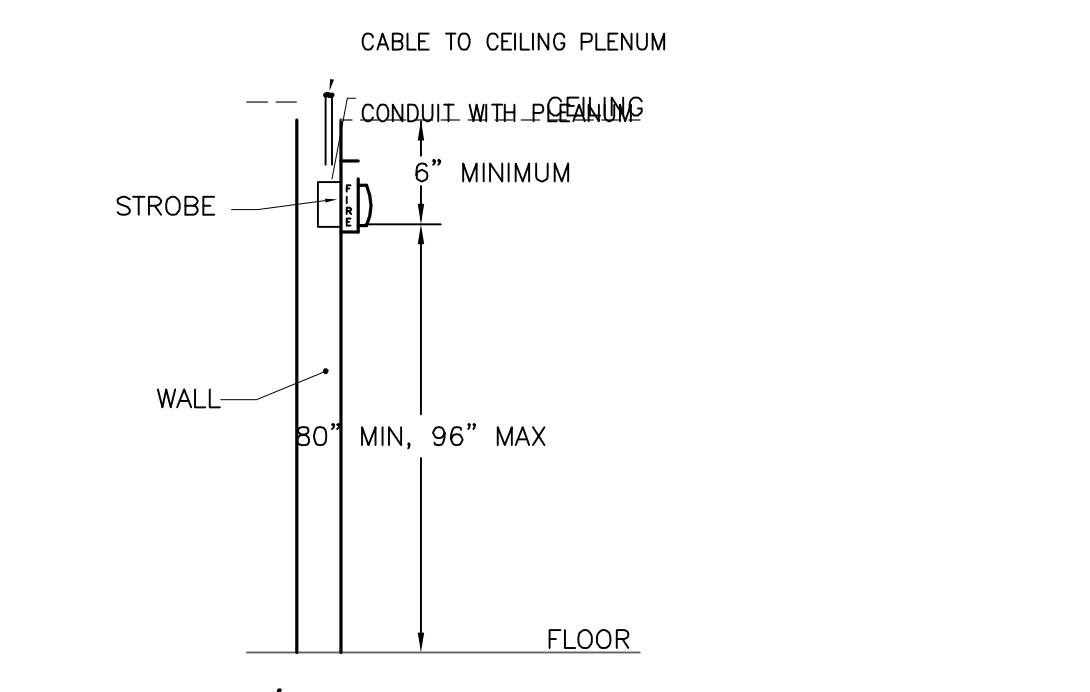


- NOTES:
1. RELAY FURNISHED AND INSTALLED AT EACH AUDITORIUM AUTOMATION PANEL AS INDICATED ON MATRIX
 2. LOW CURRENT INTEGRATED RELAY/SOCKET ASSEMBLY. SUBMIT CUTSHEET FOR APPROVAL PRIOR TO PURCHASE.
 3. VERIFY WITH OWNER'S TECHNICIAN THE EXACT POINT OF TERMINATION WITHIN THE AUTOMATION PANEL.

05 FIRE ALARM SHUTDOWN
SCALE: NO SCALE



05 SPEAKER/STROBE MOUNTING DETAIL - AUDITORIUMS
SCALE: NOT TO SCALE



04 SPEAKER/STROBE MOUNTING DETAIL - NON-AUDITORIUM AREAS
SCALE: NOT TO SCALE



800 Jackson | Suite 600 | Dallas, TX 75202
260 Peachtree Street | Suite 500 | Atlanta, GA 30303

ARCHITECT
EG Studio Collaborative, LLC.
800 Jackson St., Suite 600
Dallas, TX 75202
Rick Walker - 214.670.0050

STRUCTURAL ENGINEER
L.A. Fuss Partners Engineers
3333 Lee Parkway, Suite 300
Dallas, TX 75219
Jeff Tracy - 214.811.0110

MEP ENGINEER
EnviroDesign, Inc.
900 Ranch Rd 620 So., Suite C101-301
Austin, TX 78738
Sam Patton - 512.693.9015
Texas PE Firm Number 1-3847



24 May 2017

REVISIONS & SPECIFICATIONS ARE THE PROPERTY OF ENVIRODESIGN. COPIES OF THE DRAWINGS & SPECIFICATIONS RETAINED BY THE CLIENT MAY BE UTILIZED ONLY FOR HIS USE & FOR OCCUPANCY OF THE PROJECT FOR WHICH THEY WERE PREPARED, & NOT FOR THE CONSTRUCTION OF ANY OTHER PROJECT.

REV.	DATE	PERMIT ISSUE	ISSUE
5/12/17		PERMIT ISSUE	
5/24/17		ISSUE FOR BID	

CINERGY AMARILLO

SHEET DESCRIPTION
UPPER LEVEL FLOOR PLAN
FIRE ALARM

2016-151 PROJECT NUMBER

E10.2 SHEET NUMBER