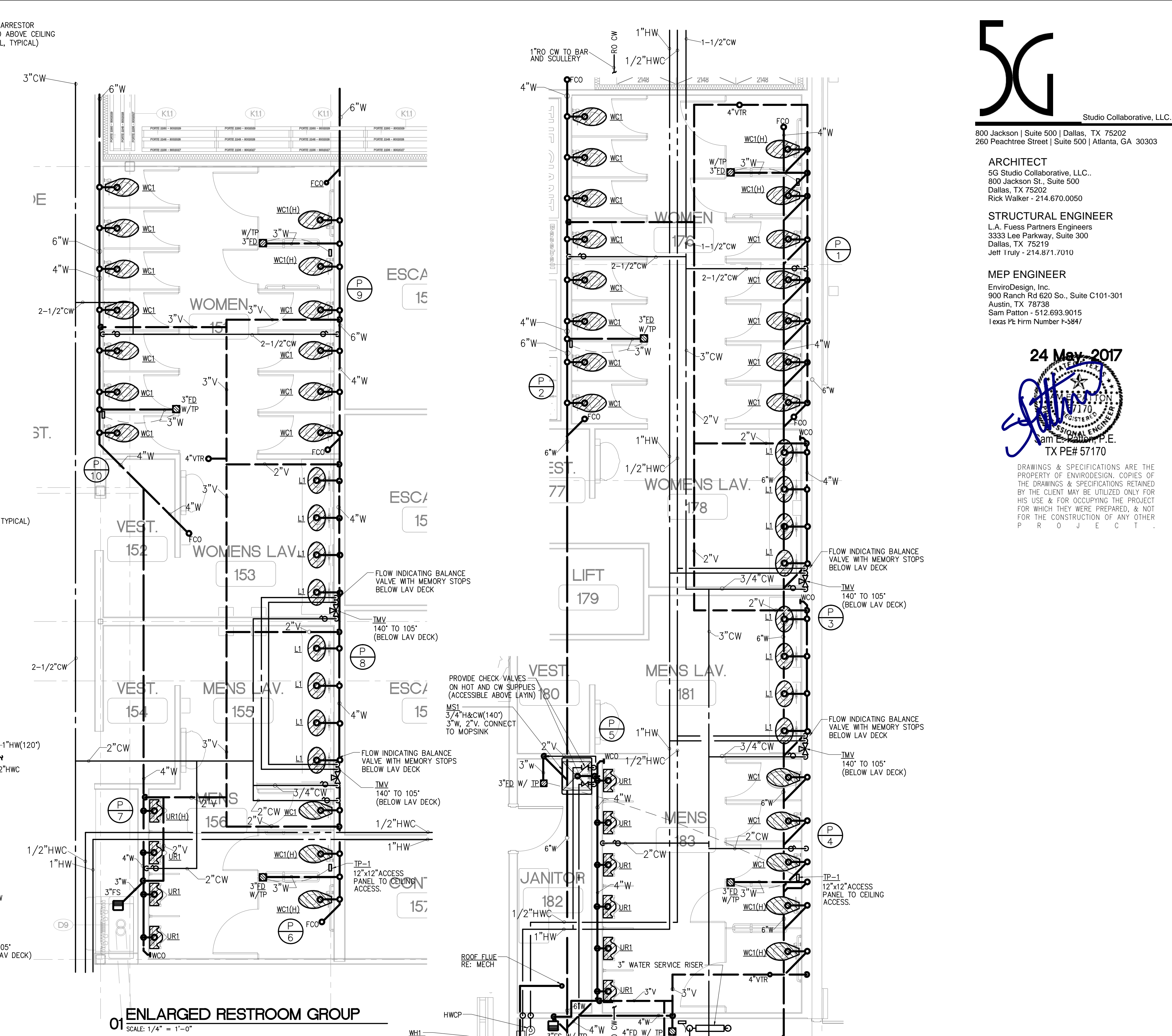
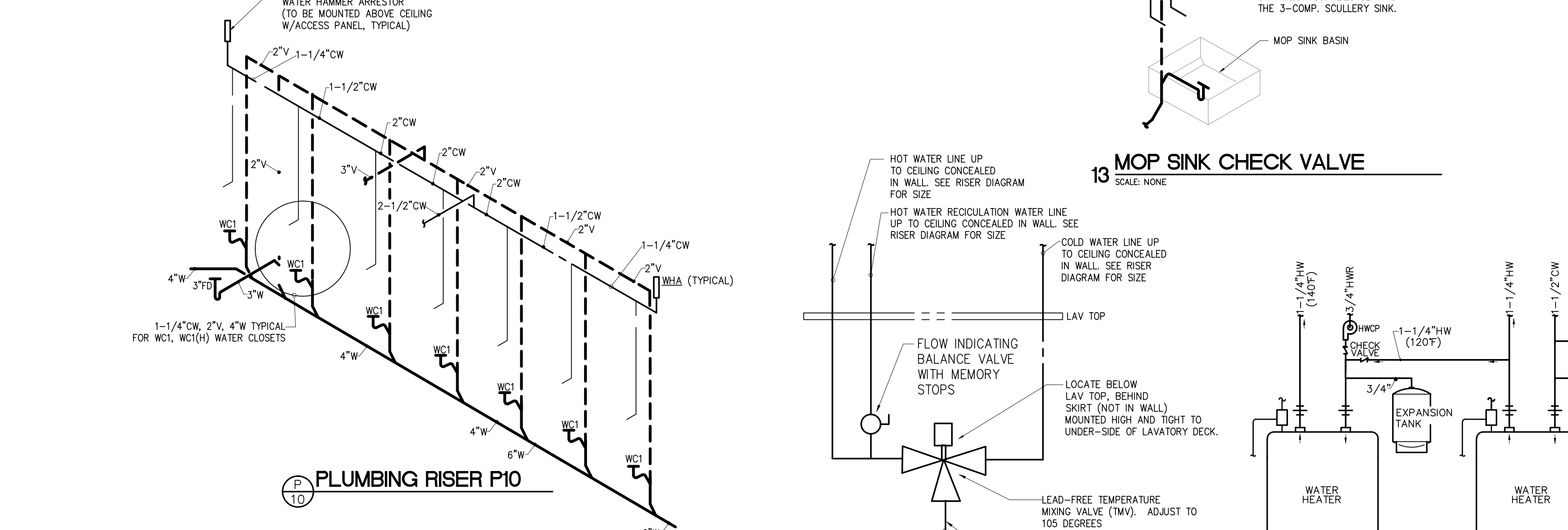
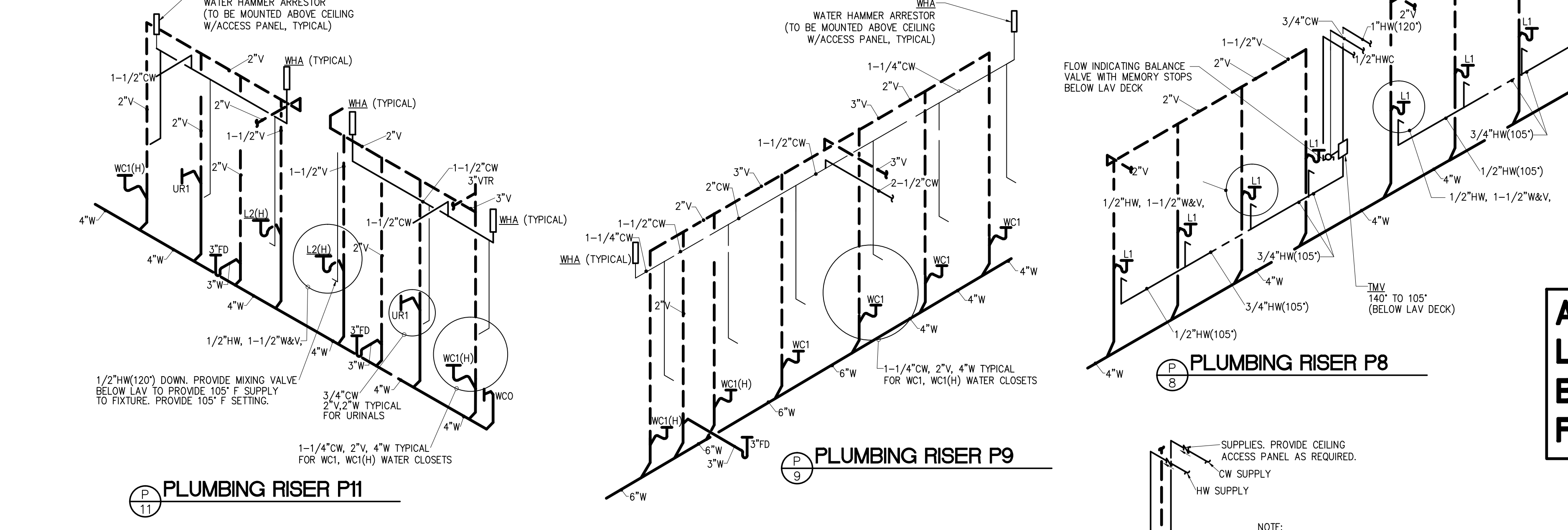
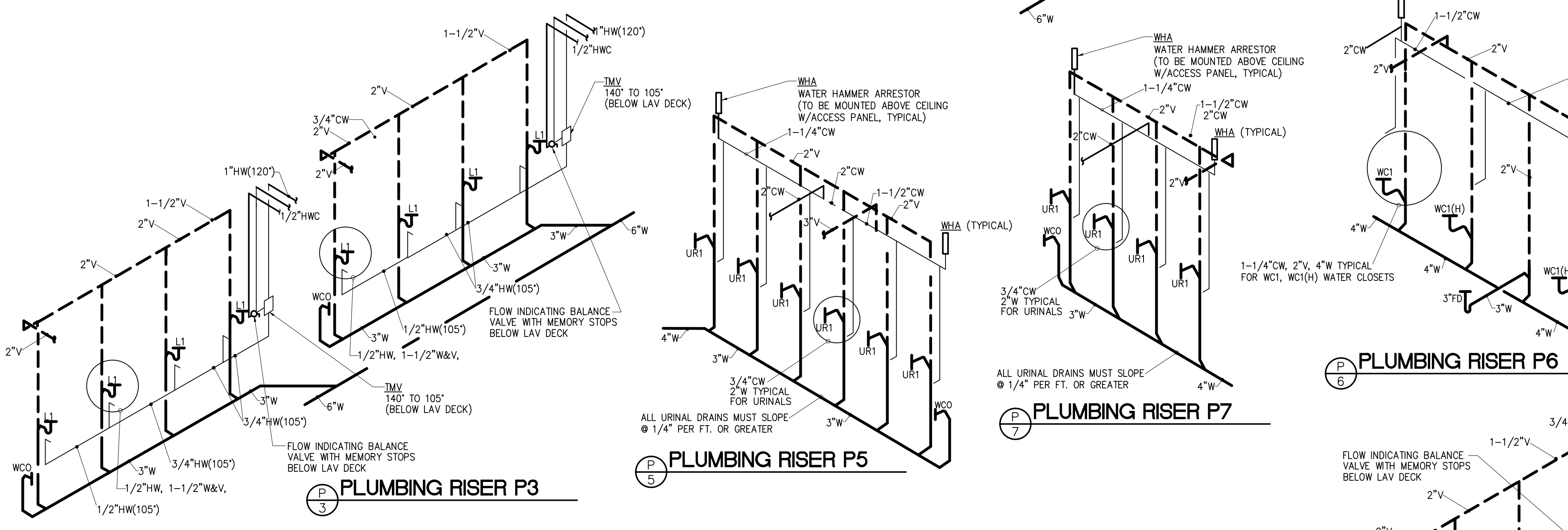
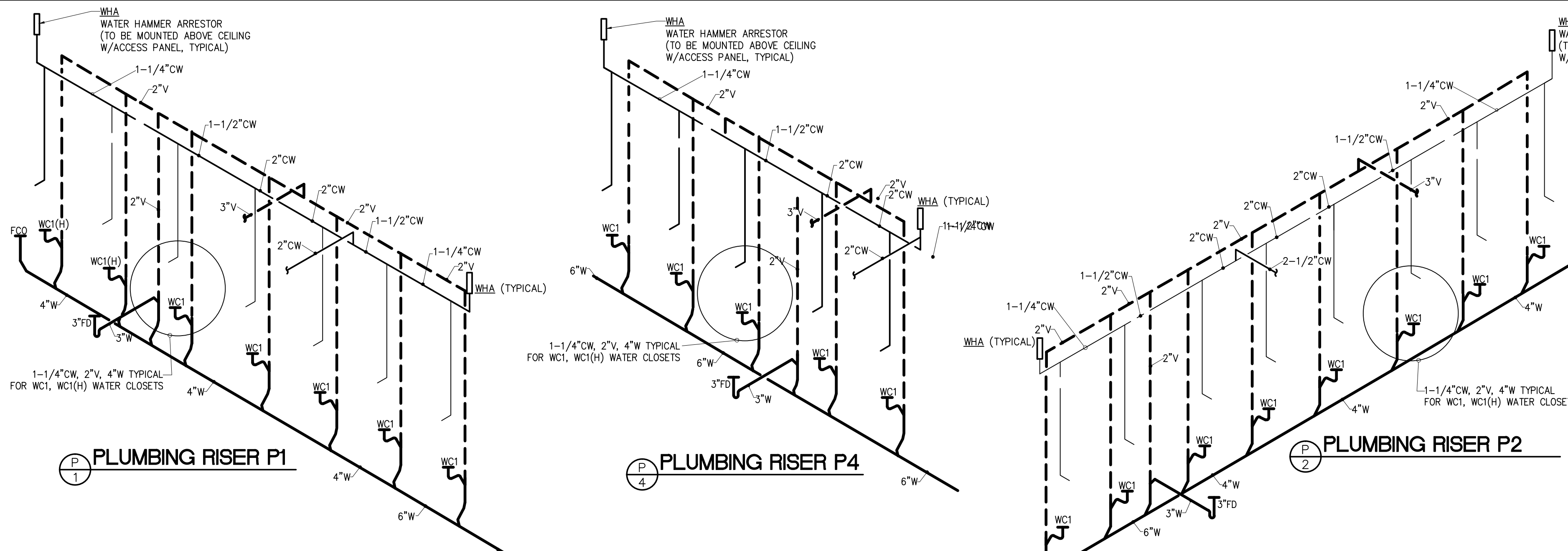


DRAWINGS & SPECIFICATIONS ARE THE PROPERTY OF ENVIRODESIGN. COPIES OF THE DRAWINGS & SPECIFICATIONS RETAINED BY THE CLIENT MAY BE UTILIZED ONLY FOR HIS USE & FOR OCCUPANCY OF THE PROJECT FOR WHICH THEY WERE PREPARED, & NOT FOR THE CONSTRUCTION OF ANY OTHER PROJECT.

ALL DRAWINGS AND WRITTEN MATERIAL APPEARING HEREIN CONSTITUTE ORIGINAL AND UNPUBLISHED WORK OF THE ENGINEER AND MAY NOT BE DUPLICATED, USED OR DISCLOSED WITHOUT WRITTEN CONSENT OF ENVIRODESIGN, INC. © 2017 ENVIRODESIGN, INC. ALL RIGHTS RESERVED.
 Plotted By: ggrand 24 May, 2017 Drawing File: F:\Dropbox (EnviroDesign)\EnviroDesign Team Folder\Current\2017-055 Cinergy Amarillo\2017-055P41.dwg



ALL SANITARY SEWER LINES IN RESTROOMS TO BE SLOPED AT 1/4" PER FOOT

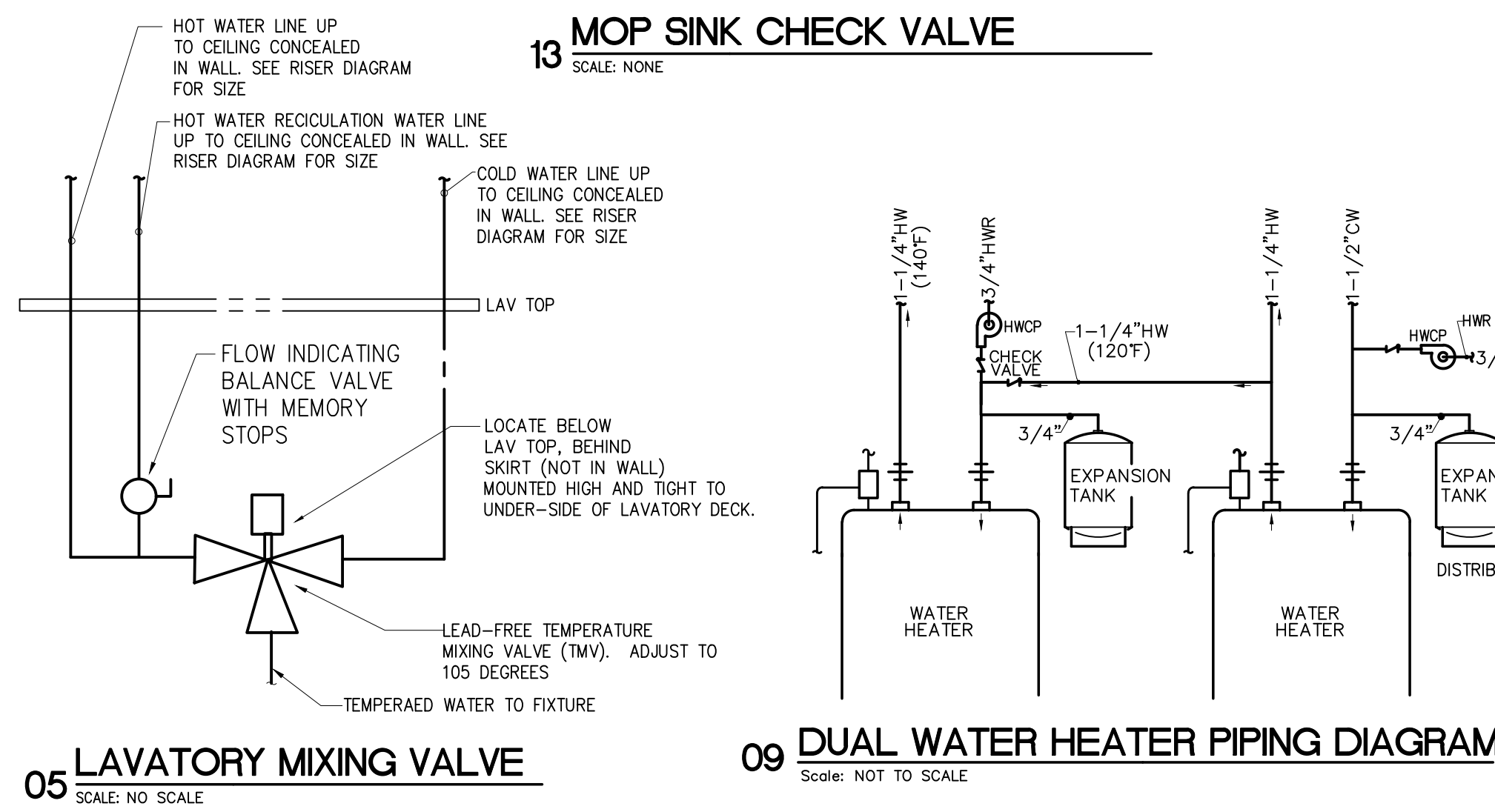
- PLUMBING GENERAL NOTES:**
- FOR EACH RESTROOM FIXTURE BANK, LOCATE ISOLATION VALVES ABOVE LAY-IN CEILING OR ACCESS PANEL.
 - IMMEDIATELY PRIOR TO PROJECT TURN OVER TO THE OWNER, ROD, FLUSH AND THEN VIDEO THE MAIN SANITARY SEWER LINES. TURN OVER A CD OR DVD OF THE VIDEO TO THE OWNER'S PROJECT MANAGER.
 - ALL WATER CLOSET ROUGH-INS SHALL BE 4" WITH NO REDUCTIONS OR 3" WASTE ROUGH-INS.
 - FLUSH VALVE IN THE HANDICAPPED STALLS ARE TO BE PLACED ON THE WIDE SIDE OF THE STALL.
 - VERIFY FOOTING LOCATIONS & HEIGHTS WITH PLUMBING LAYOUT PRIOR TO INSTALLING WASTE & VENT LINES.
 - TRAP PRIMERS ARE TO BE INSTALLED IN ALL FLOOR DRAINS AND SINKS.
 - THE CONTRACTOR SHALL COORDINATE WITH THE GENERAL CONTRACTOR AND THE ARCHITECTURAL DRAWINGS FOR EXACT FLOOR DRAIN LOCATIONS WITH RESPECT TO FLOOR SLOPES SHOWN BY ARCHITECTURAL DRAWINGS.
 - NO PVC IS TO BE USED IN RETURN AIR PLENUMS. PRACTICALLY THE ENTIRE PROJECT IS COMPRISED OF RETURN AIR PLENUMS.
 - IN THE AUDITORIUMS, ONLY CAST IRON IS TO BE USED FOR SANITARY WASTE, VENT AND STORM WATER PIPING.

MINIMUM FIXTURE CONNECTION SCHEDULE

NAME OF FIXTURE	C.W.	H.W.	TRAP SIZE	WASTE	VENT	REMARKS
WATER CLOSET	1"	-	-	4"	3"	FLUSH VALVE
URINAL	3/4"	-	2"	2"	2"	WASHOUT
LAVATORY	1/2"	1/2"	1 1/4"	1 1/2"	1 1/2"	
COUNTER SINK	1/2"	1/2"	1 1/2"	2"	1 1/2"	
JANITOR SINK/MOP SINK	1/2"	1/2"	3"	3"	2"	
FLOOR DRAIN/FLOOR SINK	-	-	3"	4"	2"	UNLESS OTHERWISE NOTED

REV. DATE

DATE	PERMIT ISSUE	ISSUE
5/12/17	PERMIT ISSUE	
5/24/17	ISSUE FOR BID	



PROVIDE HOT, COLD, & TEMPERED WATER ISOLATION VALVES ABOVE THE LAY-IN CEILING FOR EACH RESTROOM GROUP. (TYPICAL)

NO CLEANOUTS TO BE EXPOSED TO PUBLIC VIEW. PROVIDE ALL CODE REQUIRED CLEANOUTS, BUT LOCATE OUT OF PUBLIC VIEW

WATER HAMMER ARRESTORS TO BE MOUNTED ABOVE CEILING

NOTE: LOCATE ISOLATION VALVES ABOVE LAY-IN CEILING OR ACCESS PANEL FOR EACH FIXTURE BANK
NO BATTERY VENTS!

- ALL WATER CLOSET ROUGH-INS SHALL BE 4" WASTE CONNECTIONS. NO 3" WASTE ROUGH-INS ARE ALLOWED.
- FLUSH VALVE IN THE HANDICAPPED STALLS ARE TO BE PLACED ON THE WIDE SIDE OF THE STALL.
- VERIFY FOOTING LOCATIONS & HEIGHTS WITH PLUMBING LAYOUT PRIOR TO INSTALLING WASTE & VENT LINES
- TRAP PRIMERS, DEEP SEAL TRAPS AND TRAP SEALS ARE TO BE INSTALLED IN ALL FLOOR DRAINS AND SINKS BY PLUMBING CONTRACTOR.