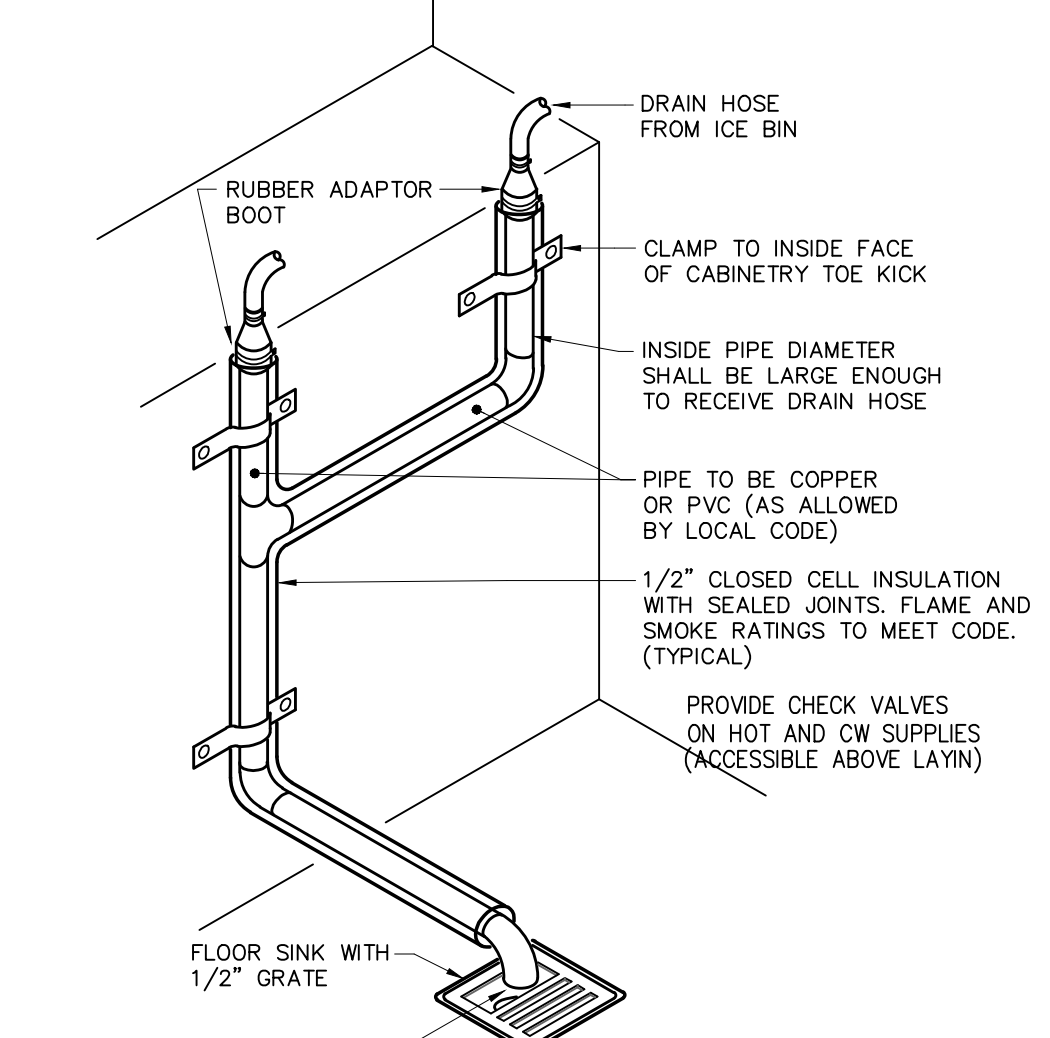
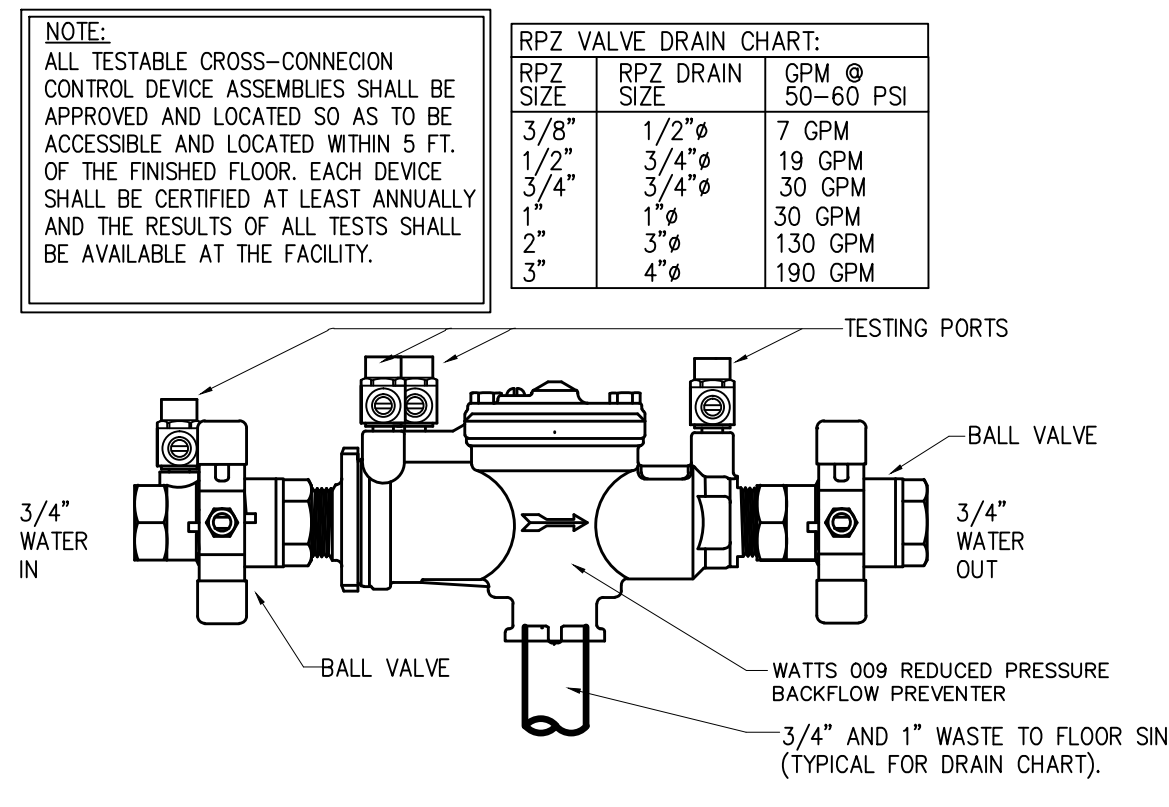


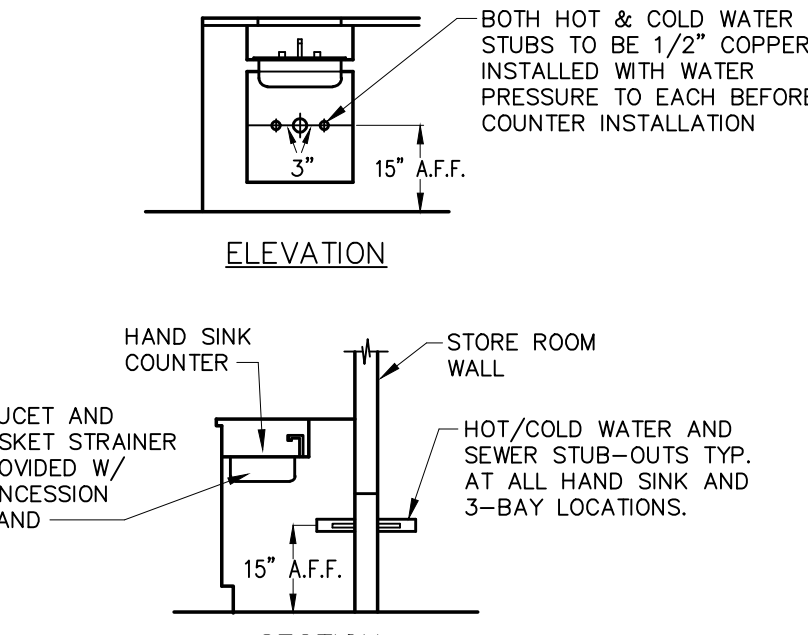
15 DRINK DISPENSOR BASE DETAIL
Scale: NOT TO SCALE



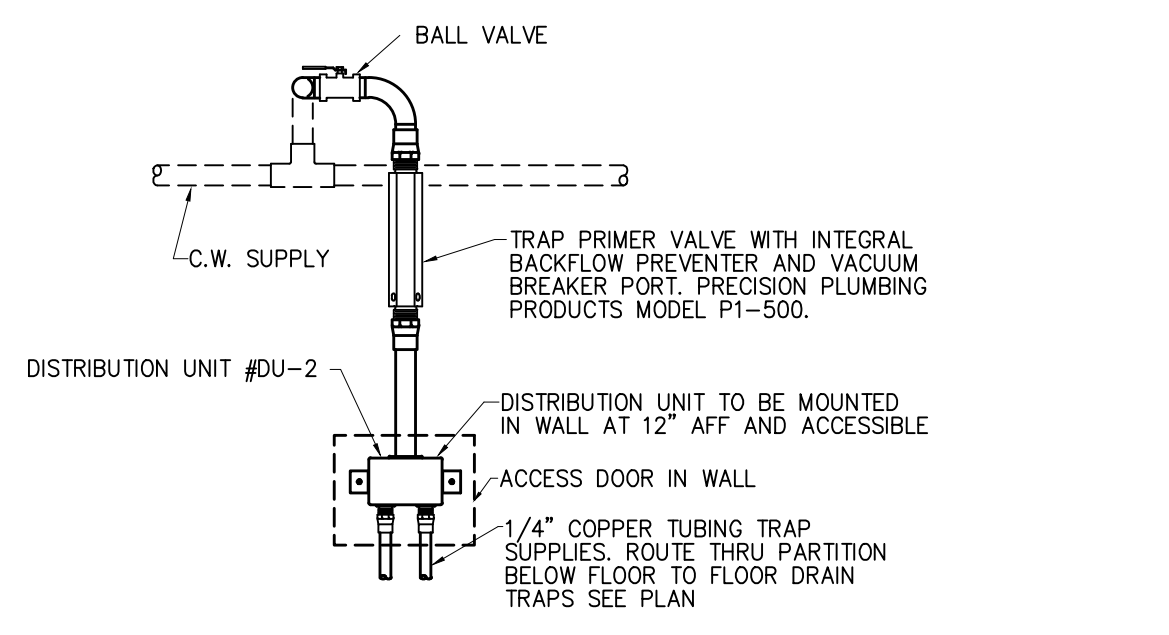
14 DRINK DISPENSOR DRAIN DETAIL
Scale: NONE



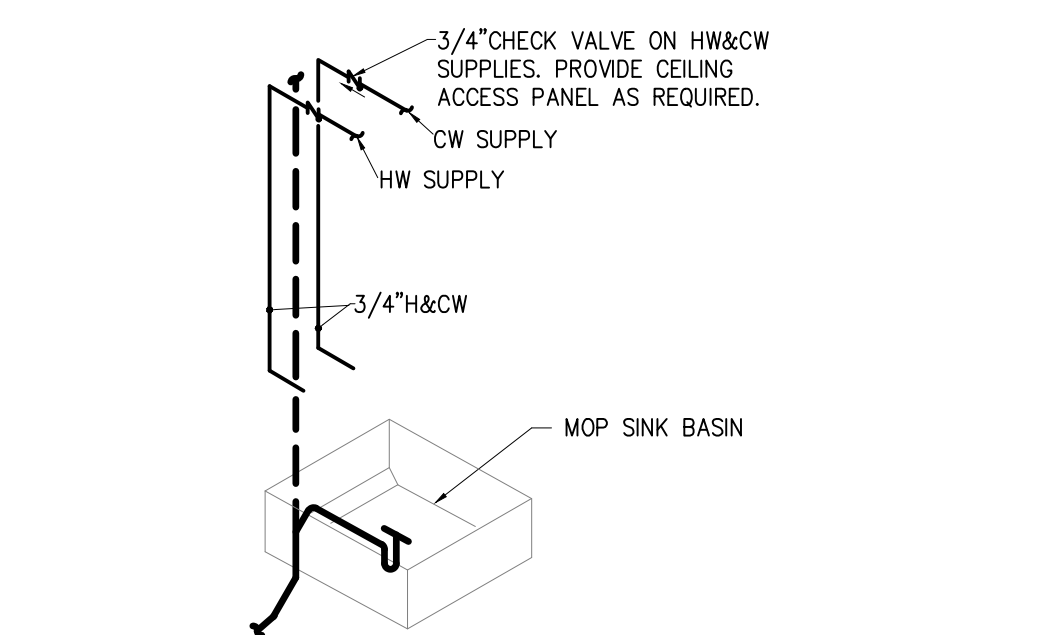
03 BACKFLOW PREVENTOR DETAIL
Scale: NOT TO SCALE



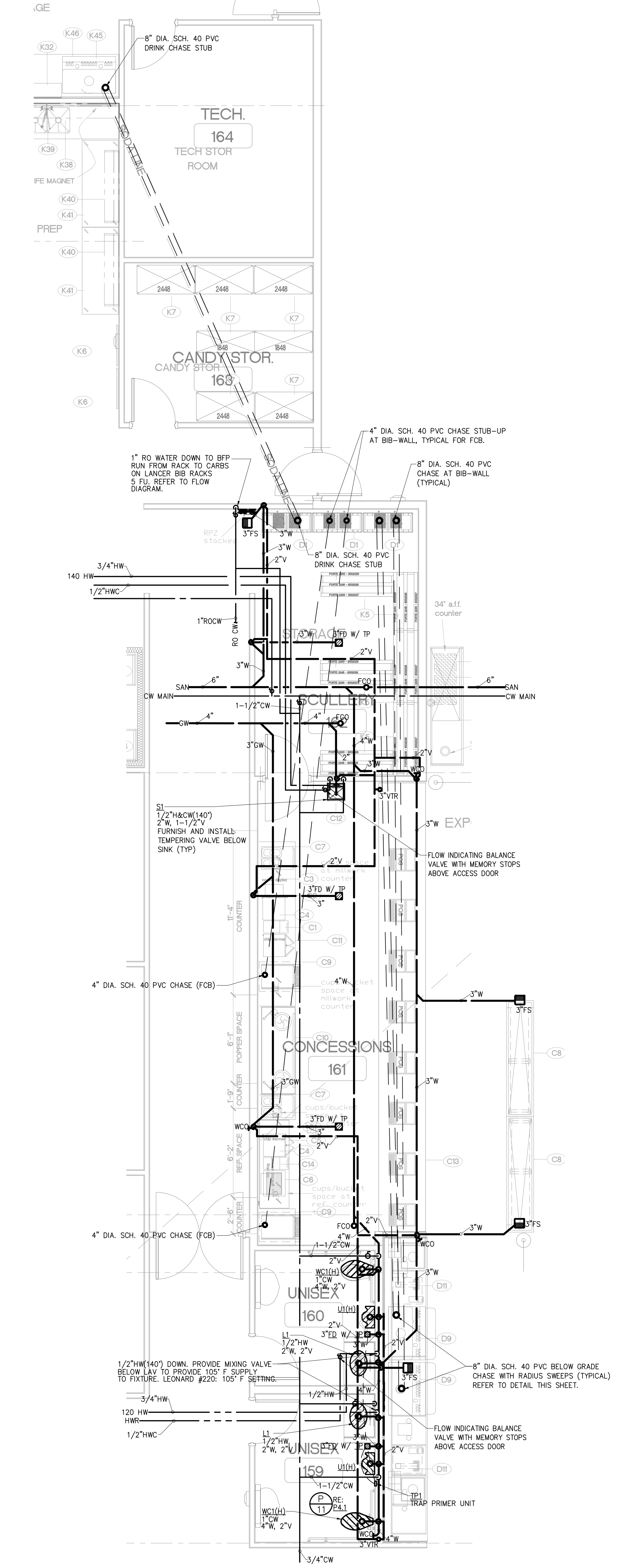
05 SINK S-1C DETAIL
Scale: NOT TO SCALE



07 PRIMER VALVE DETAIL
Scale: NONE



13 MOP SINK CHECK VALVE
Scale: NONE



01 ENLARGED CONCESSION PLAN - PLUMBING
Scale: 1/4" = 1'-0"

REV.	DATE	PERMIT ISSUE	ISSUE
5/12/17	5/12/17	PERMIT ISSUE	
5/24/17	5/24/17	ISSUE FOR BID	

CINERGY AMARILLO

SHEET DESCRIPTION
LOBBY CONCESSION
PLANS - PLUMBING