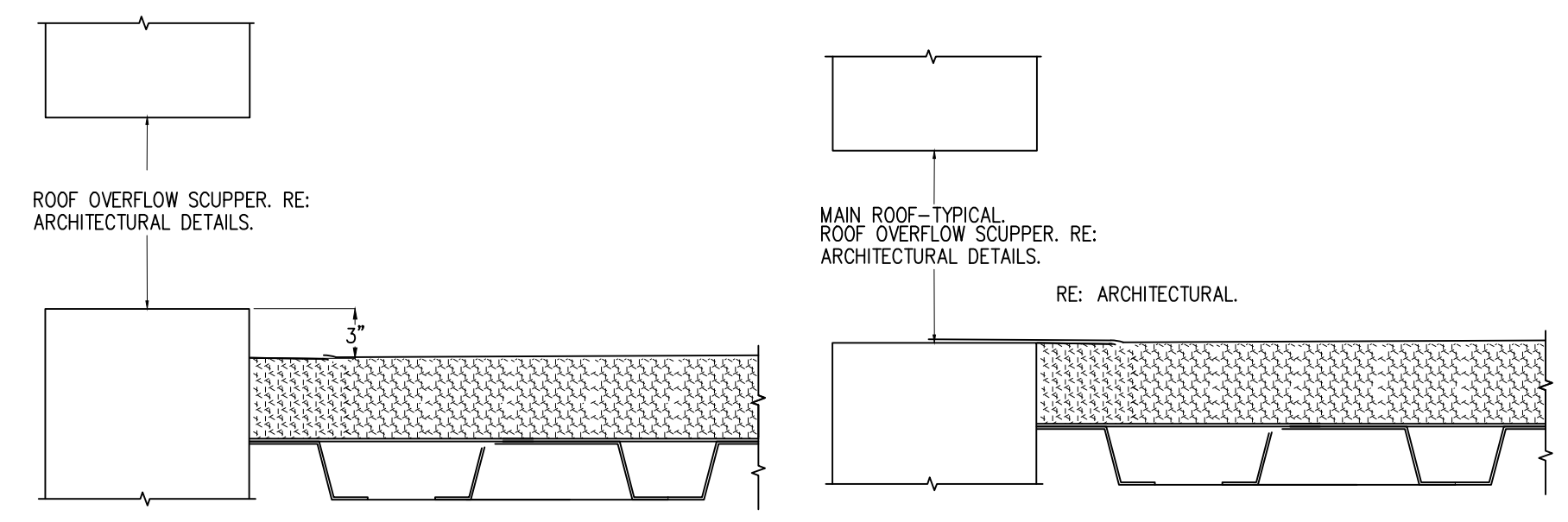
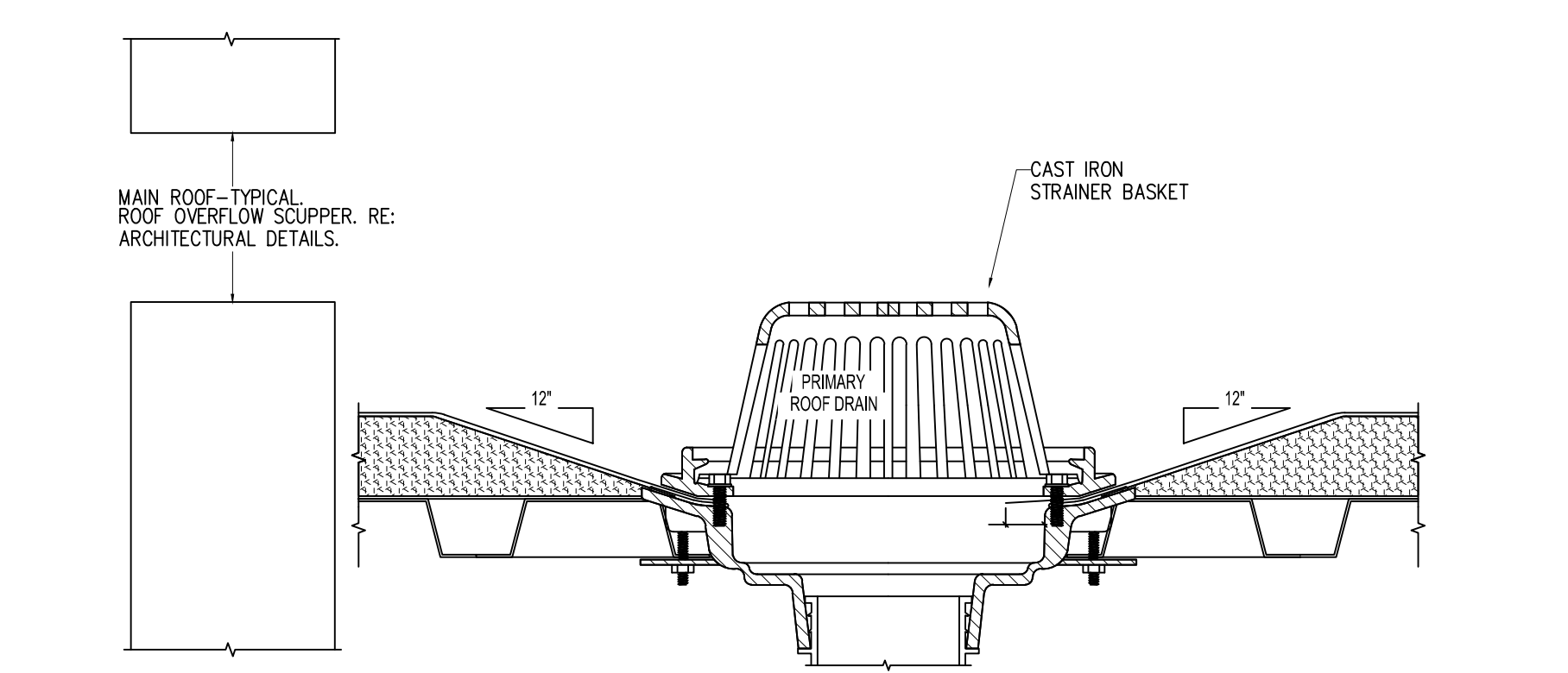


01 UPPER LEVEL PART B - PLUMBING
 SCALE: 3/32"=1'-0"
 COMPLETE FIRE SPRINKLER SHOP DRAWINGS MUST BE SUBMITTED TO THE CITY FOR APPROVAL.

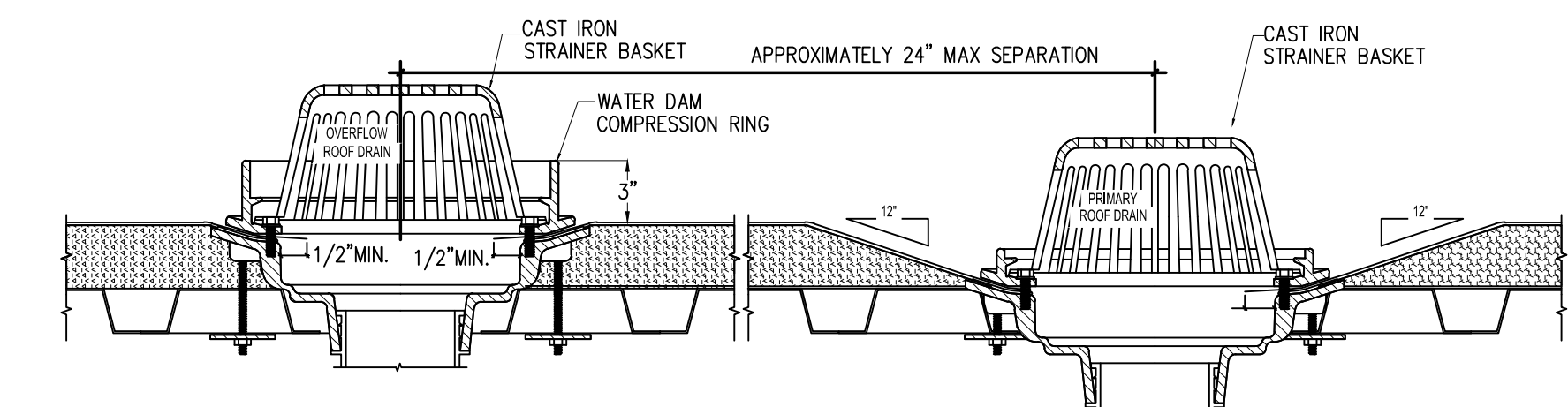
PLUMBING GENERAL NOTES:
 1. NO CLEANOUTS ARE TO BE EXPOSED TO PUBLIC VIEW. EXTEND WASTE LATERAL SO THAT CLEANOUTS ARE LOCATED IN STORAGE, JANITOR'S, ETC. ROOMS



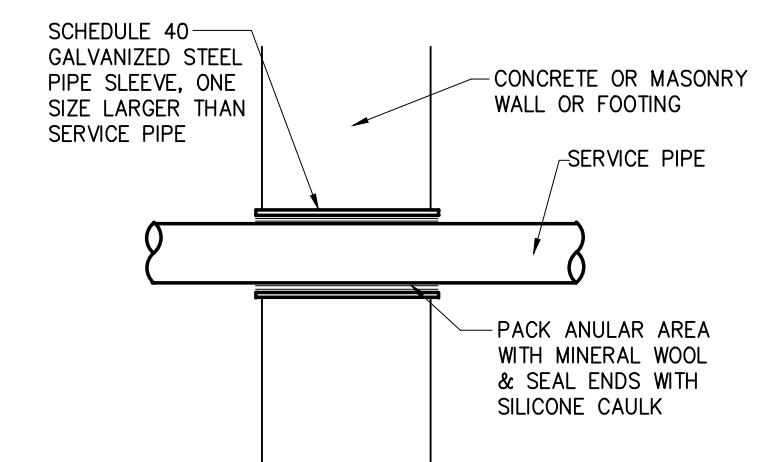
17 MAIN ROOF SCUPPER AND OVERFLOW INSTALLATION
 SCALE: NO SCALE



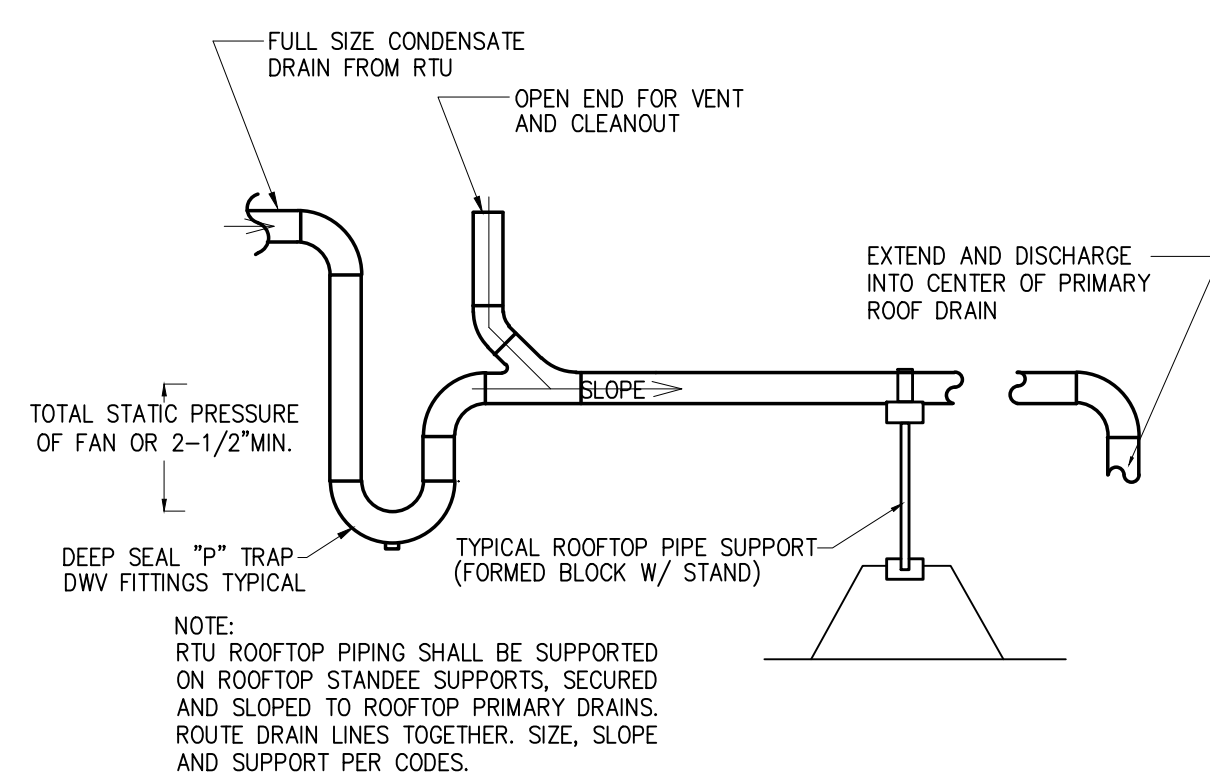
08 ROOF DRAIN INSTALLATION W/ OVERFLOW SCUPPER
 SCALE: NO SCALE



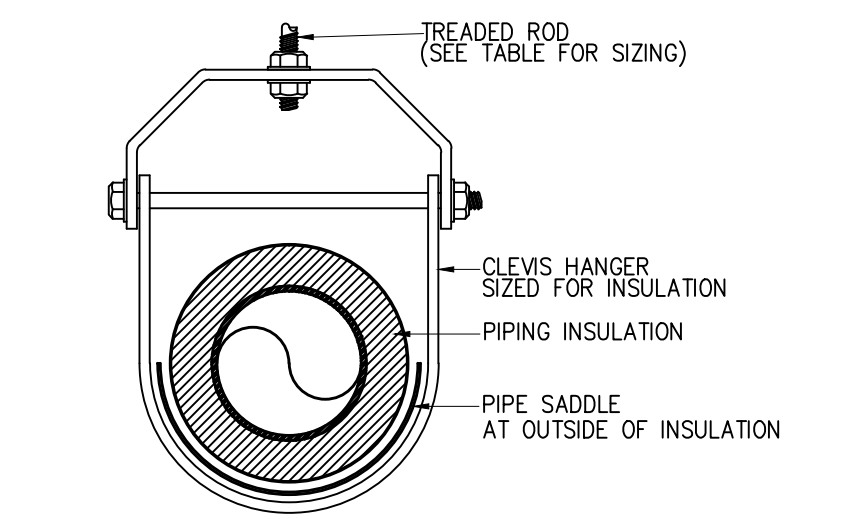
02 PRIMARY AND OVERFLOW ROOF DRAIN INSTALLATION
 SCALE: NO SCALE



03 PIPE PENETRATIONS
 SCALE: NOT TO SCALE



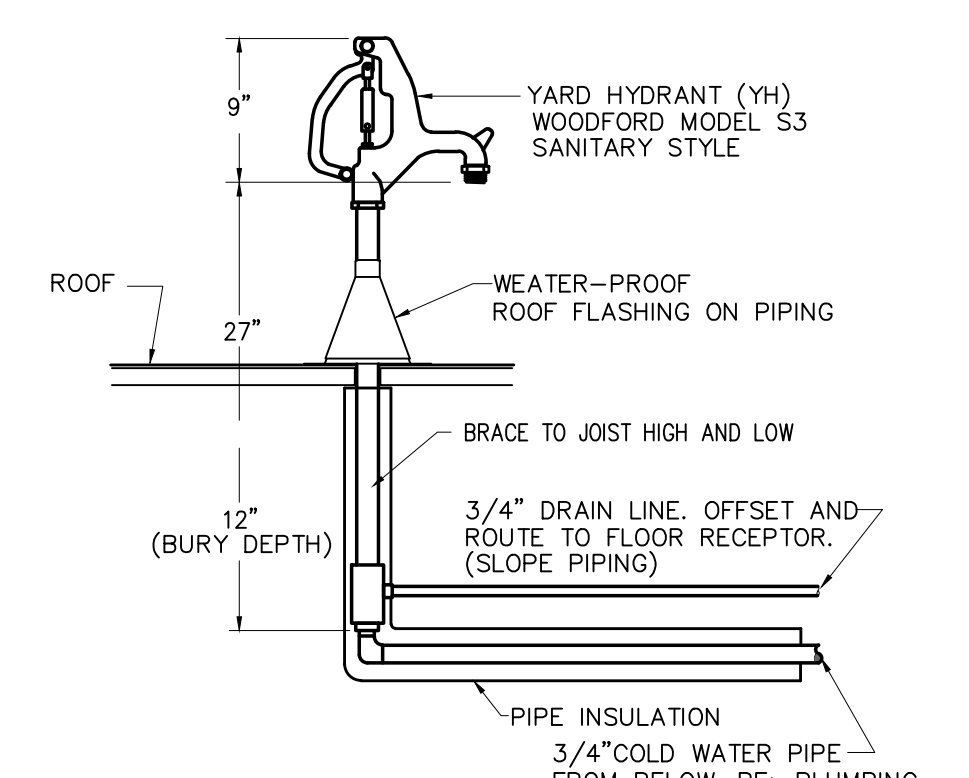
12 CONDENSATE DRAIN DETAIL
 SCALE: NONE



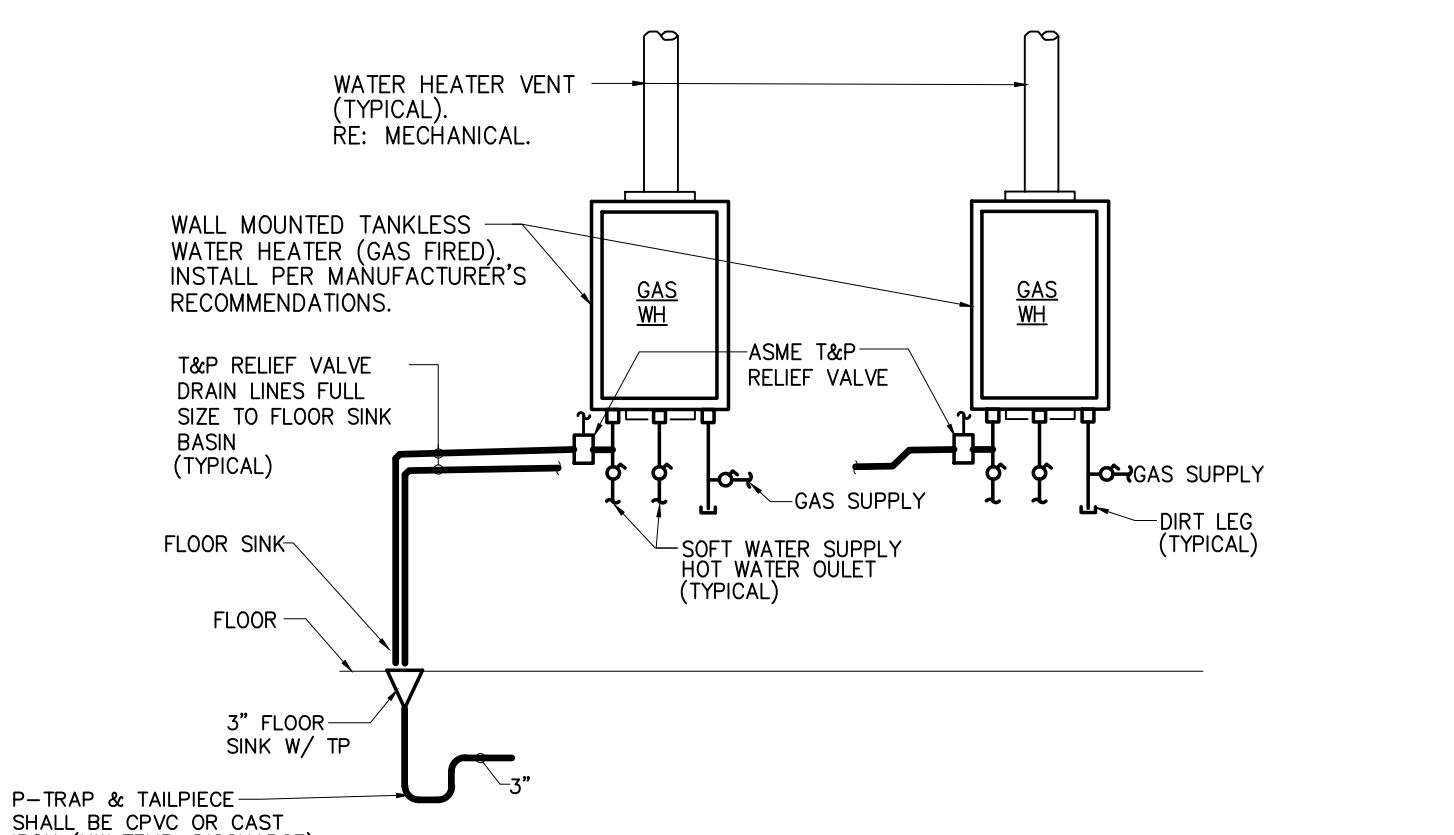
04 PIPING SUPPORT DETAIL
 SCALE: NO SCALE

PIPE SIZE	MAX SUPPORT SPACING
2 1/2" - 3 1/2"	8'-0"
4"	12'-0"
5"	14'-0"
6"	14'-0"

THREADED ROD SIZE	SADDLE LENGTH	SADDLE GAGE
1/2"	12"	16
3/8"	12"	16
1/4"	12"	16



03 ROOFTOP YARD HYDRANT DETAIL
 SCALE: NOT TO SCALE



12 TANKLESS WATER HEATERS PIPING DIAGRAM
 SCALE: NOT TO SCALE

REV.	DATE	ISSUE
1	5/12/17	PERMIT ISSUE
2	5/24/17	ISSUE FOR BID

Plotted By: ggrand 24 May 2017 Drawing File: F:\Dropbox (EnviroDesign)\EnviroDesign Team Folder\Current\2017-055 Cinergy Amarillo\2017-055P22b.dwg

ALL DRAWINGS AND WRITTEN MATERIAL APPEARING HEREIN CONSTITUTE ORIGINAL AND UNPUBLISHED WORK OF THE ENGINEER AND MAY NOT BE DUPLICATED, USED OR DISCLOSED WITHOUT WRITTEN CONSENT OF ENVIRODESIGN, INC. © 2017 ENVIRODESIGN, INC. ALL RIGHTS RESERVED.