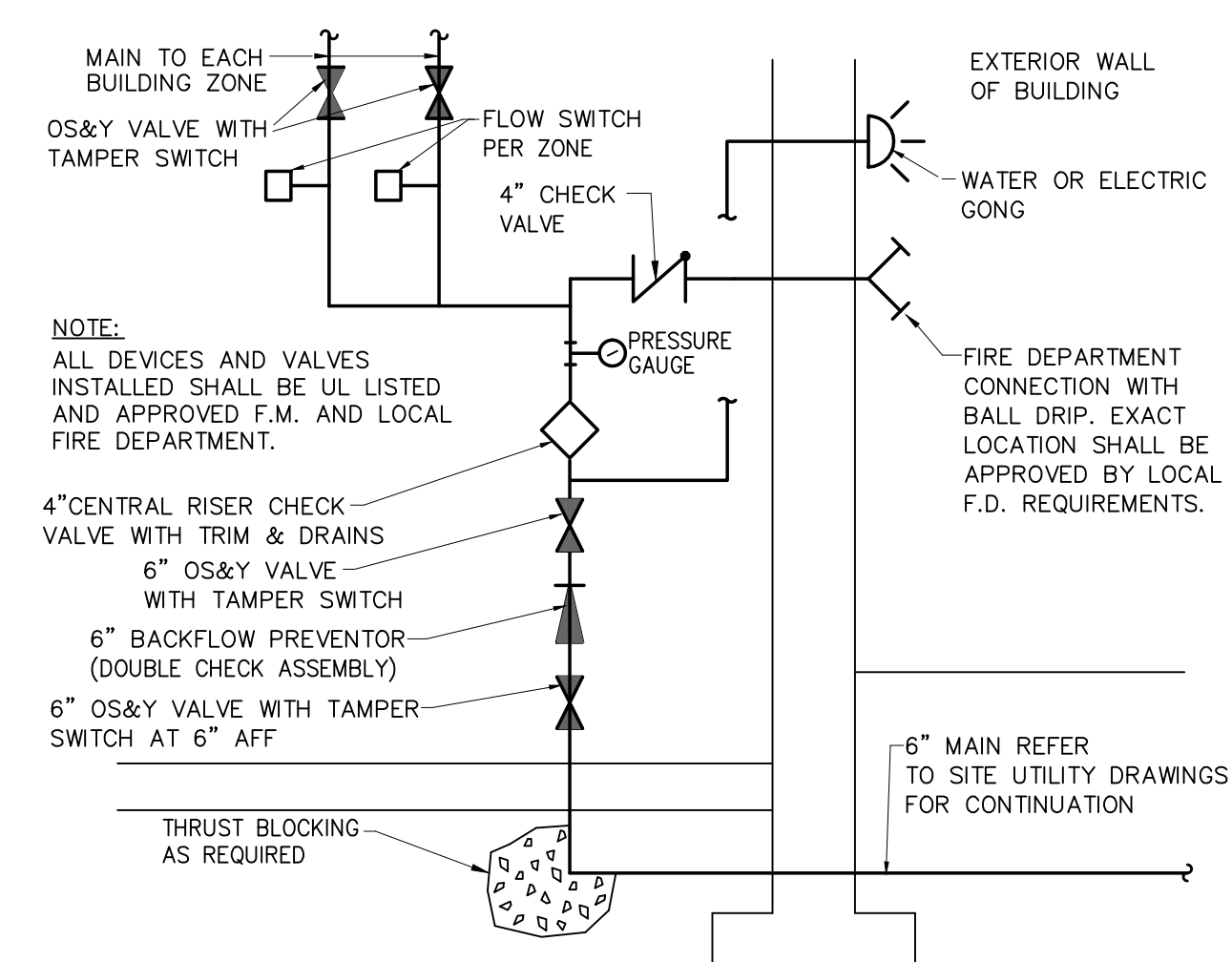


**02 LOWER LEVEL PART B - PLUMBING**  
SCALE: 3/32"=1'-0"

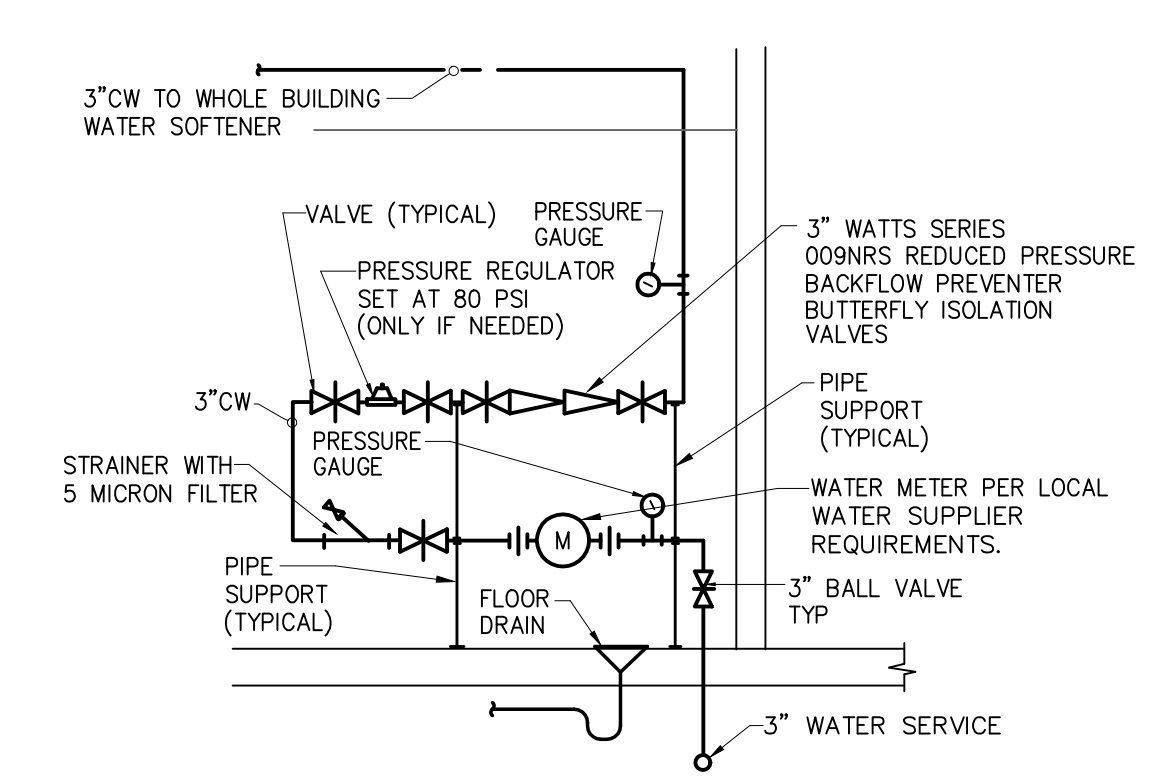
COMPLETE FIRE SPRINKLER SHOP DRAWINGS MUST BE SUBMITTED TO THE CITY FOR APPROVAL.

**PLUMBING GENERAL NOTES:**

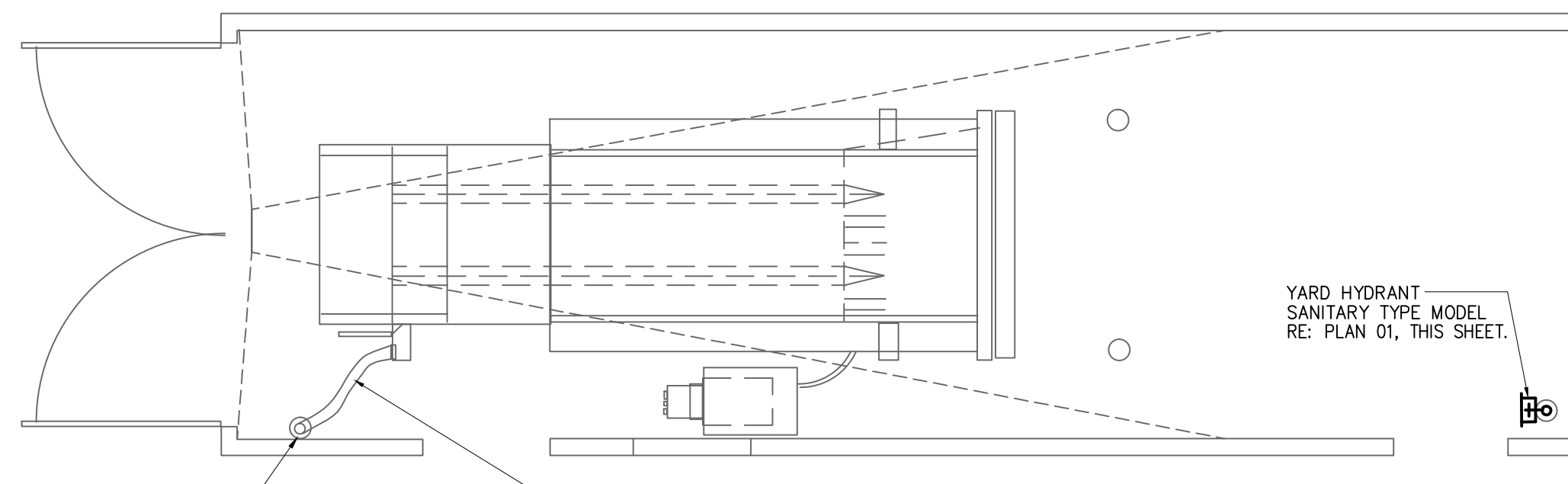
1. NO CLEANOUTS ARE TO BE EXPOSED TO PUBLIC VIEW. EXTEND WASTE LATERAL SO THAT CLEANOUTS ARE LOCATED IN STORAGE, JANITOR'S, ETC. ROOMS.



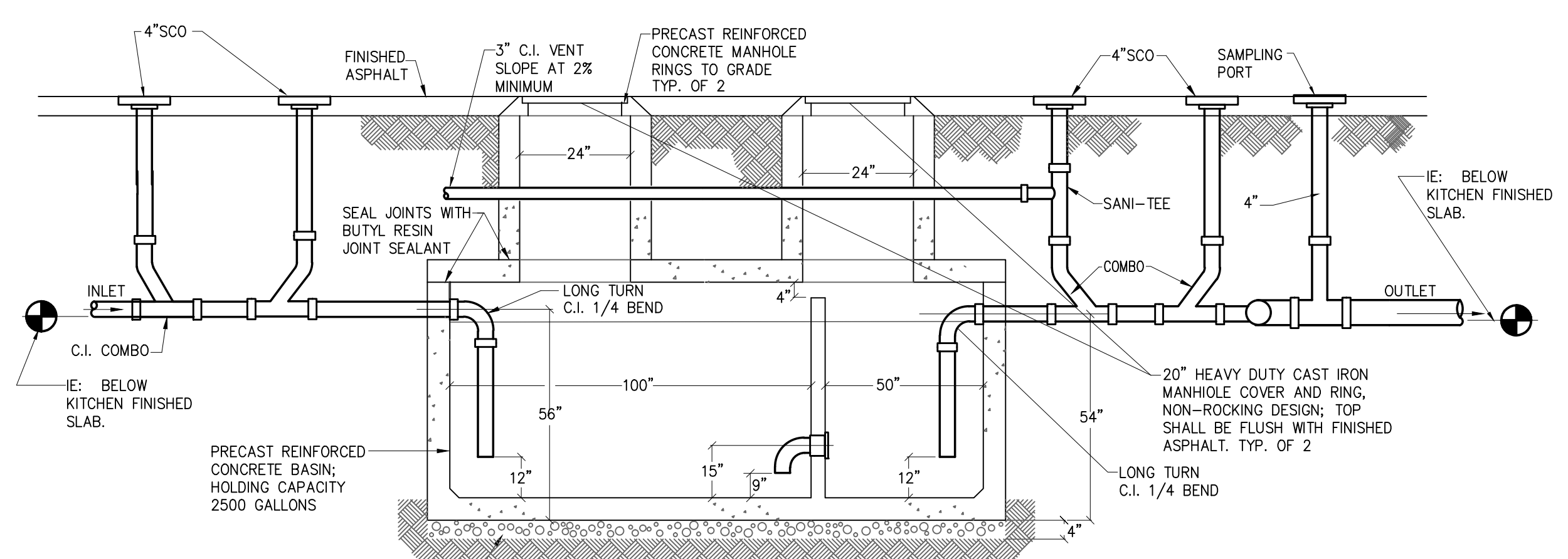
**04 FIRE MAIN ENTRANCE**  
SCALE: NOT TO SCALE



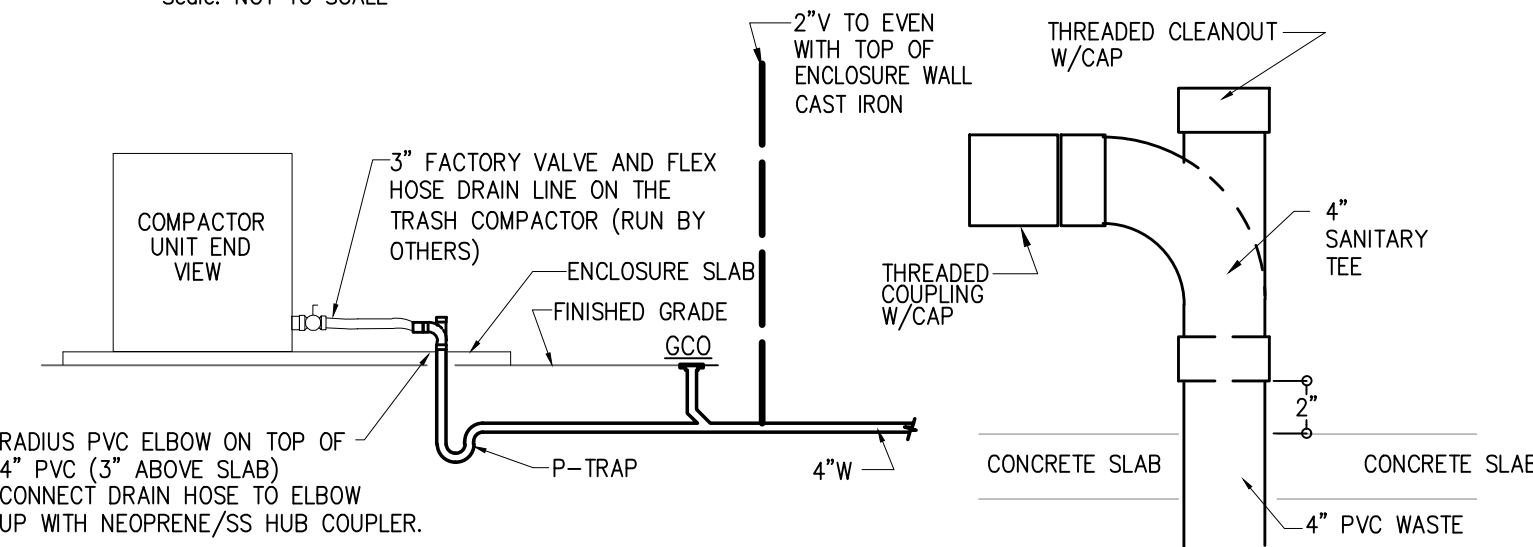
**03 WATER SERVICE ENTRANCE**  
SCALE: NOT TO SCALE



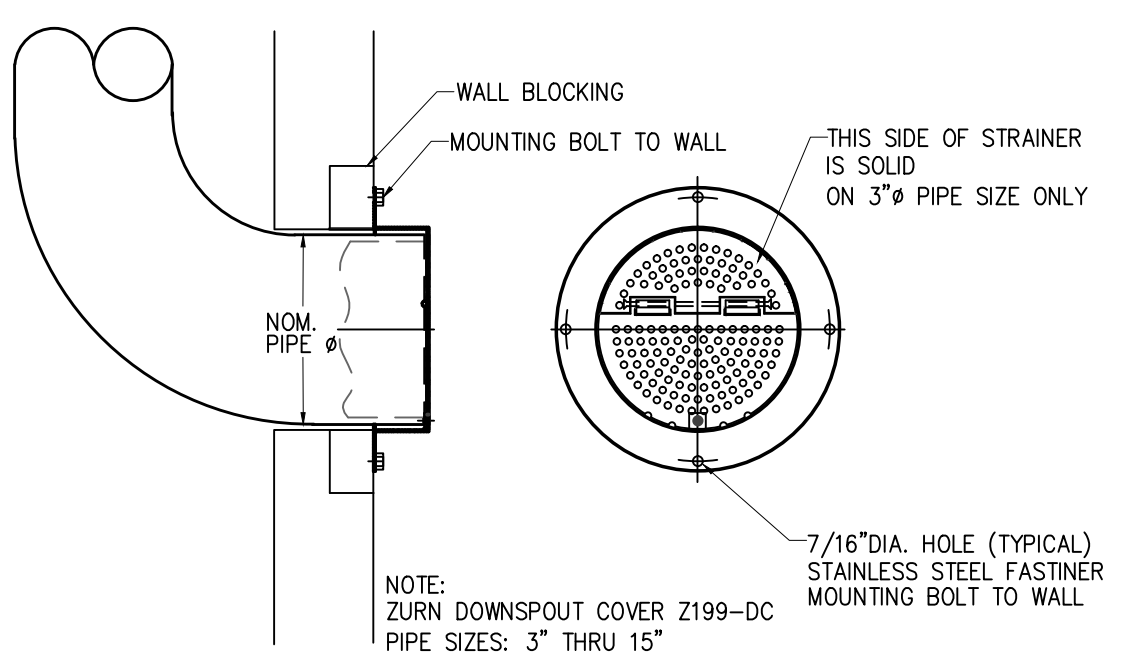
**04 TRASH COMPACTOR**  
SCALE: NOT TO SCALE



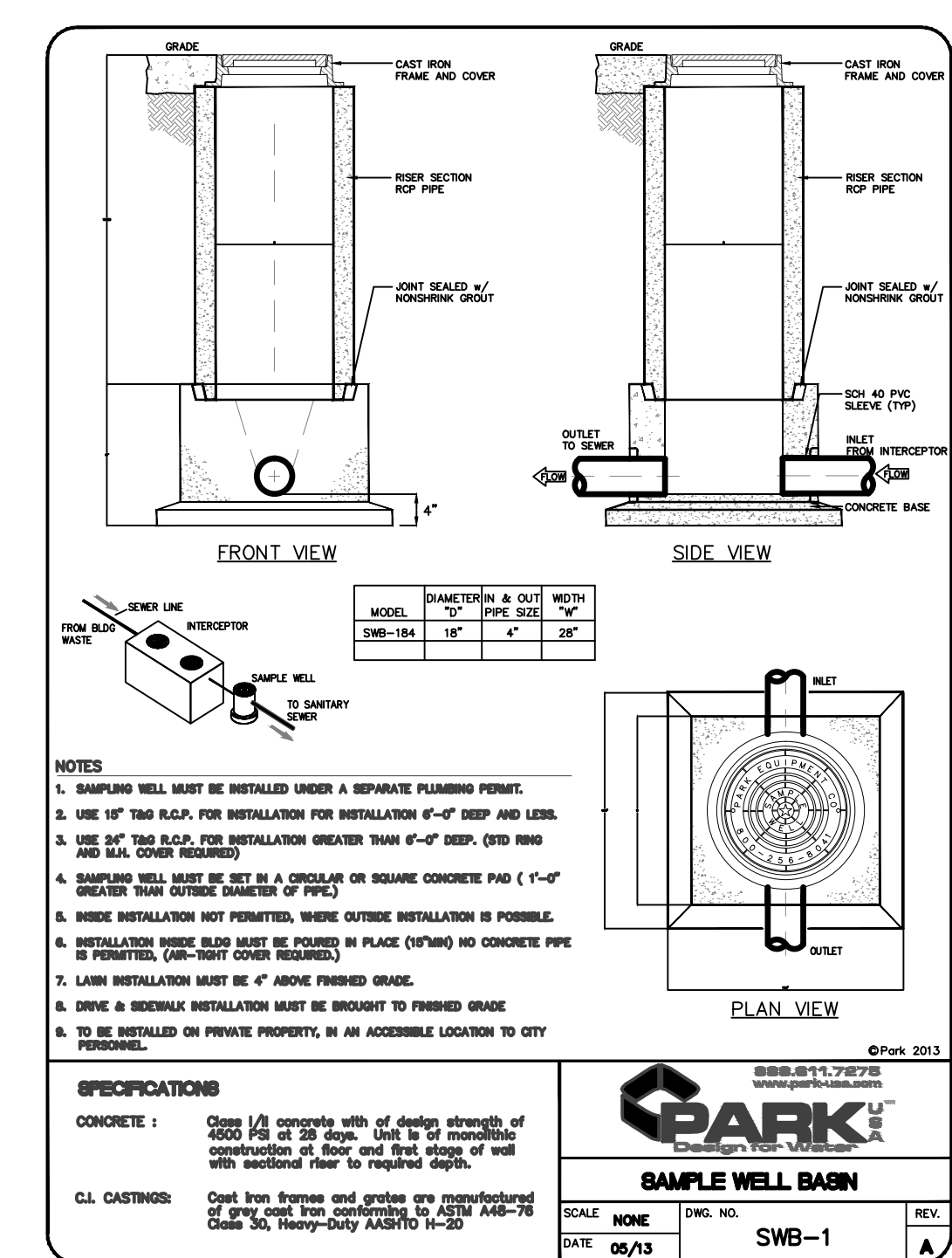
**06 GREASE INTERCEPTOR DETAIL**  
SCALE: NO SCALE



**04 WASTE AT TRASH COMPACTOR**  
SCALE: NOT TO SCALE



**07 DOWNSPOUT COVER (OVERFLOW)**  
SCALE: NONE



**04 INTERCEPTOR SAMPLE PORT DETAIL**  
SCALE: NOT TO SCALE

REV.	DATE	ISSUE
5/12/17	PERMIT ISSUE	
5/24/17	ISSUE FOR BID	

Plotted By: ggrand 24 May, 2017 Drawing File: F:\Dropbox (EnviroDesign)\EnviroDesign Team Folder\Current\2017-055 Cinergy Amarillo\2017-055P21b.dwg

ALL DRAWINGS AND WRITTEN MATERIAL APPEARING HEREIN CONSTITUTE ORIGINAL AND UNPUBLISHED WORK OF THE ENGINEER AND MAY NOT BE DUPLICATED, USED OR DISCLOSED WITHOUT WRITTEN CONSENT OF ENVIRODESIGN, INC. © 2017 ENVIRODESIGN, INC. ALL RIGHTS RESERVED.