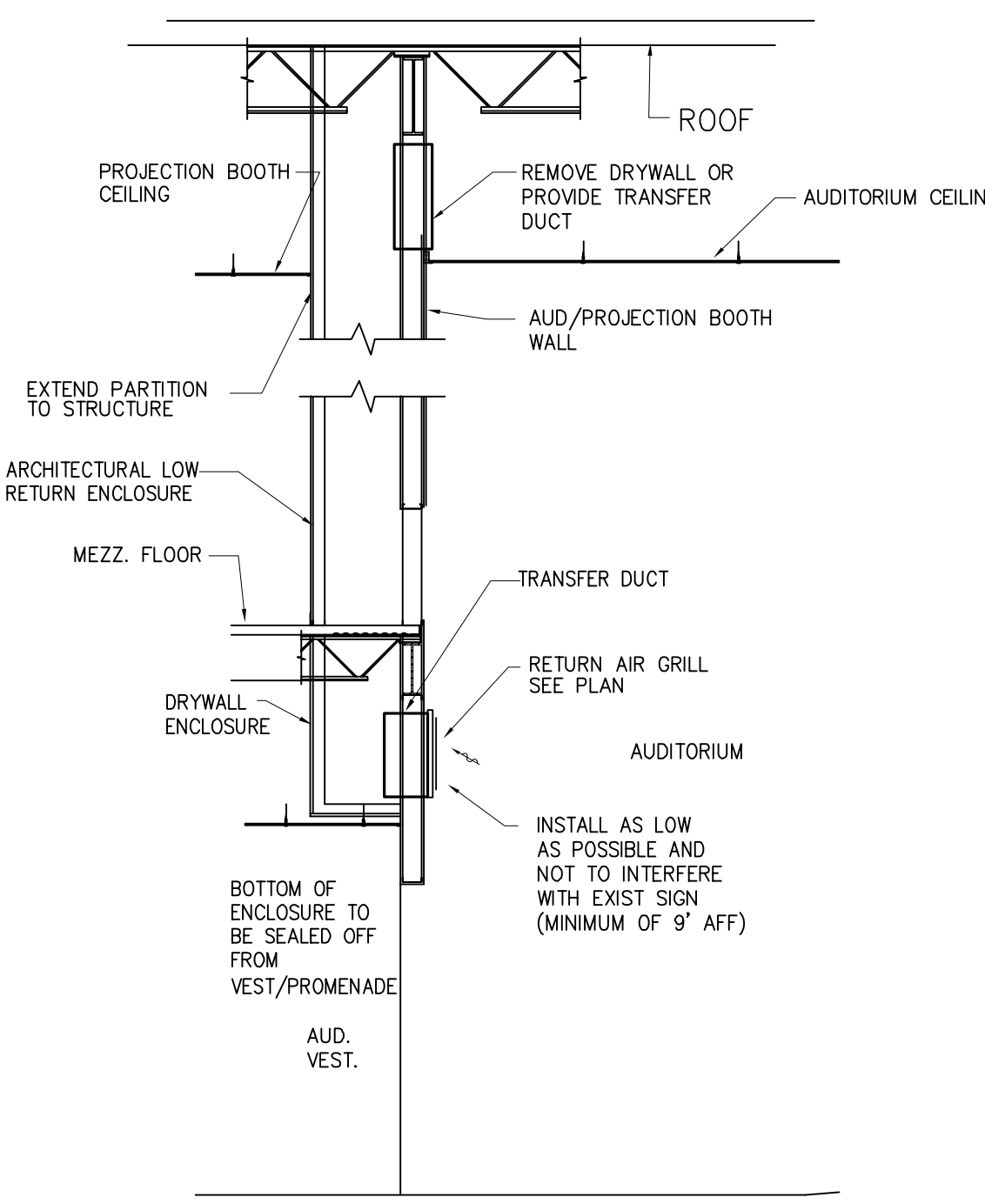
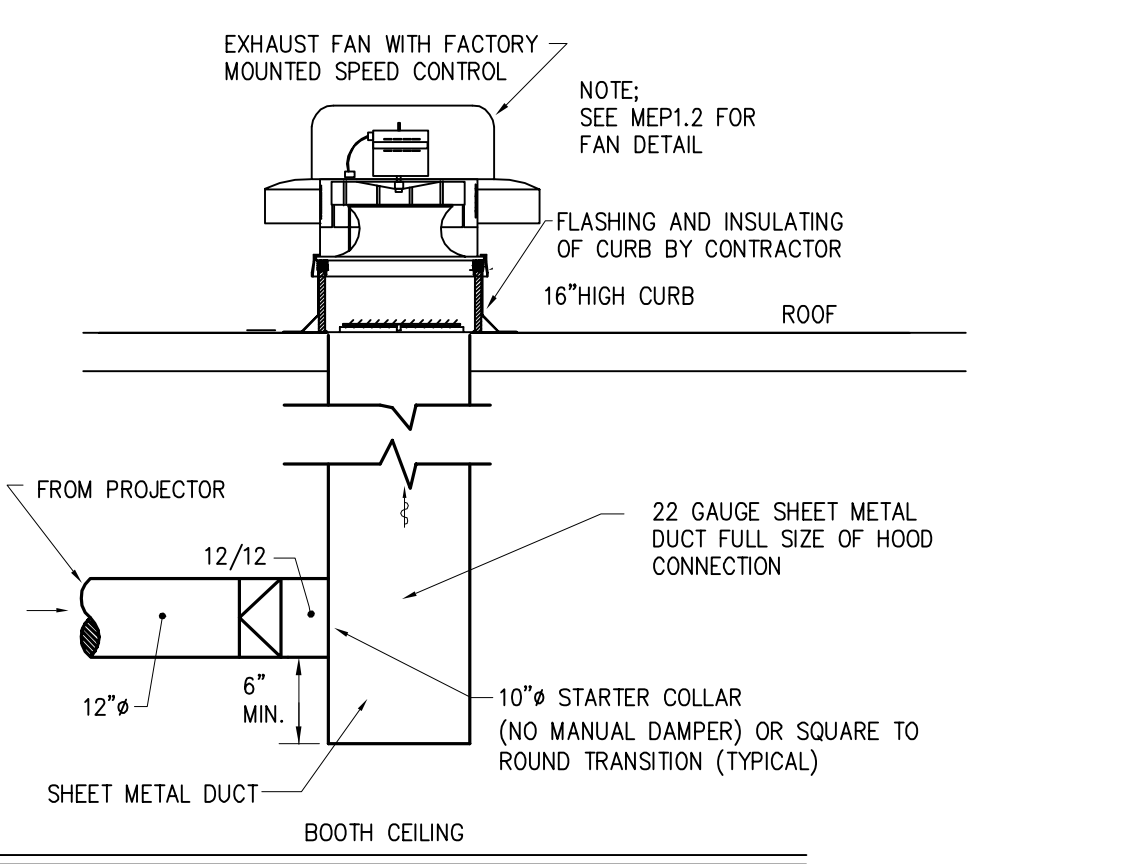


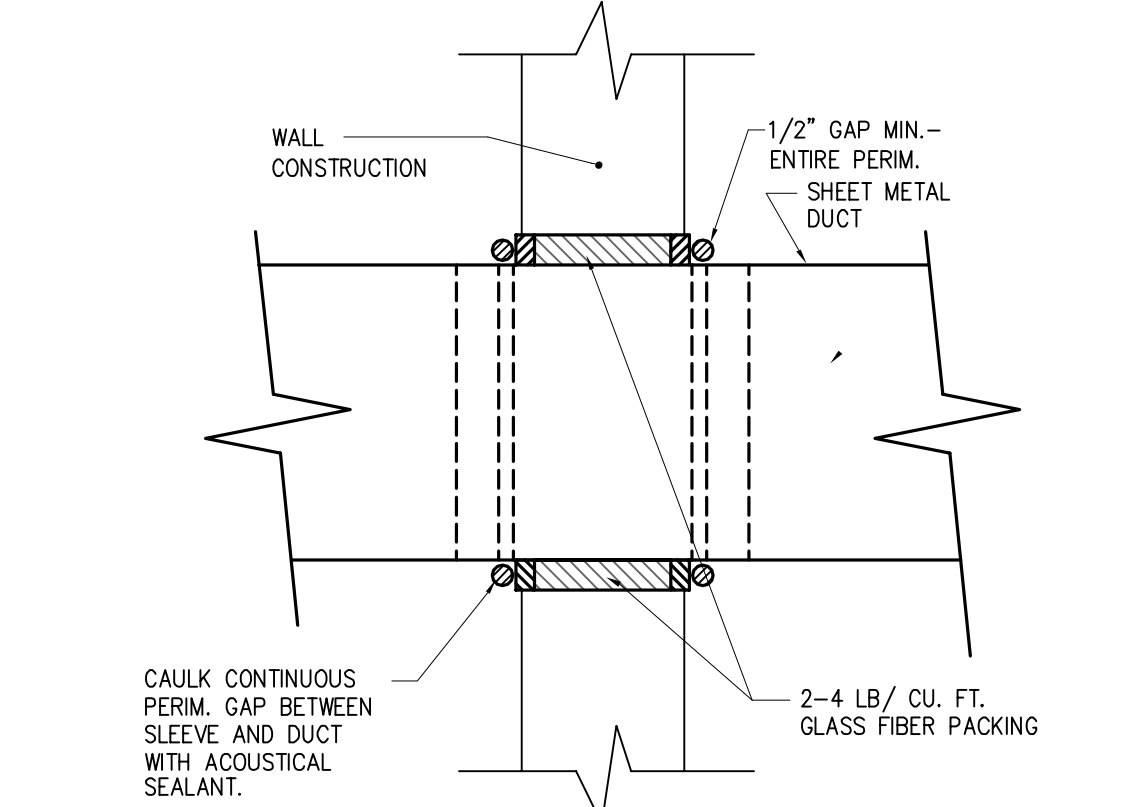
Plotted By: Owner 24 May 2017 Drawing File: J:\Dropbox (EnviroDesign)\EnviroDesign Team Folder\Current\2017-055 Cinergy Amarillo\2017-055\M41.dwg
 ALL DRAWINGS AND WRITTEN MATERIAL APPEARING HEREIN CONSTITUTE ORIGINAL AND UNPUBLISHED WORK OF THE ENGINEER AND MAY NOT BE DUPLICATED, USED OR DISCLOSED WITHOUT WRITTEN CONSENT OF ENVIRODESIGN, INC. © 2017 ENVIRODESIGN, INC. ALL RIGHTS RESERVED.



01 LOW RETURN AIR ENCLOSURE DETAIL
SCALE: NONE
TYPICAL AUDITORIUMS 6 & 10

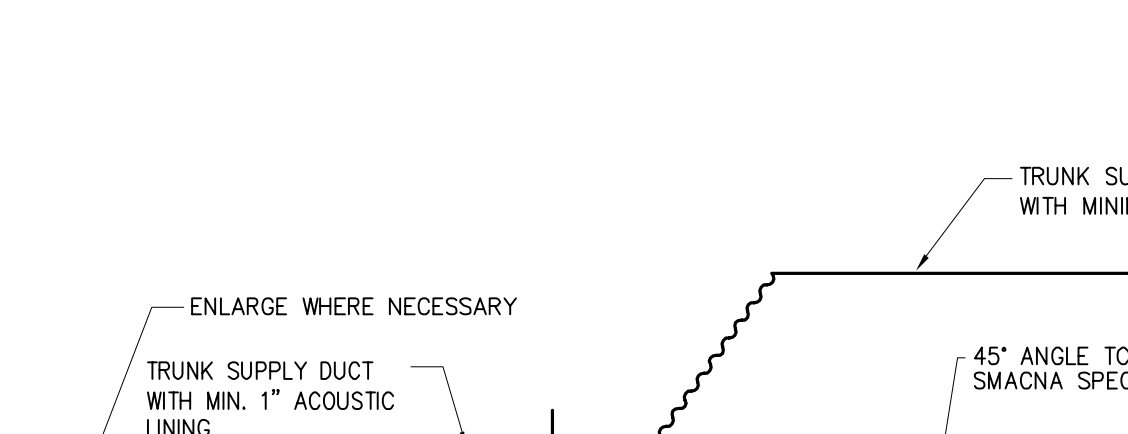


02 DYNAMIC FLOOR FIRE DAMPER DETAIL
SCALE: NONE



03 SUPPLY DIFFUSER BOOT
SCALE: NONE

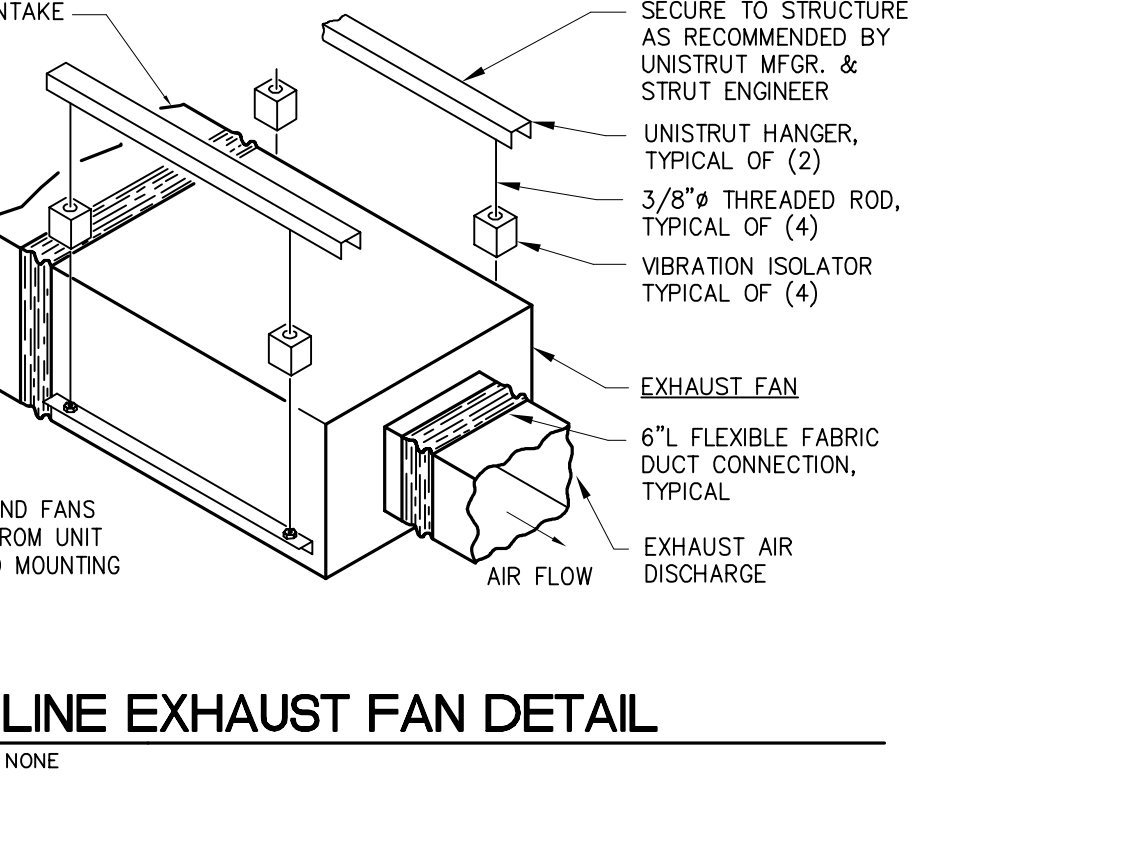
04 RETURN AIR GRILLE SOUND BOOT DETAIL
SCALE: NONE



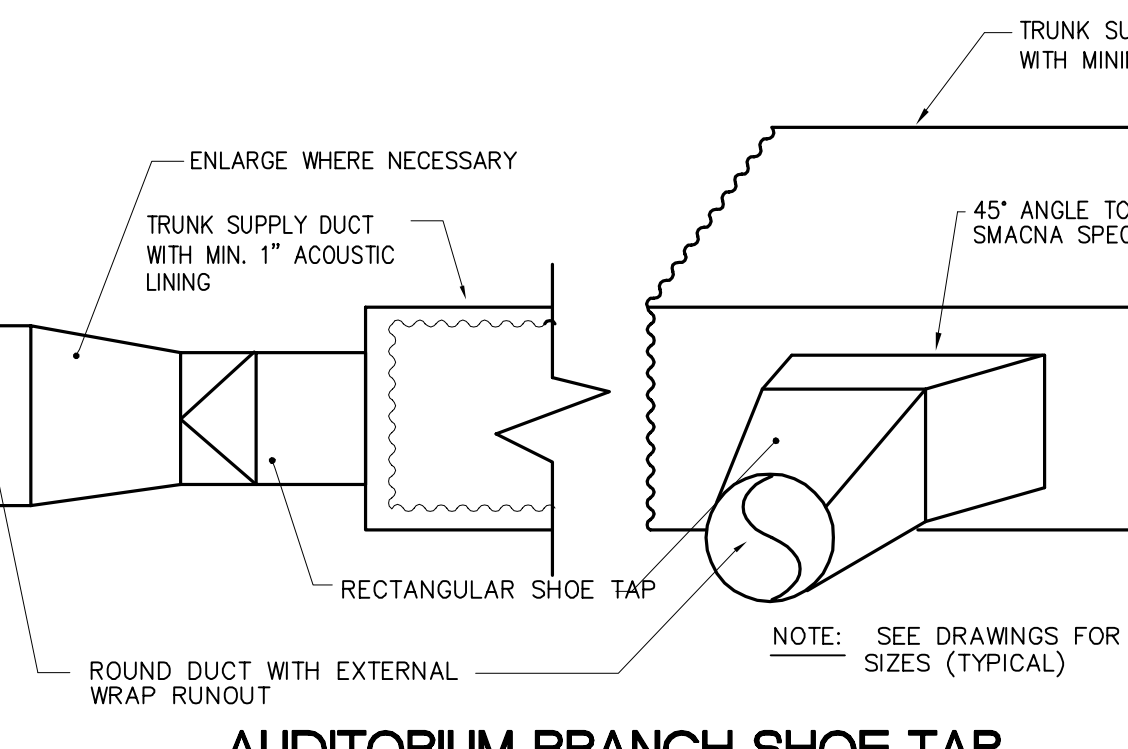
04 SUPPLY DIFFUSER BOOT/FLEX/ELBOW DETAIL
SCALE: NONE



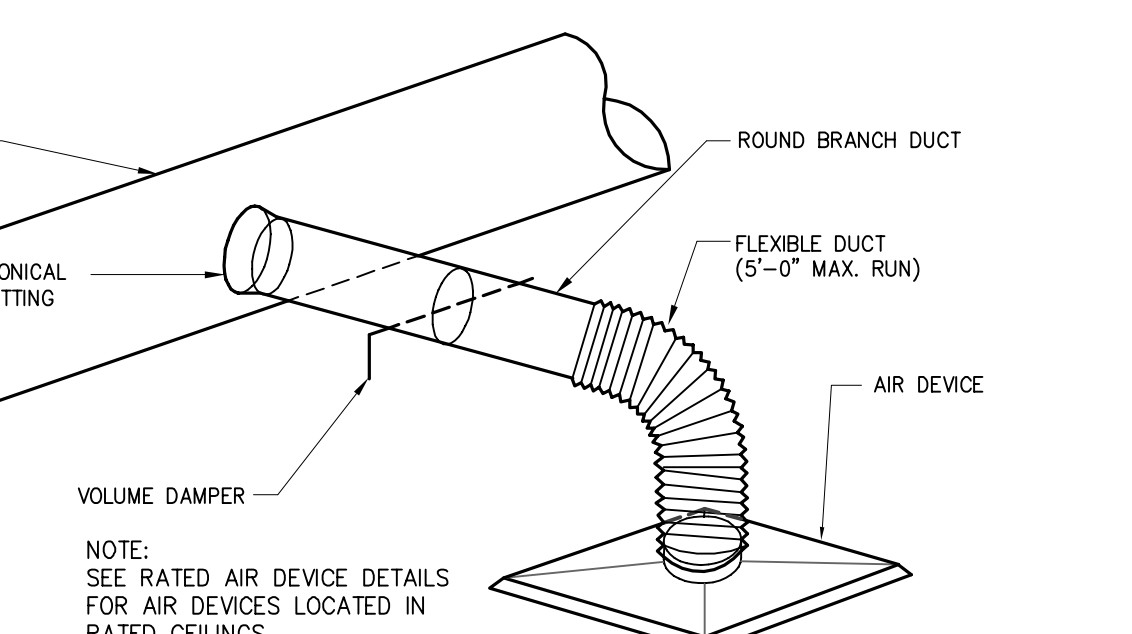
06 CAULKING OF DUCTS PENETRATING WALLS WHERE FIRE DAMPERS ARE NOT REQUIRED
SCALE: NONE



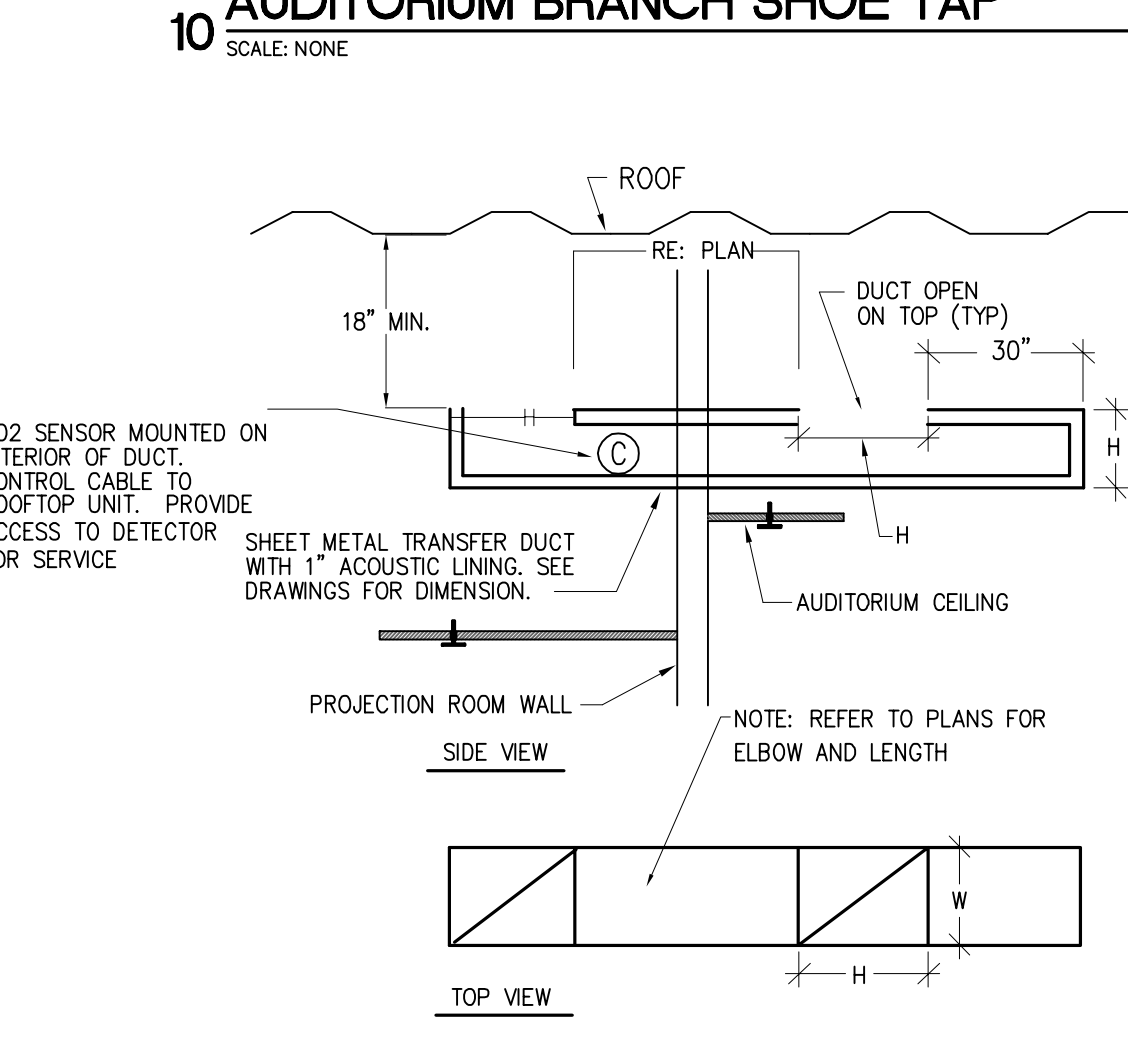
07 PROJECTOR RELIEF HOOD DUCT DROP
SCALE: NONE



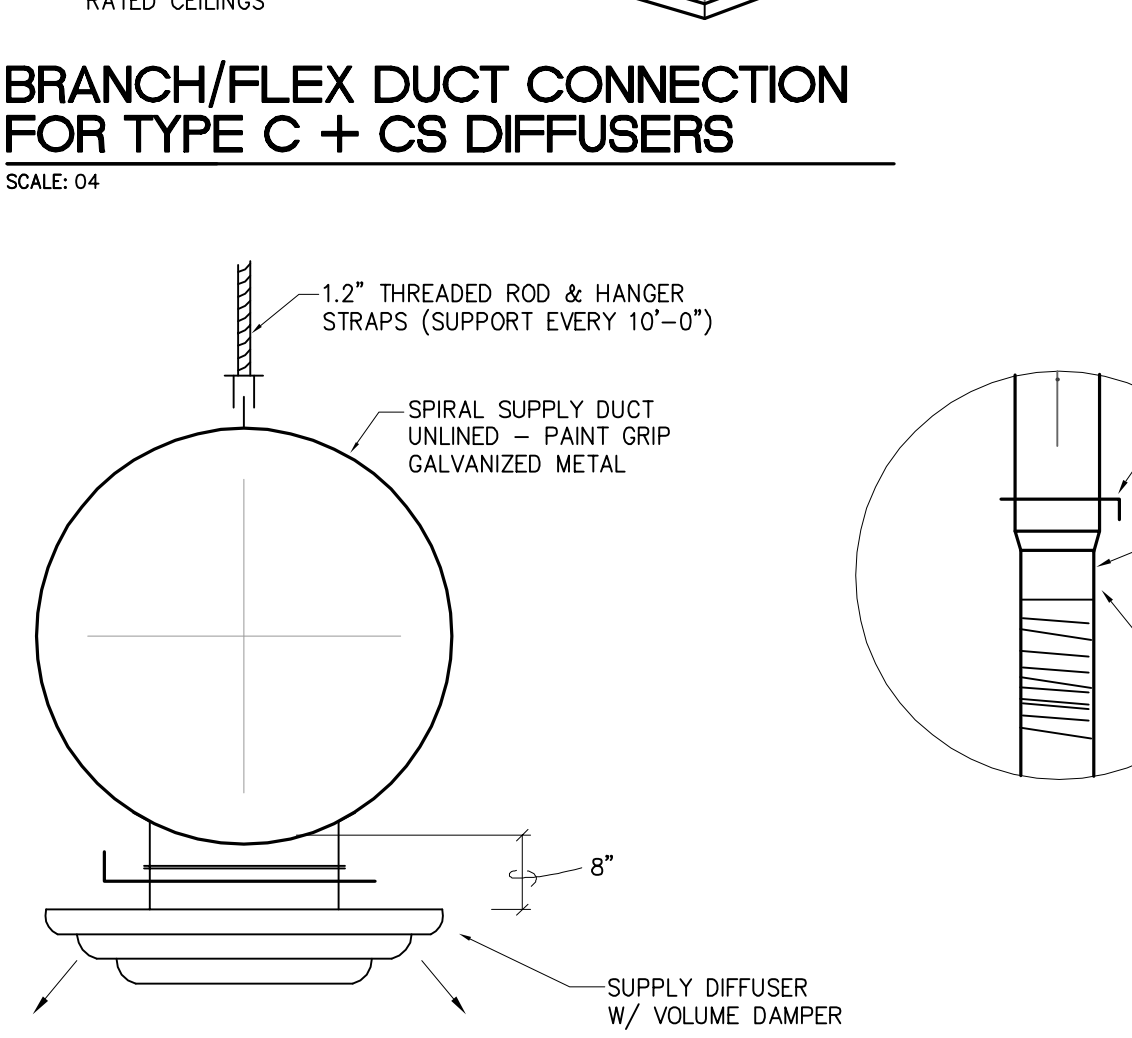
08 BRANCH/FLEX DUCT CONNECTION FOR DIFFUSERS
SCALE: NONE



09 IN-LINE EXHAUST FAN DETAIL
SCALE: NONE



10 AUDITORIUM BRANCH SHOE TAP
SCALE: NONE



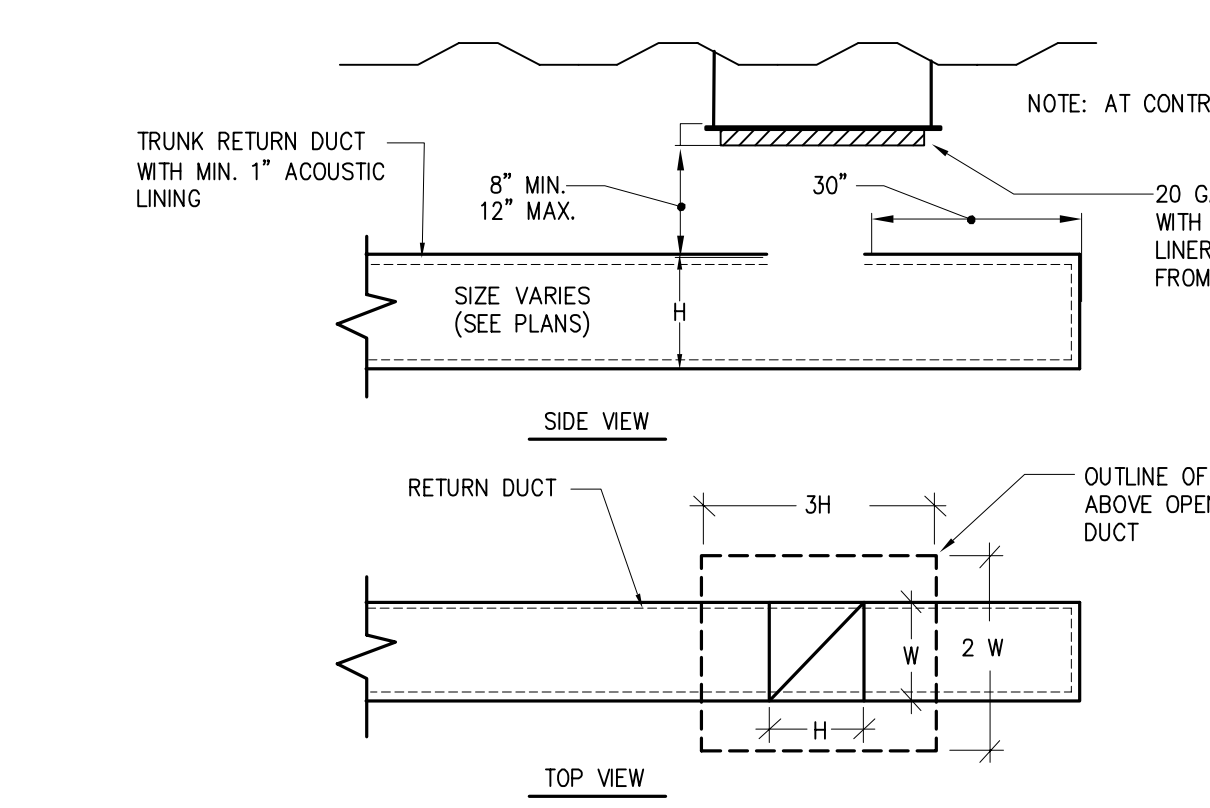
11 BRANCH/FLEX DUCT CONNECTION FOR TYPE C + CS DIFFUSERS
SCALE: 0.4



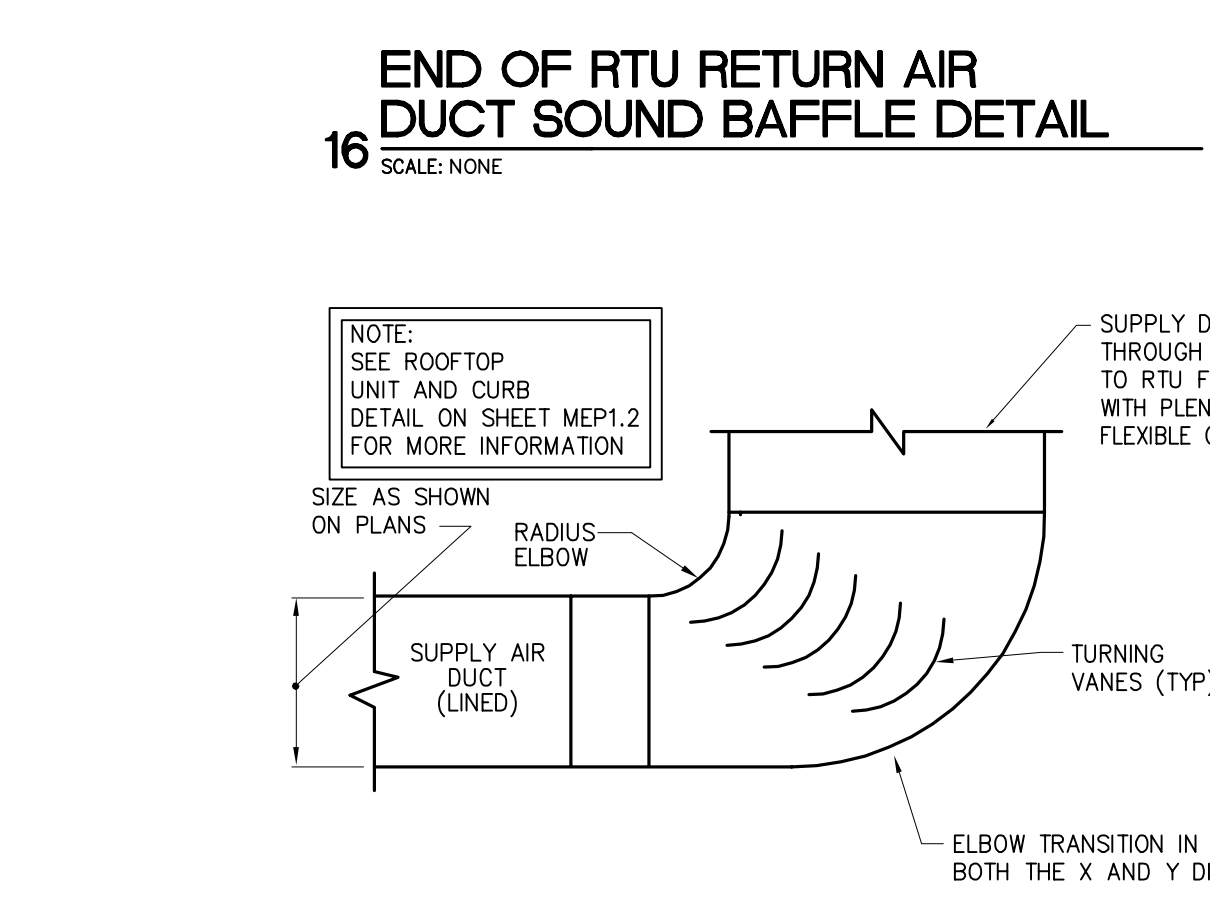
12 TOP OF DUCT BRANCH DUCT CONNECTION
SCALE: NONE



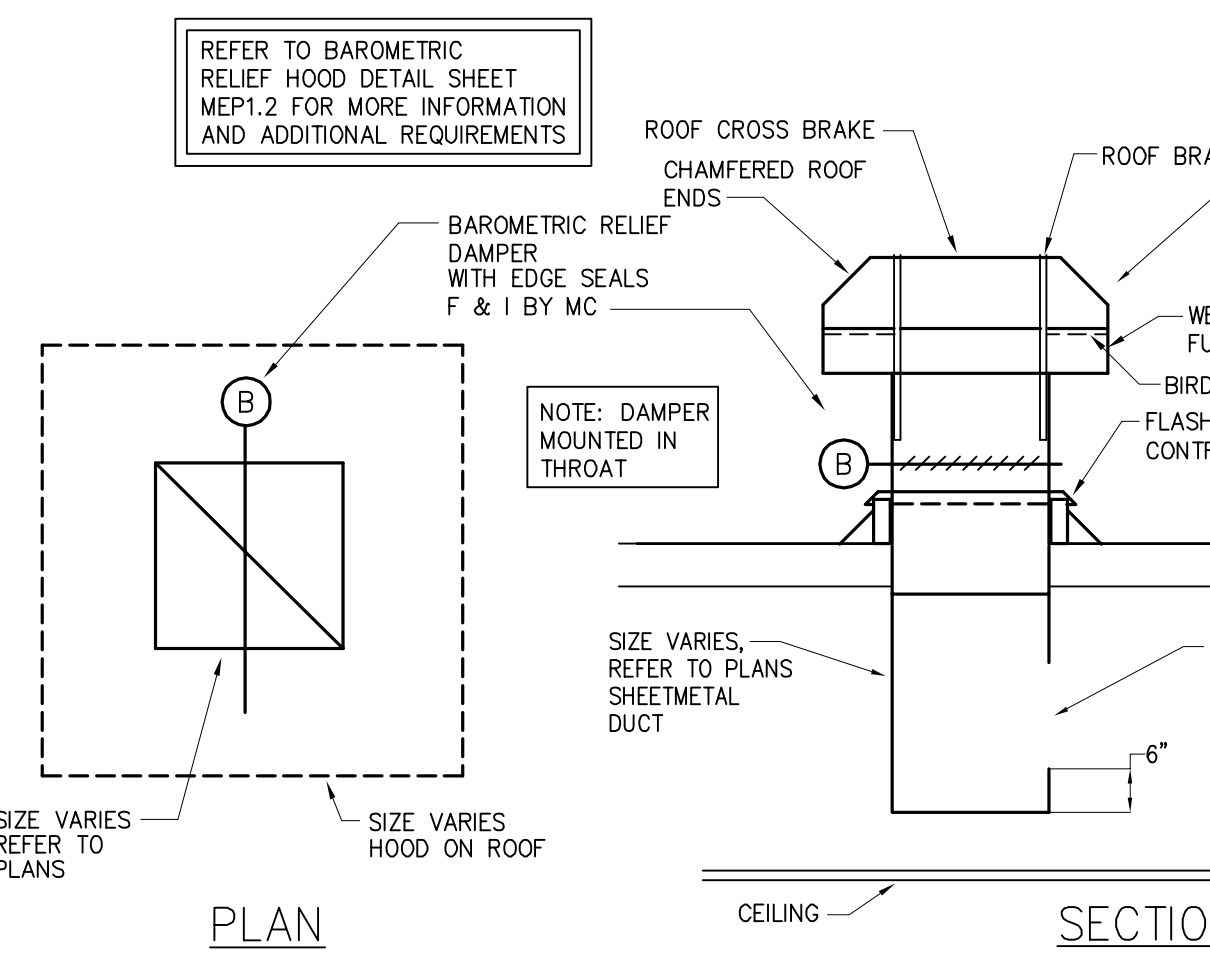
13 PROJECTOR EXHAUST FAN DETAIL
SCALE: NONE



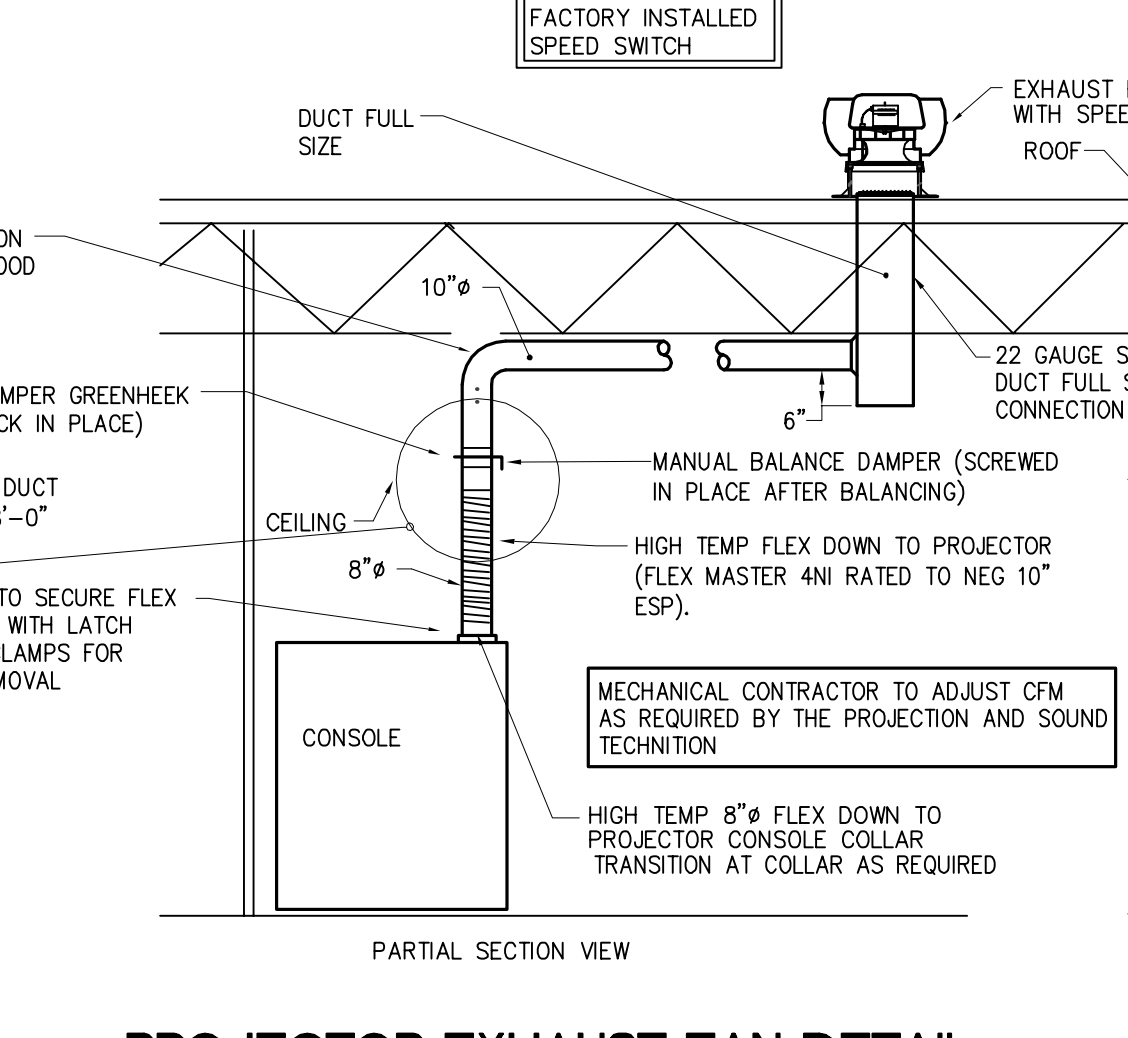
14 TRANSFER AIR DUCT DETAIL
SCALE: NONE



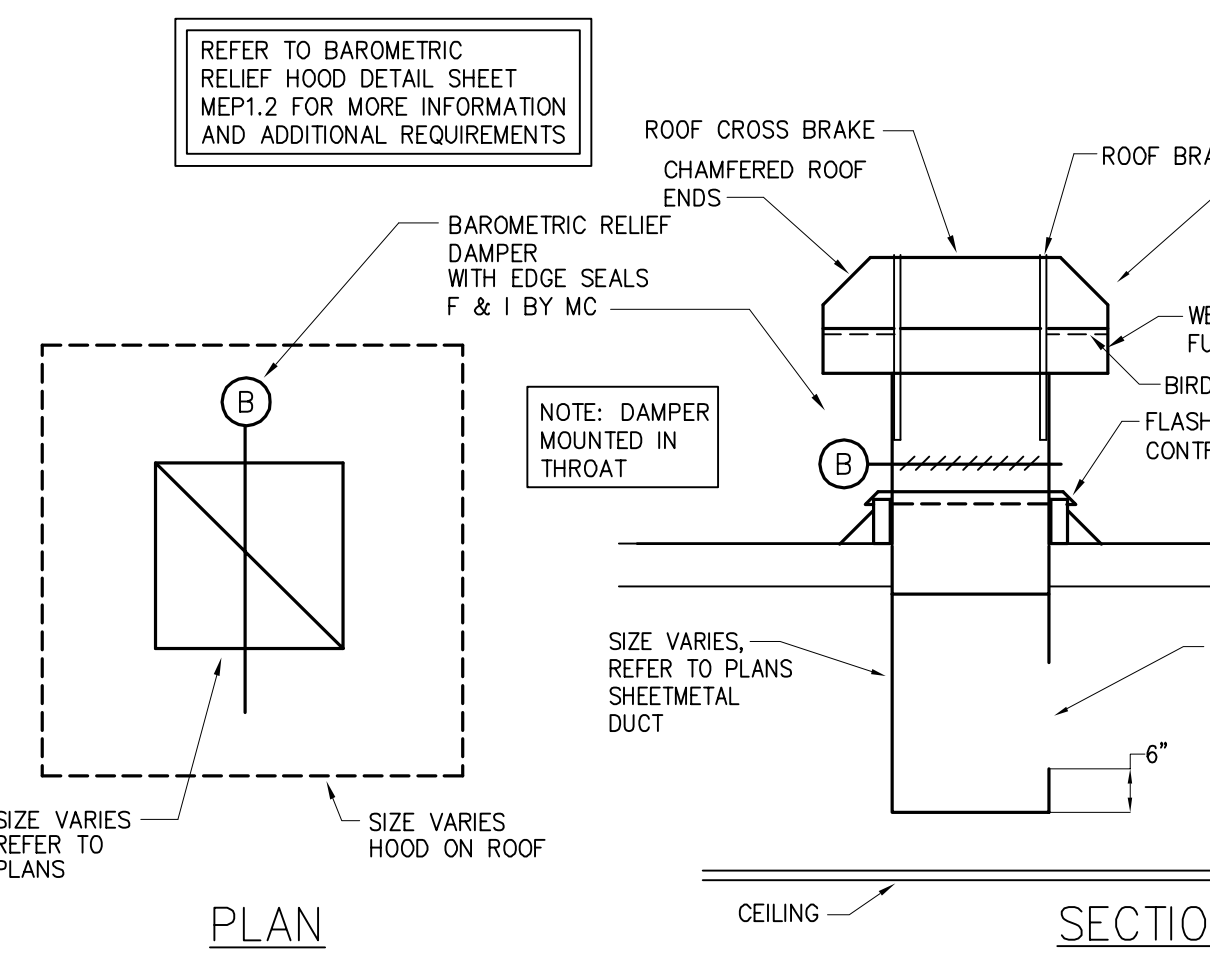
15 AUDITORIUM RTU SUPPLY ELBOW TRANSITION DETAIL
SCALE: NONE



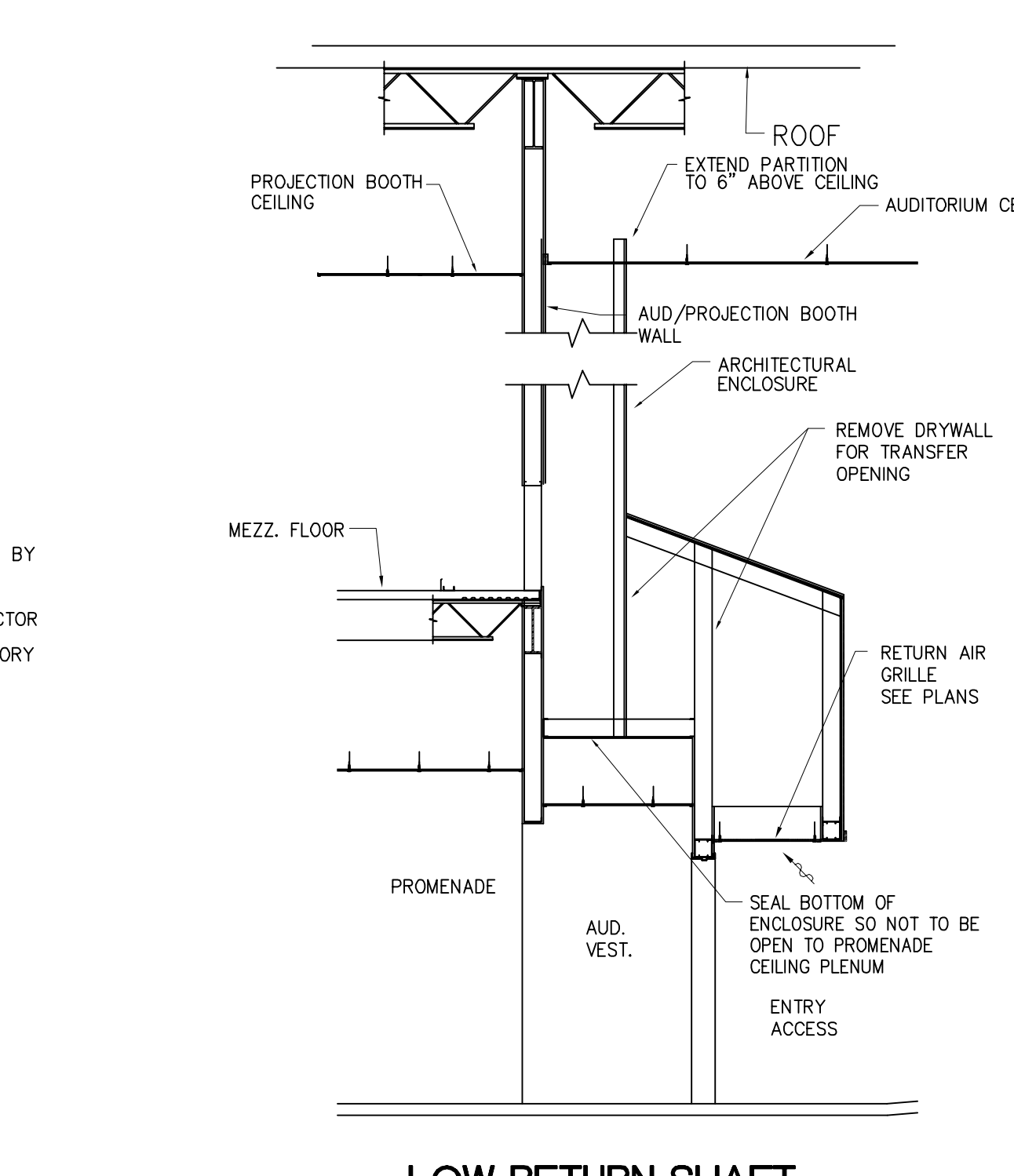
16 LOBBY SUPPLY DIFFUSER DETAIL
SCALE: NONE



17 PROJECTOR EXHAUST FAN DETAIL
SCALE: NONE



18 BAROMETRIC RELIEF HOOD AND DUCT
SCALE: NONE



19 LOW RETURN SHAFT AT AUDITORIUMS
SCALE: NONE
TYPICAL AUDITORIUMS 1 & 5

Studio Collaborative, LLC.
800 Jackson | Suite 500 | Dallas, TX 75202
260 Peachtree Street | Suite 500 | Atlanta, GA 30303

ARCHITECT
50 Studio Collaborative, LLC.
800 Jackson St., Suite 500
Dallas, TX 75202
Rick Walker - 214.670.0050

STRUCTURAL ENGINEER
L.A. Fuess Partners Engineers
3333 Lee Parkway, Suite 300
Dallas, TX 75219
Jeff Inay - 214.891.7010

MEP ENGINEER
EnviroDesign, Inc.
900 Ranch Rd 620 So., Suite C101-301
Austin, TX 78738
Sam Patton - 512.693.8015
Leas P.E. Firm Number 15847

24 May 2017

Sam E. Patton, P.E.
TX PE# 57170

DRAWINGS & SPECIFICATIONS ARE THE PROPERTY OF ENVIRODESIGN. COPIES OF THE DRAWINGS & SPECIFICATIONS RETAINED BY THE CLIENT MAY BE UTILIZED ONLY FOR HIS USE & FOR OCCUPANCY OF THE PROJECT FOR WHICH THEY WERE PREPARED, & NOT FOR THE CONSTRUCTION OF ANY OTHER PROJECT.

REV	DATE	ISSUE
5/12/17	PERMIT ISSUE	
5/24/17	ISSUE FOR BID	

CINERGY AMARILLO

SHEET DESCRIPTION

MECHANICAL DETAILS