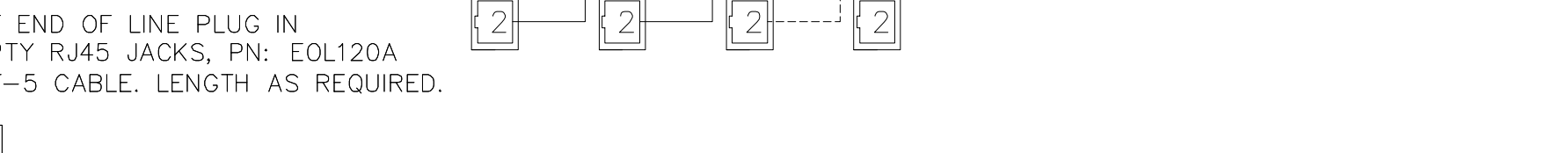
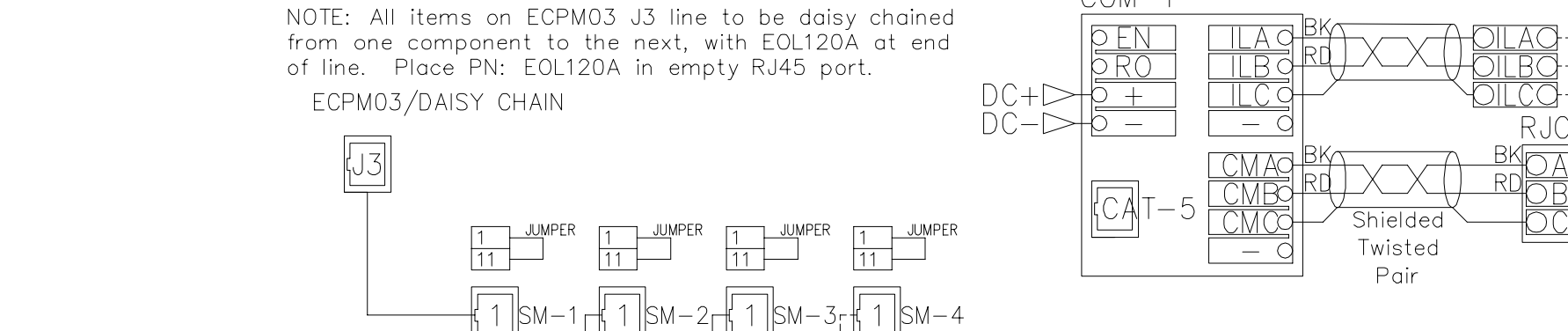
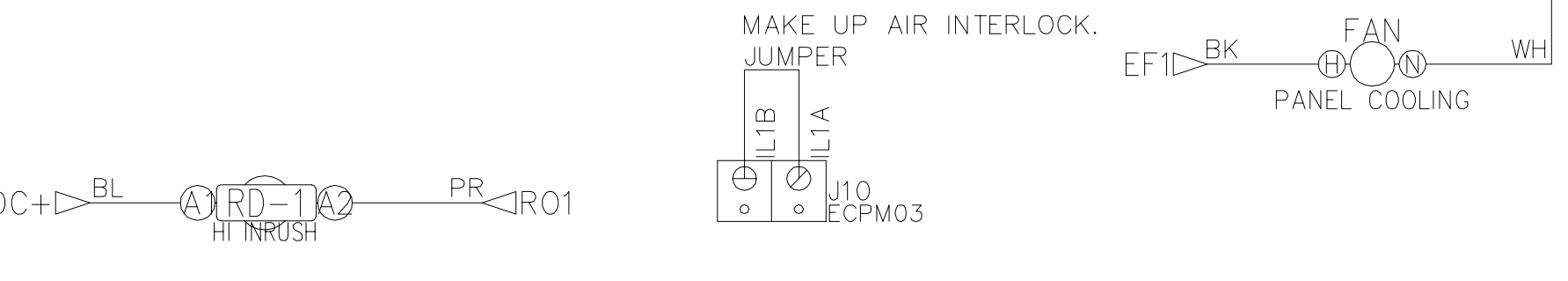
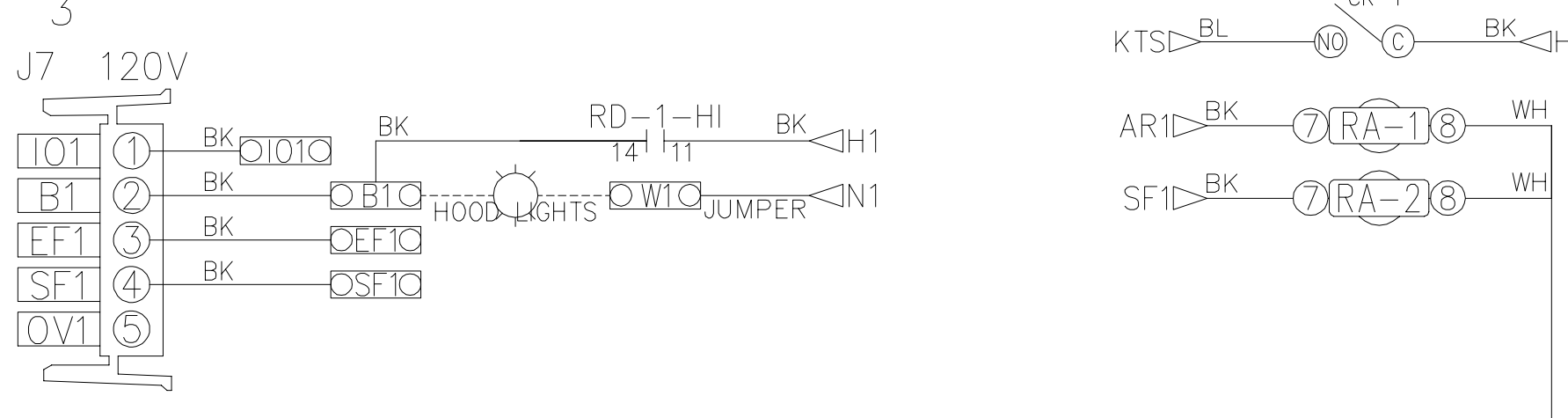
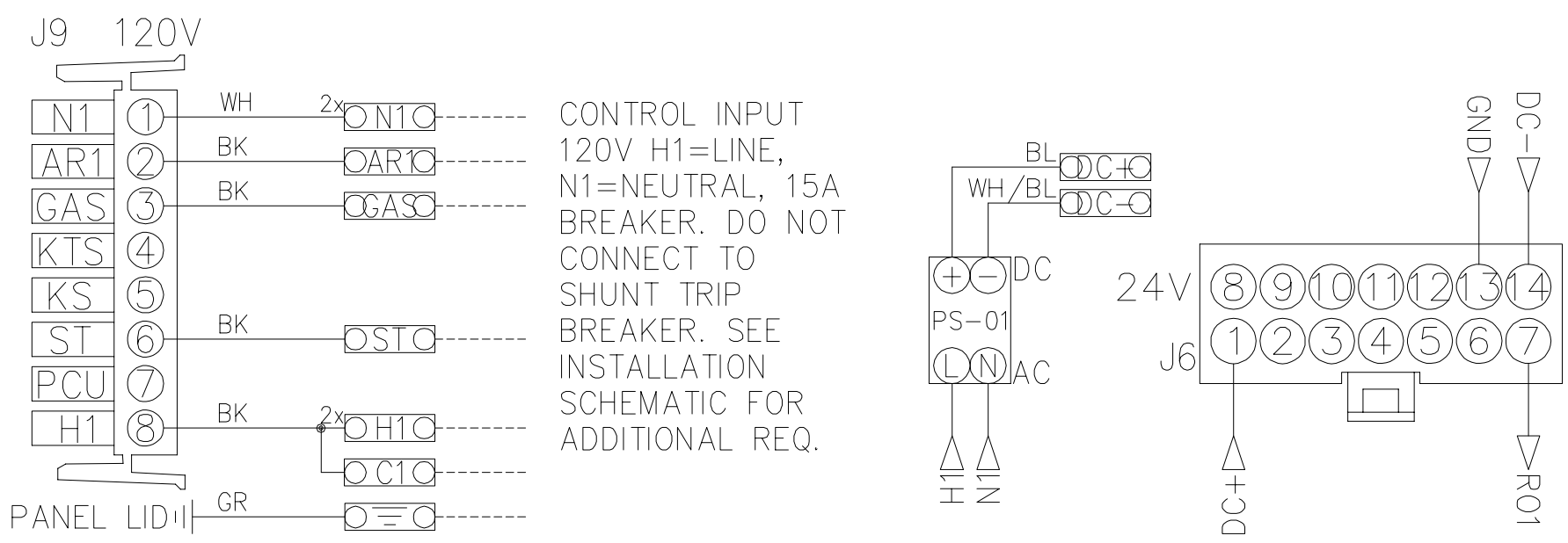
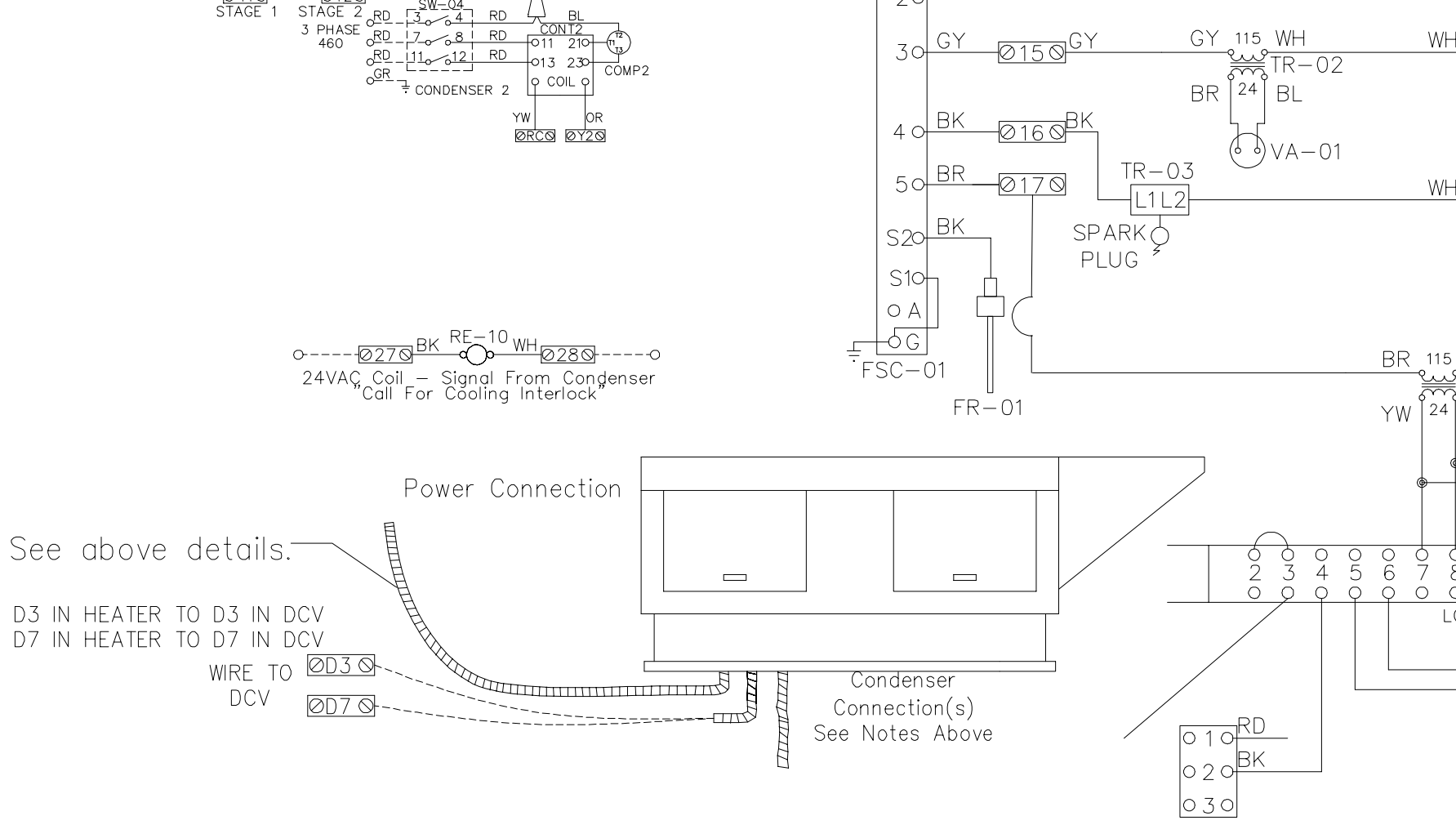
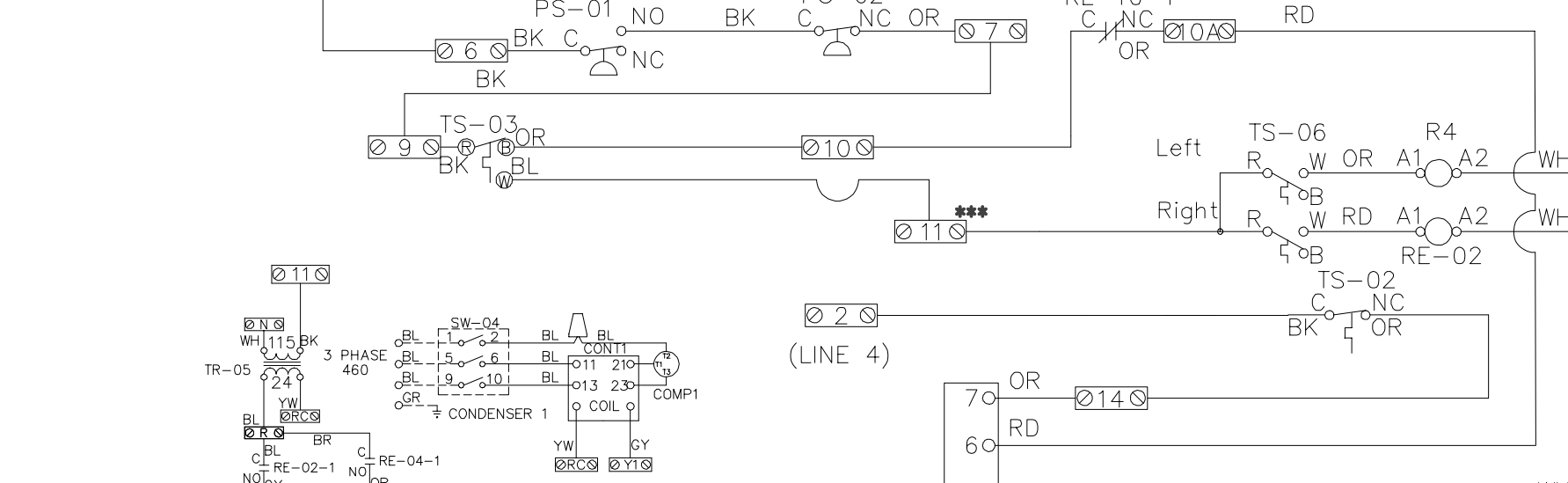
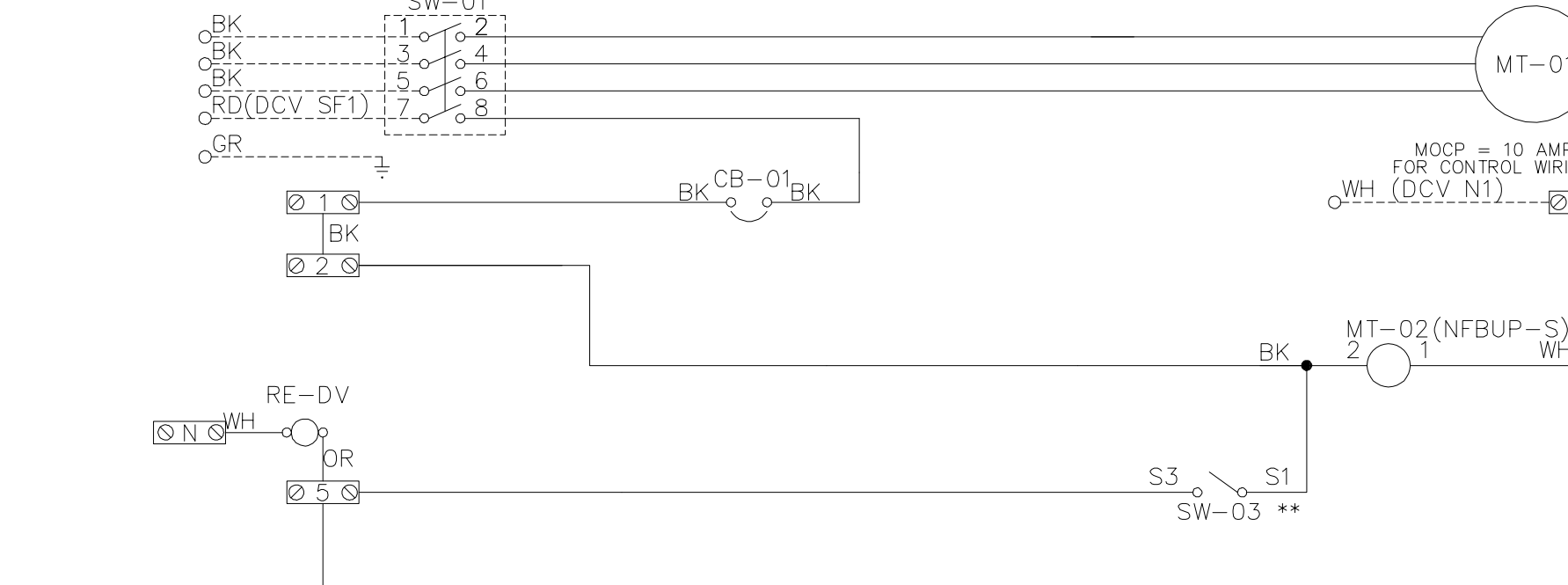


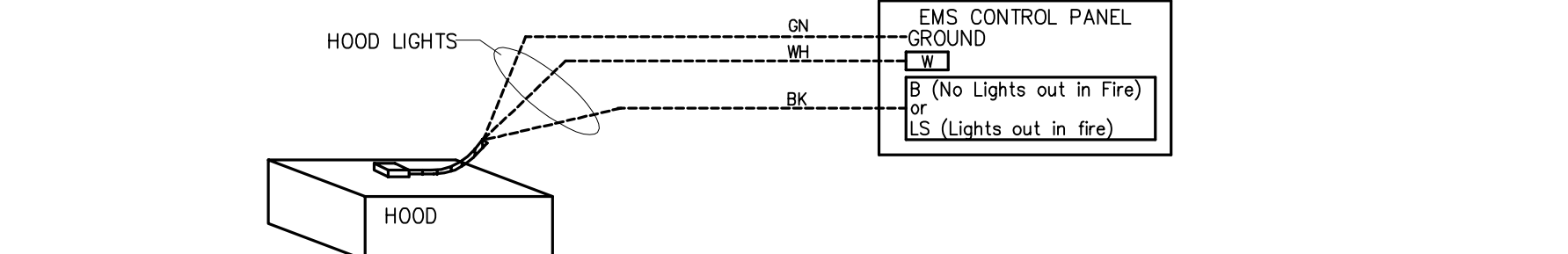
UNLESS SPECIFIED OTHERWISE, ALL FACTORY AC WIRING 16 AWG. ALL FACTORY DC WIRING 18 AWG.



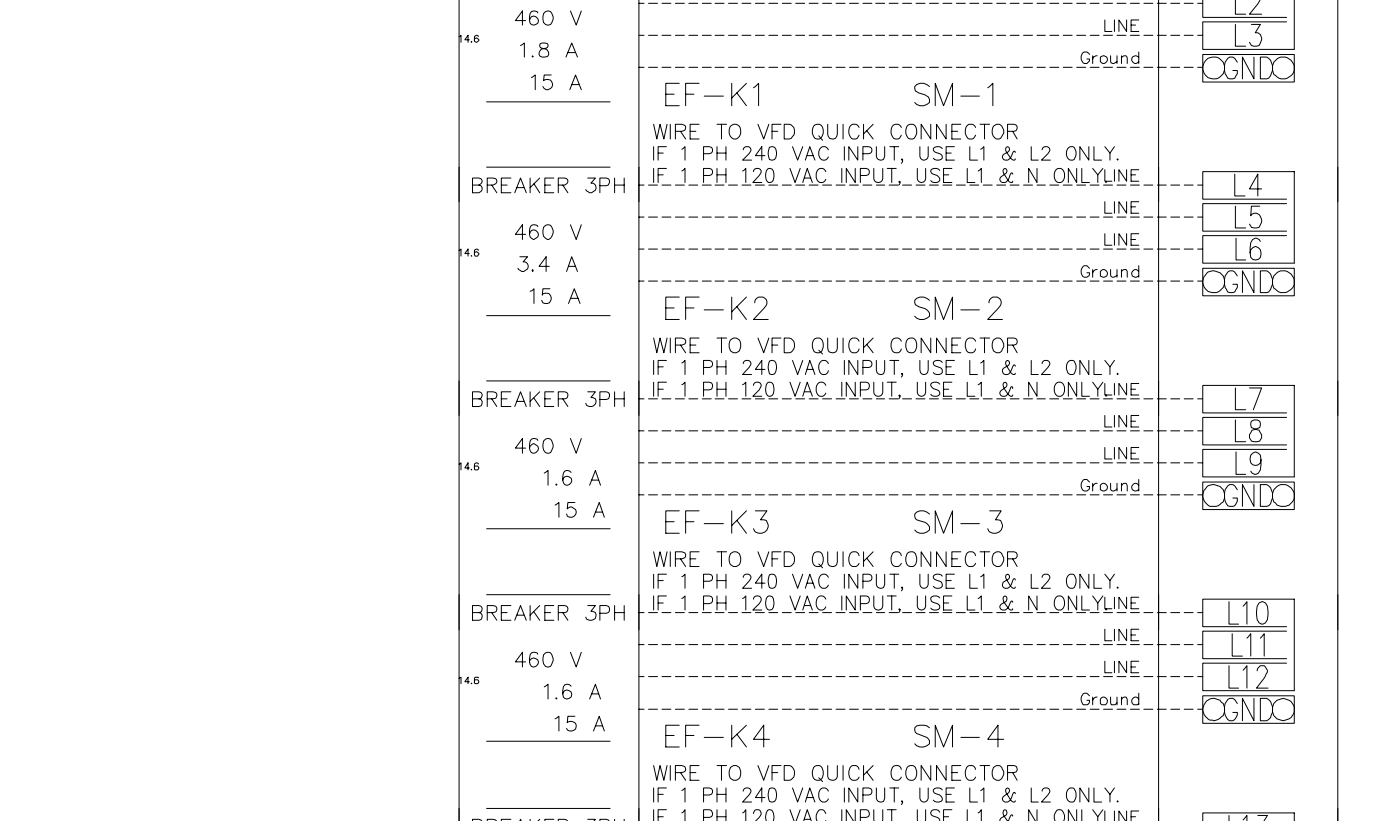
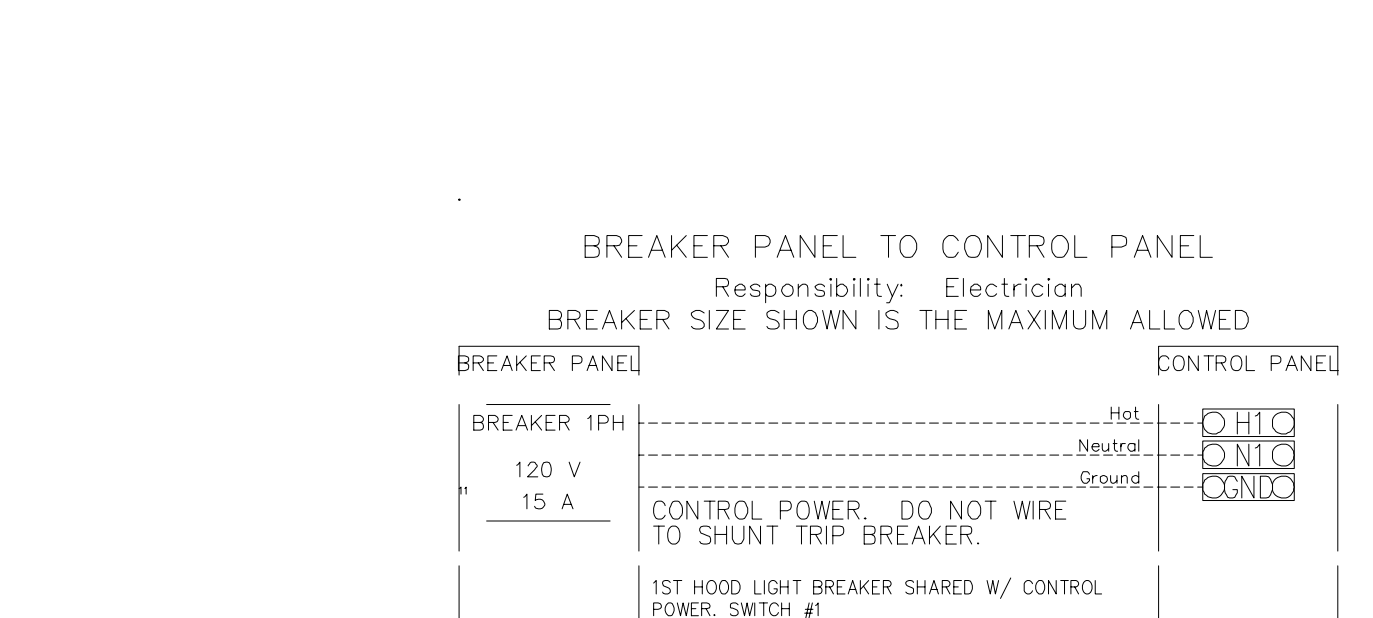
01 KITCHEN HOOD DCV CONTROL DIAGRAMS



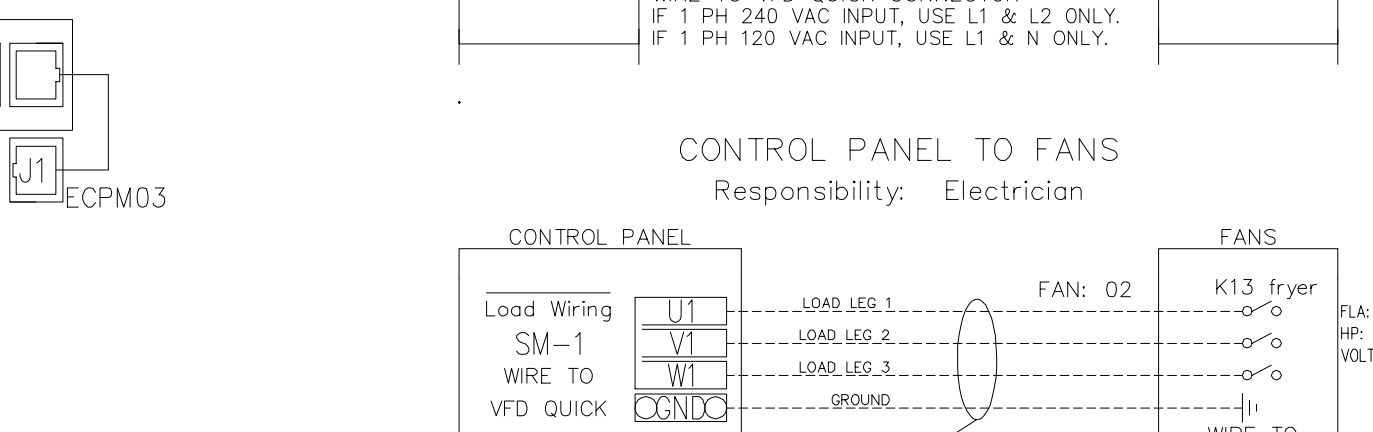
05 MAKE-UP AIR UNIT MAU WIRING DIAGRAM



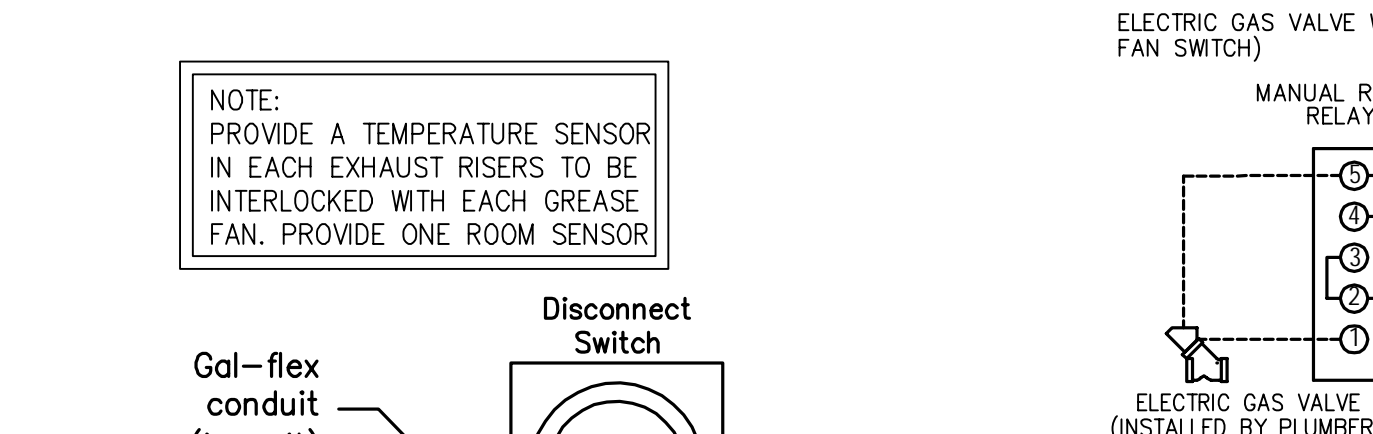
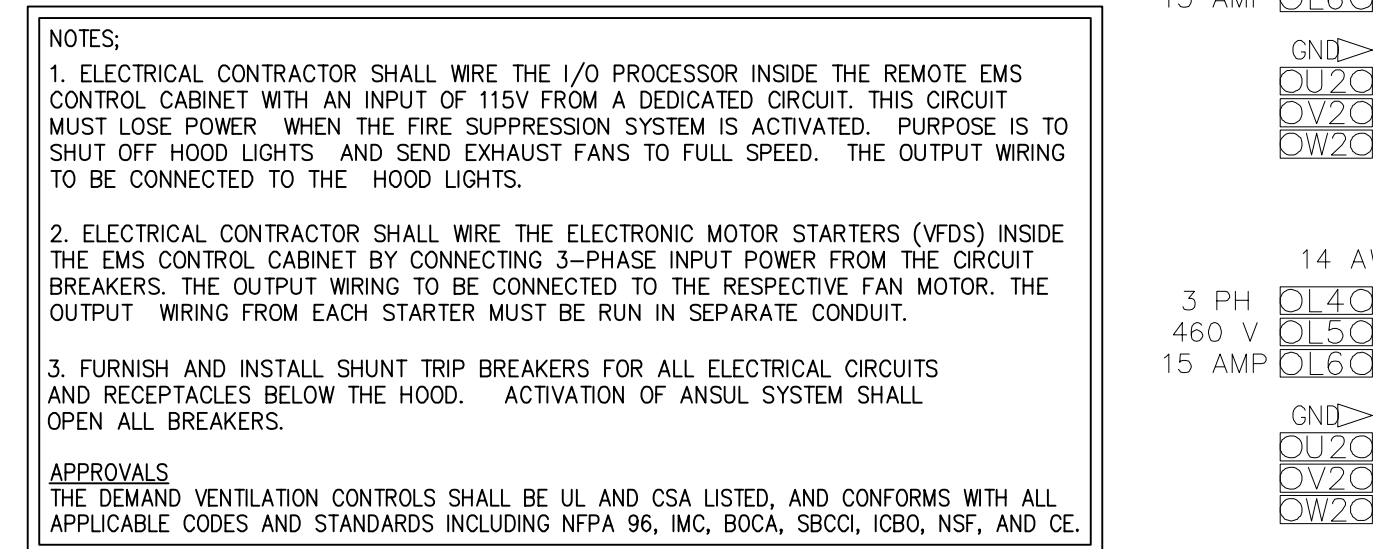
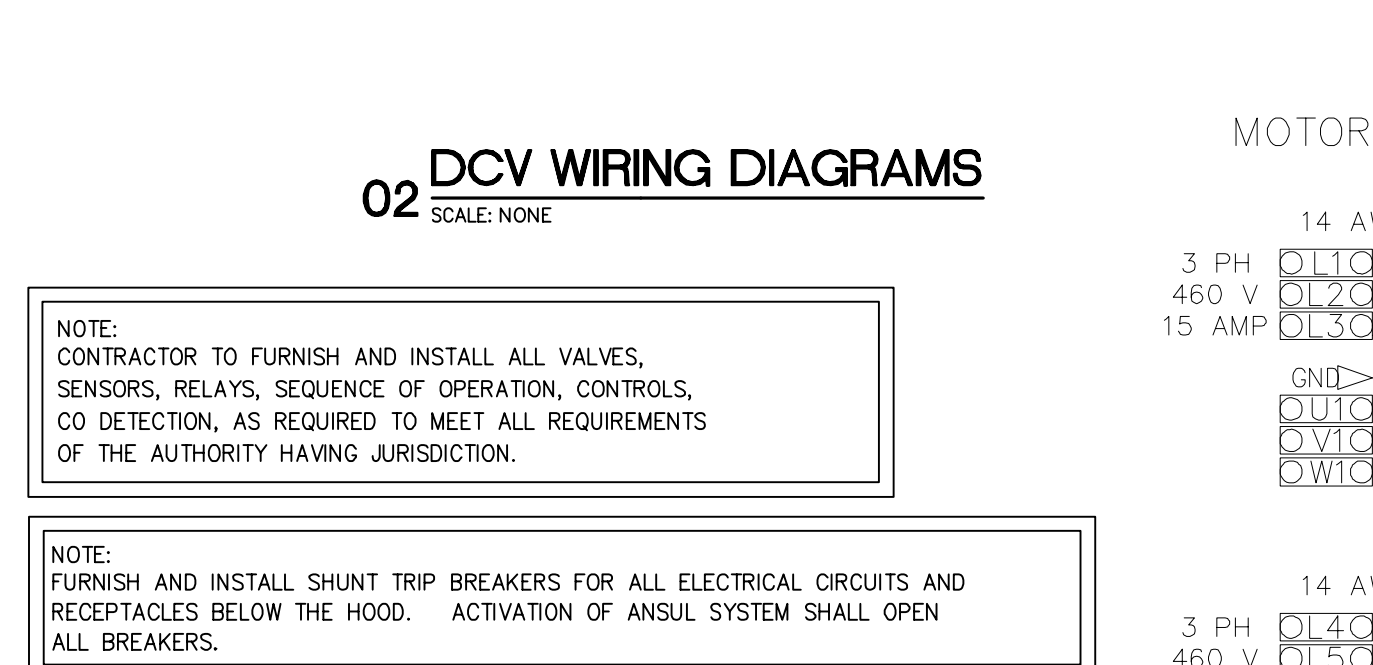
11 HOOD LIGHTS WIRING



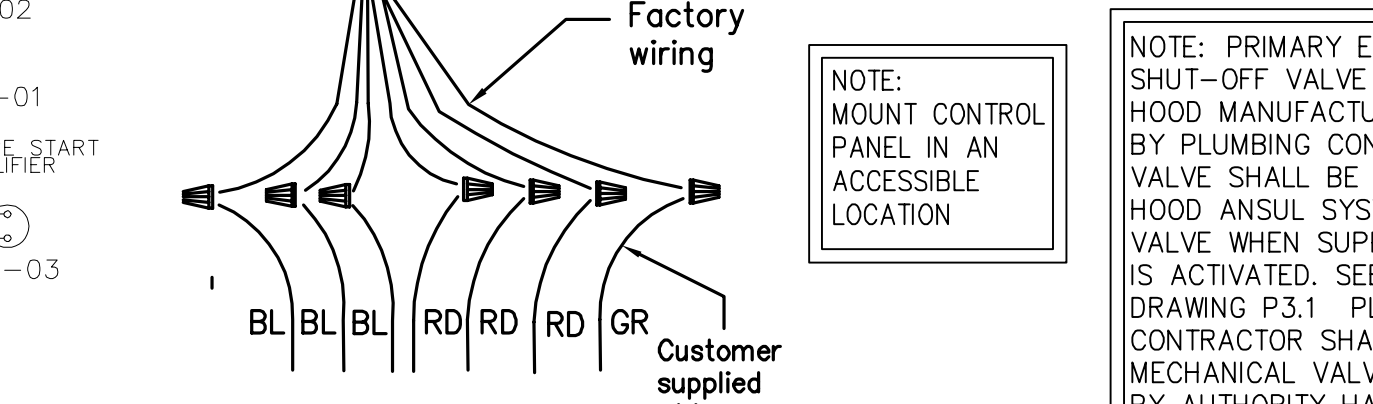
CONTROL PANEL TO ACCESSORY ITEMS



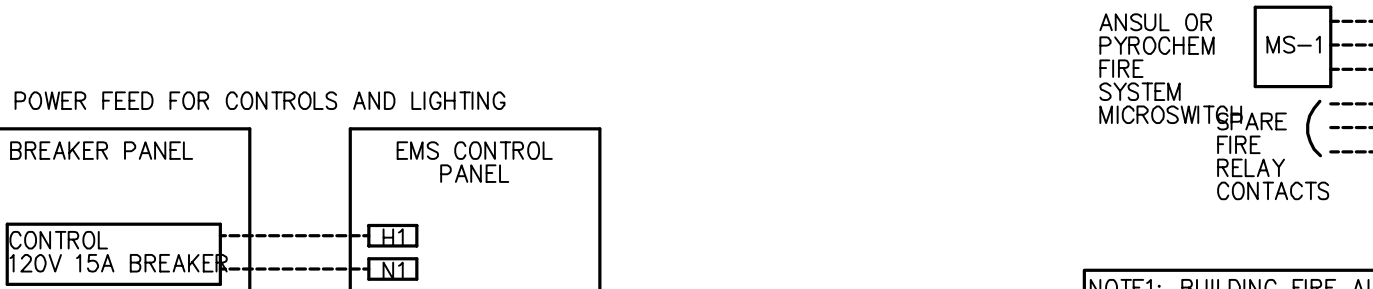
03 KITCHEN MAKE-UP AIR AND EXHAUST SYSTEM DCV CONTROL DIAGRAM



09 MULTIPLE FIRE SYSTEM MICROSWITCHES



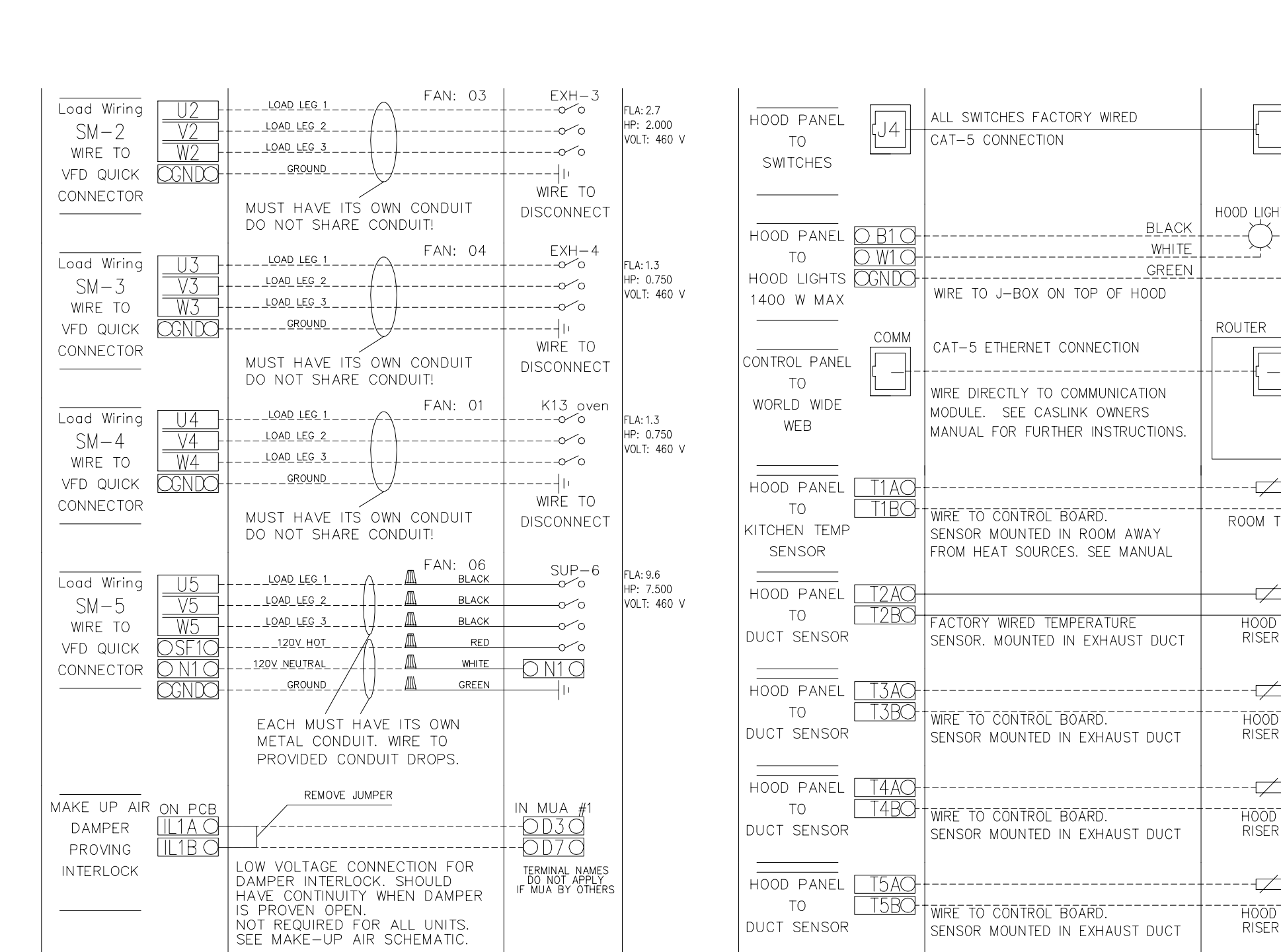
06 ELECTRONIC GAS VALVE WITH RESET



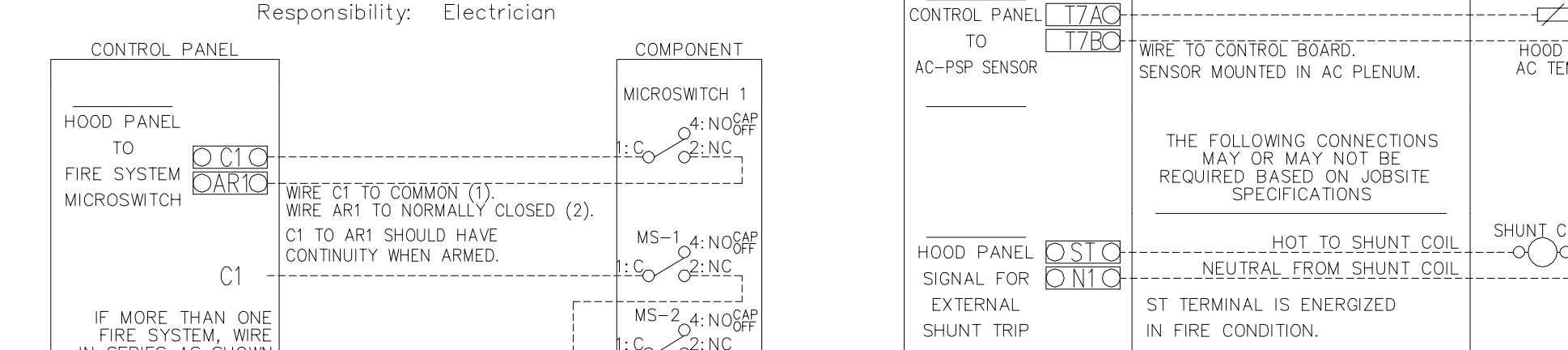
07 CONTROLS AND LIGHTING POWER FEED

08 FIRE SYSTEM MICROSWITCH

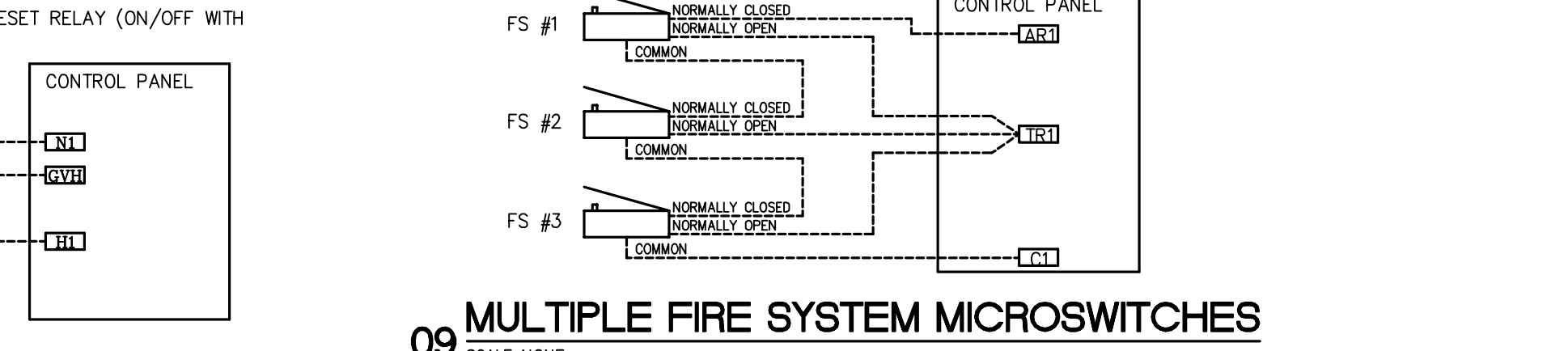
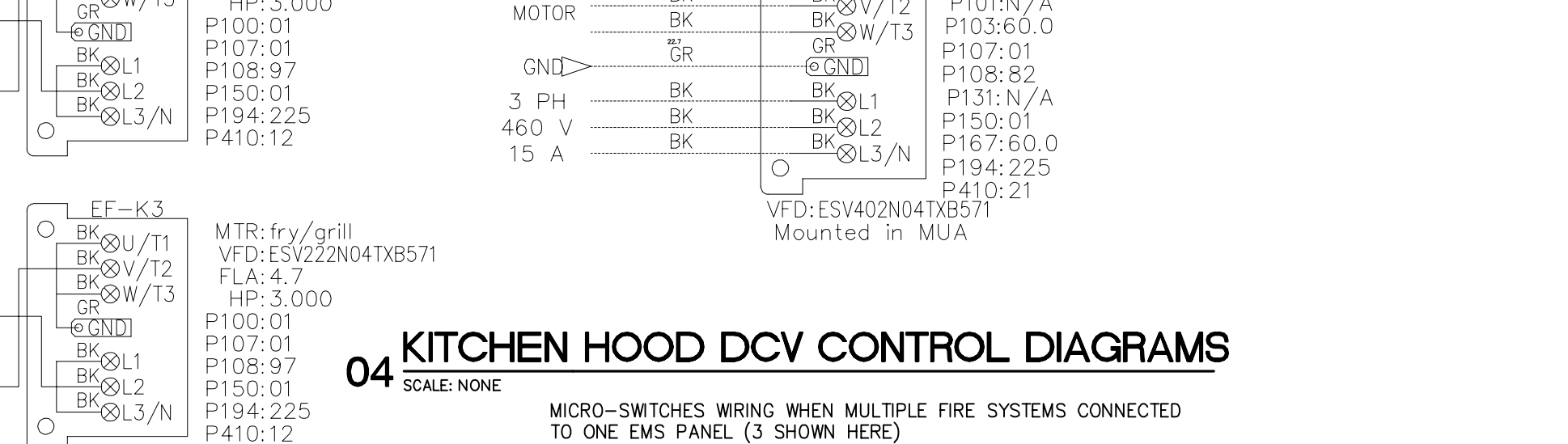
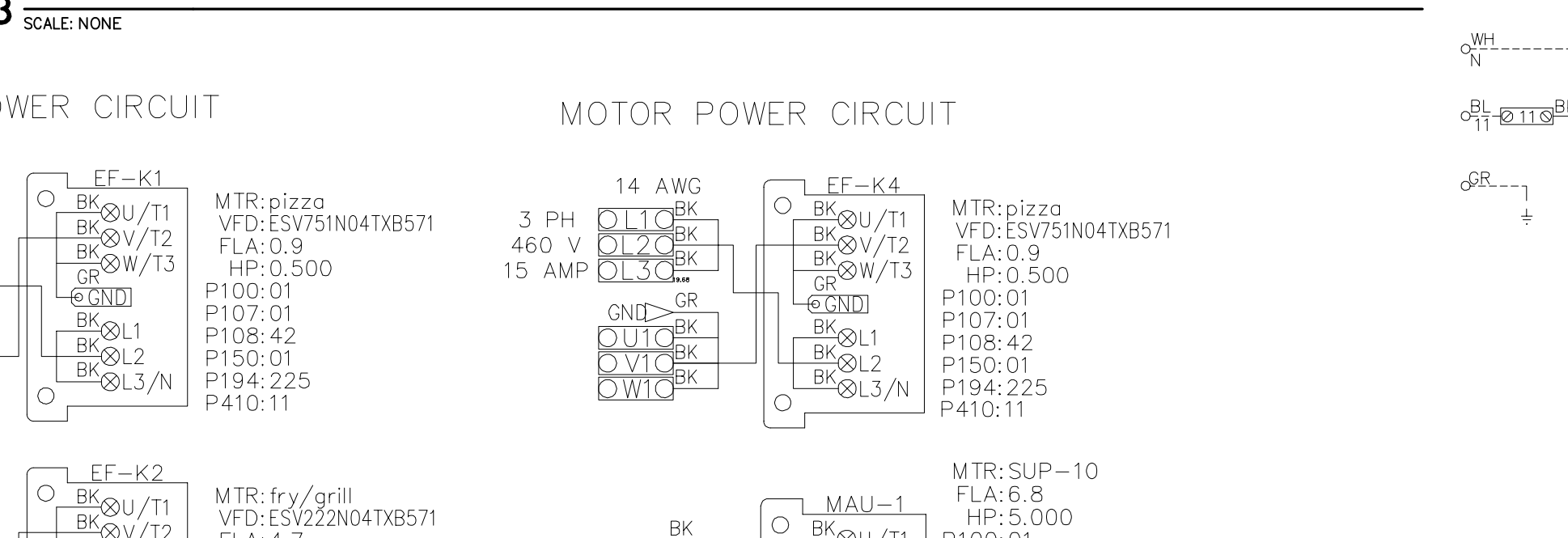
NOTE: ALL DETAILS ARE SIMILAR FOR EF-K1, K2, K3 AND MAU-1



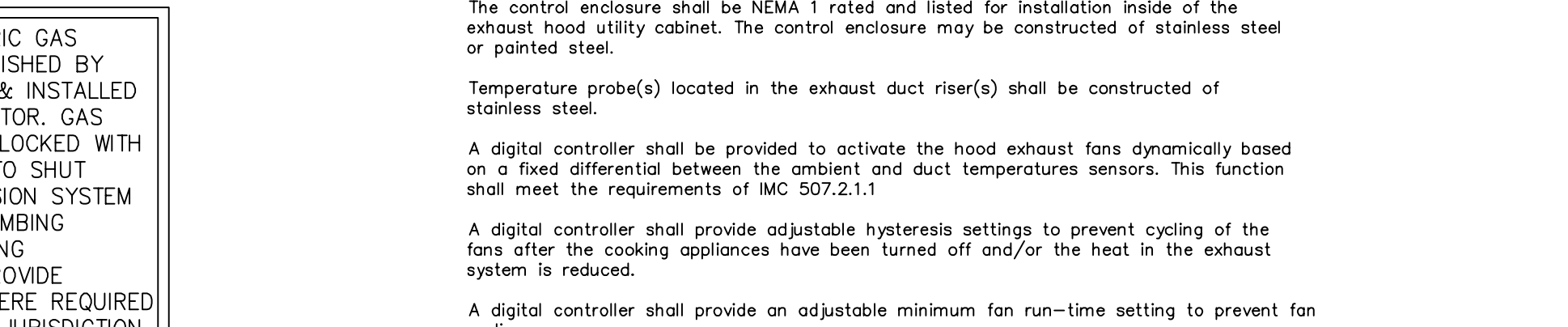
CONTROL PANEL TO ACCESSORY ITEMS



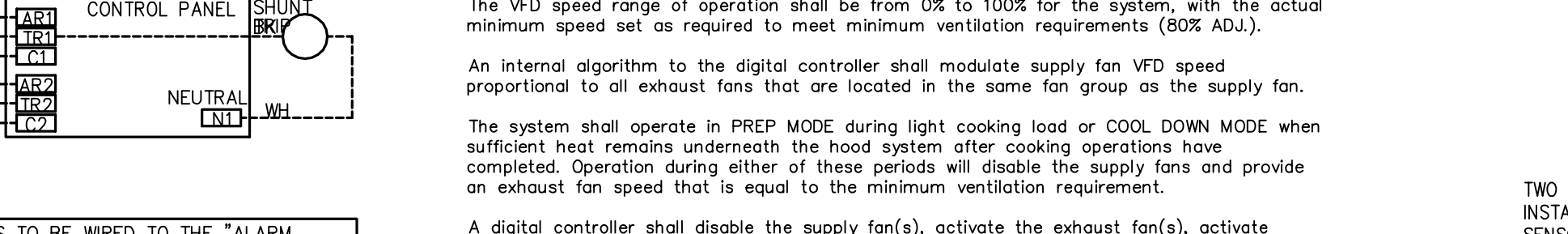
03 KITCHEN MAKE-UP AIR AND EXHAUST SYSTEM DCV CONTROL DIAGRAM



09 MULTIPLE FIRE SYSTEM MICROSWITCHES

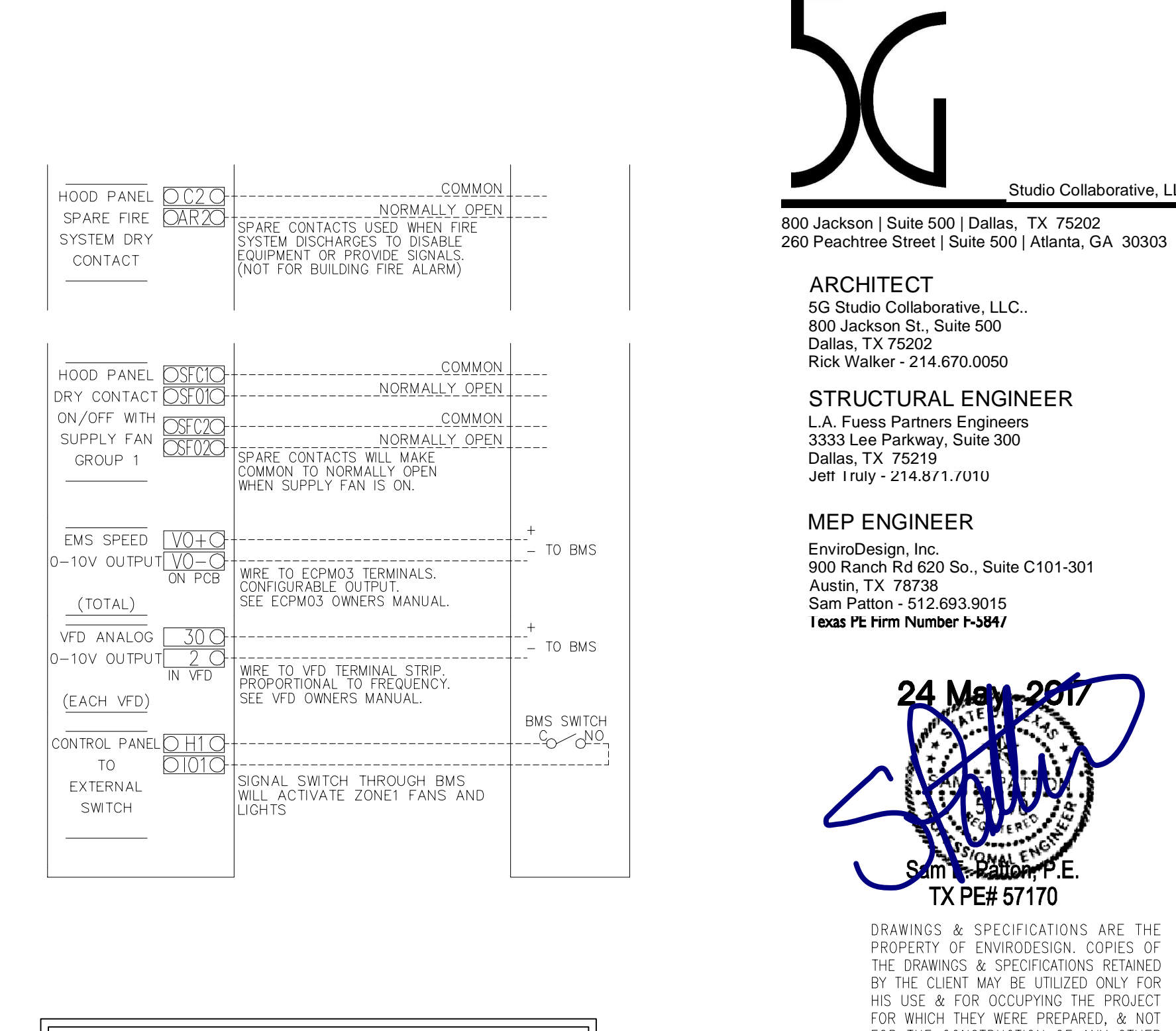


06 ELECTRONIC GAS VALVE WITH RESET

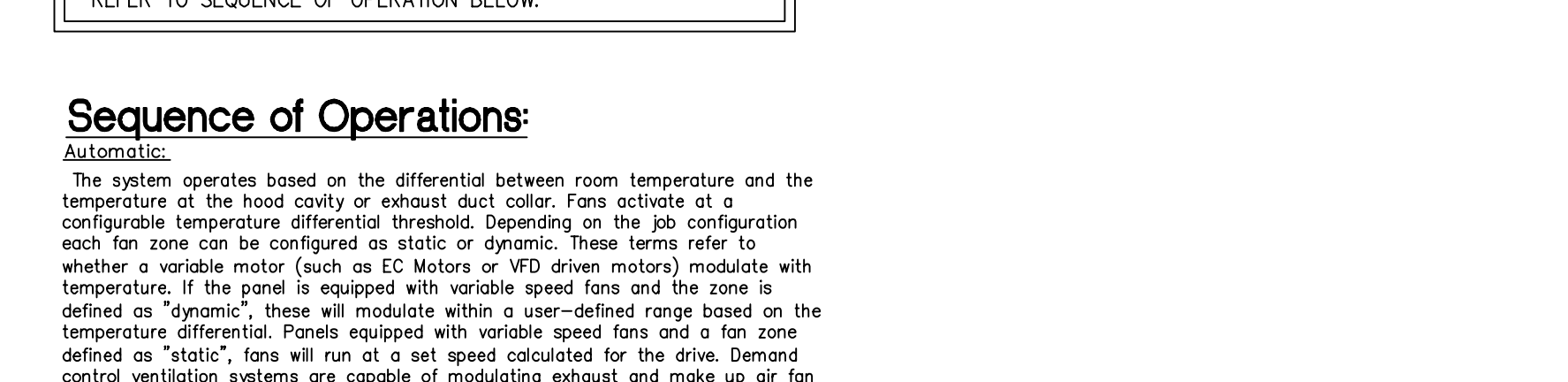


07 CONTROLS AND LIGHTING POWER FEED

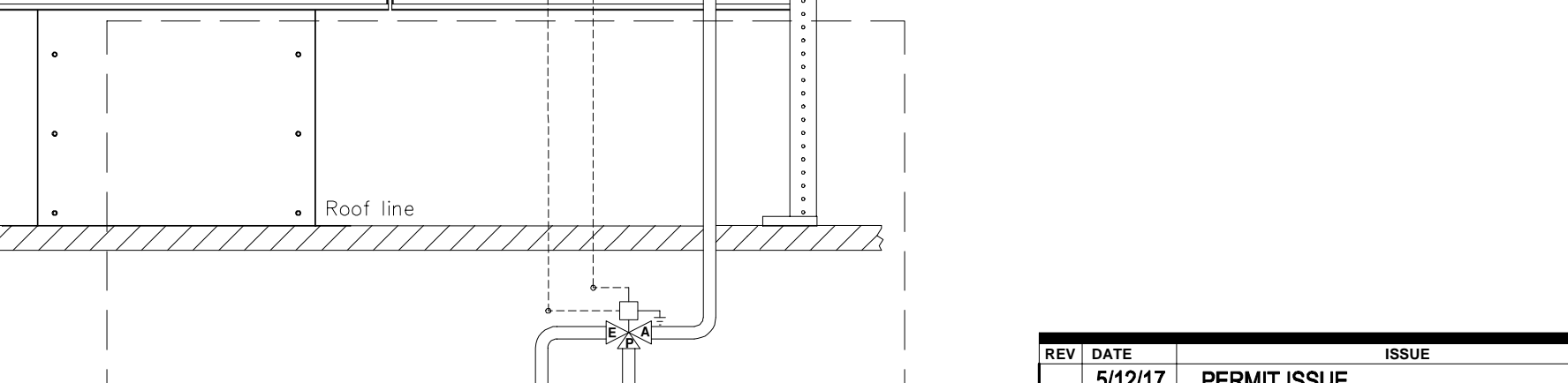
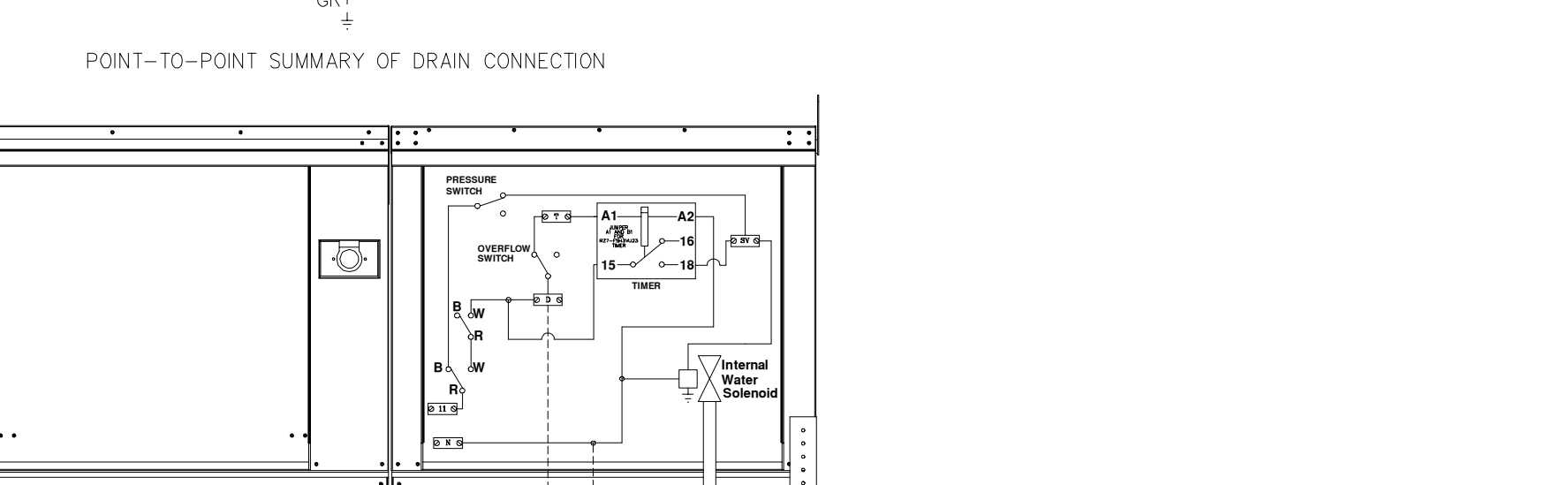
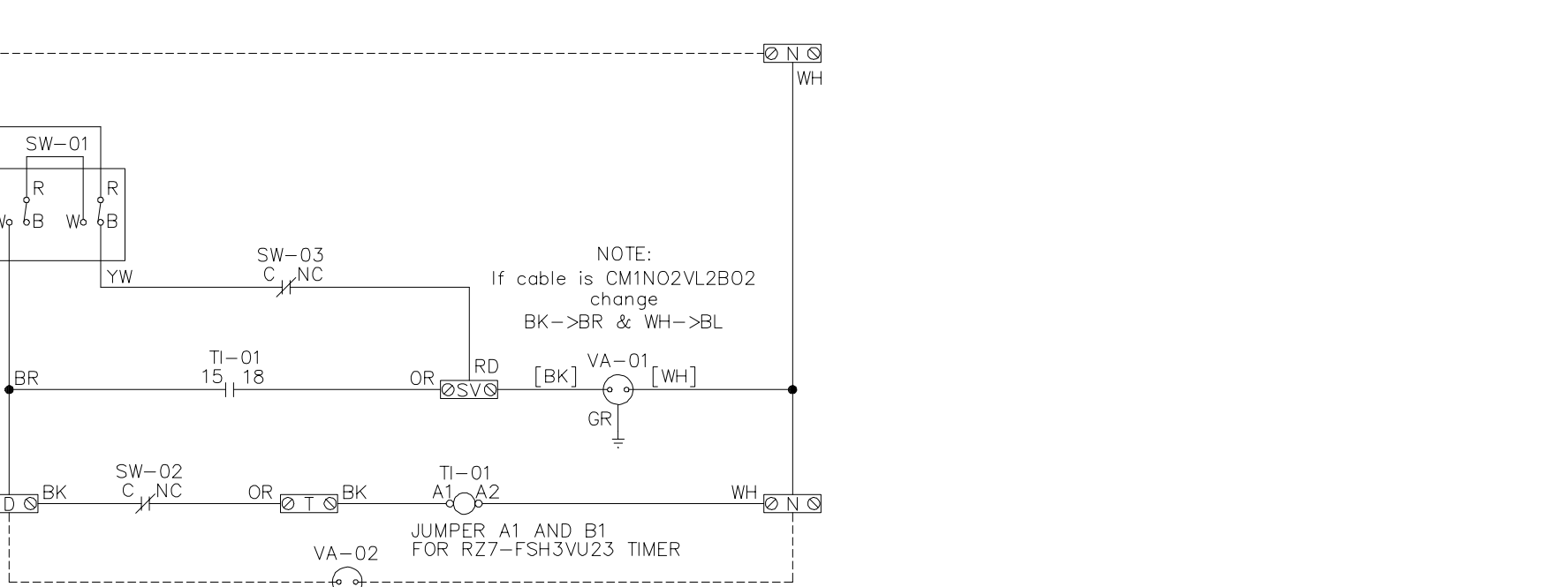
08 FIRE SYSTEM MICROSWITCH



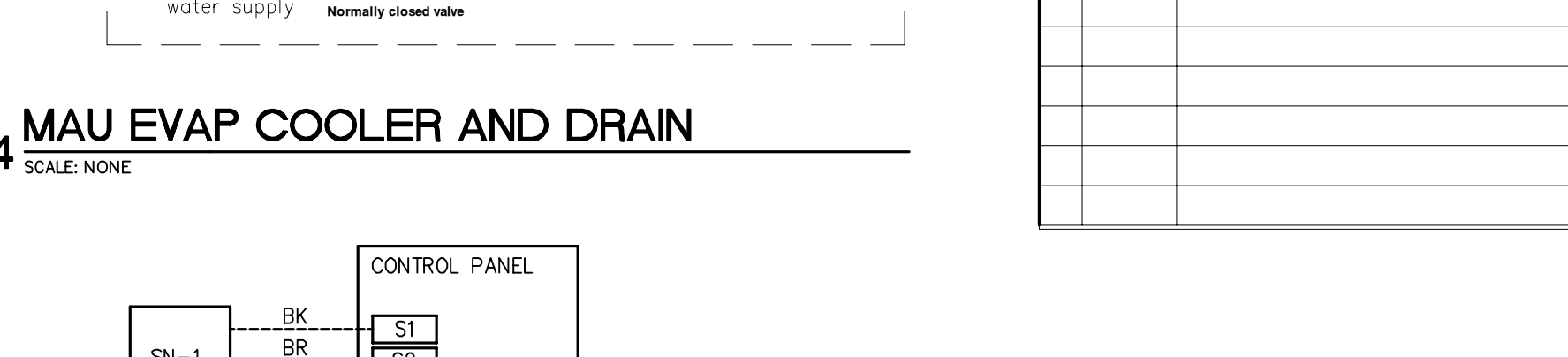
CONTROL PANEL TO ACCESSORY ITEMS



03 KITCHEN MAKE-UP AIR AND EXHAUST SYSTEM DCV CONTROL DIAGRAM



09 MULTIPLE FIRE SYSTEM MICROSWITCHES



06 ELECTRONIC GAS VALVE WITH RESET



07 CONTROLS AND LIGHTING POWER FEED

08 FIRE SYSTEM MICROSWITCH



10 HOOD TEMPERATURE SENSOR WIRING



5G Studio Collaborative, LLC. 800 Jackson St., Suite 500 Dallas, TX 75202 Rick Walker - 214.670.0050

ARCHITECT 5G Studio Collaborative, LLC. 800 Jackson St., Suite 500 Dallas, TX 75202 Rick Walker - 214.670.0050

STRUCTURAL ENGINEER L.A. Fruits Partners Engineers 3333 Lee Parkway, Suite 300 Dallas, TX 75219 Jeff Fray - 214.871.1710

MEP ENGINEER EnviroDesign, Inc. 900 Ranch Rd 820 So., Suite C101-301 Austin, TX 78738 Sam Patton - 512.693.8015



Drawings and specifications are the property of EnviroDesign. Copies of the drawings and specifications retained by the client may be utilized only for the use and for occupying the project for which they were prepared, and not for the construction of any other project.

Plotted By: Owner 24 May 2017 Drawing File: J:\Dropbox (EnviroDesign)\EnviroDesign Team Folder\Current\2017-055 Cinergy Amarillo\2017-055 MEP03.dwg

ALL DRAWINGS AND WRITTEN MATERIAL APPEARING HEREIN CONSTITUTE ORIGINAL AND UNPUBLISHED WORK OF THE ENGINEER AND MAY NOT BE DUPLICATED, USED OR DISCLOSED WITHOUT WRITTEN CONSENT OF ENVIRODESIGN, INC. © 2017 ENVIRODESIGN, INC. ALL RIGHTS RESERVED.

CINERGY AMARILLO SHEET DESCRIPTION MEP KITCHEN EXHAUST HOOD CONTROL DIAGRAMS AND DETAILS

2016-151 PROJECT NUMBER SHEET NUMBER