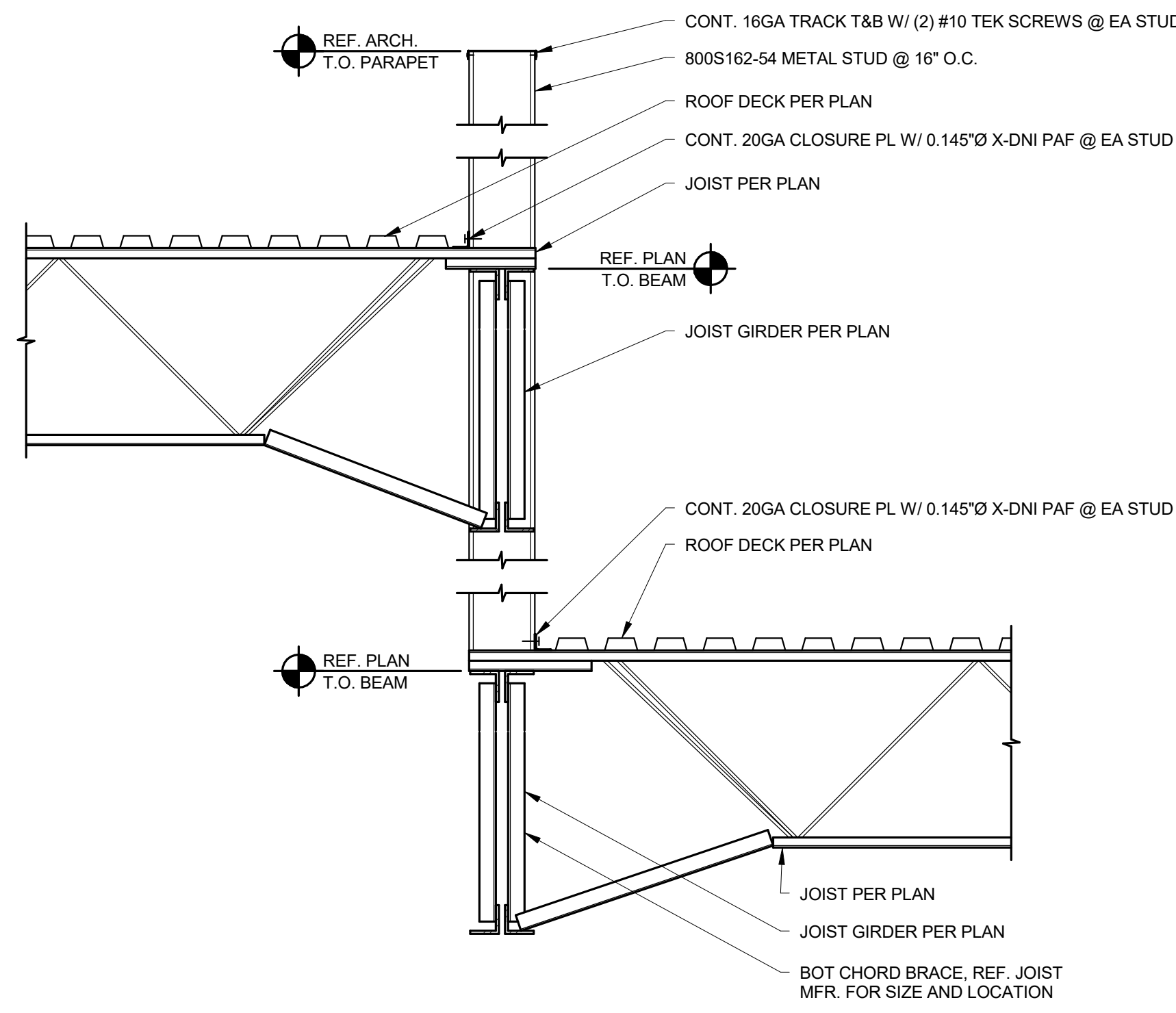




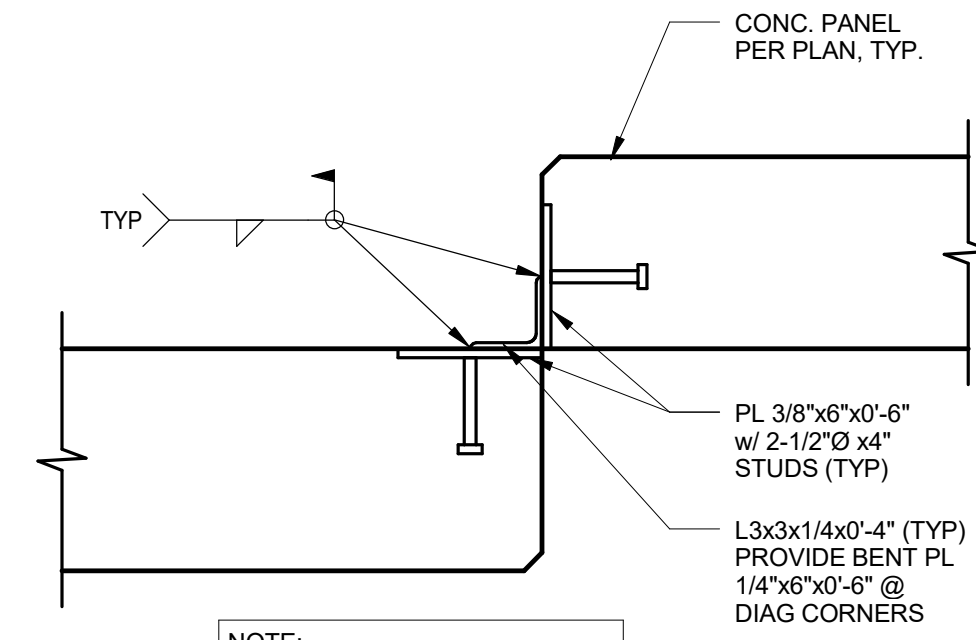
ARCHITECT  
5G Studio Collaborative, LLC.  
800 Jackson St., Suite 500  
Dallas, TX 75202  
(CONTACT)

STRUCTURAL ENGINEER  
L.A. Fuess Partners  
333 Lee Parkway, Suite 300  
Dallas, TX 75219  
(CONTACT)

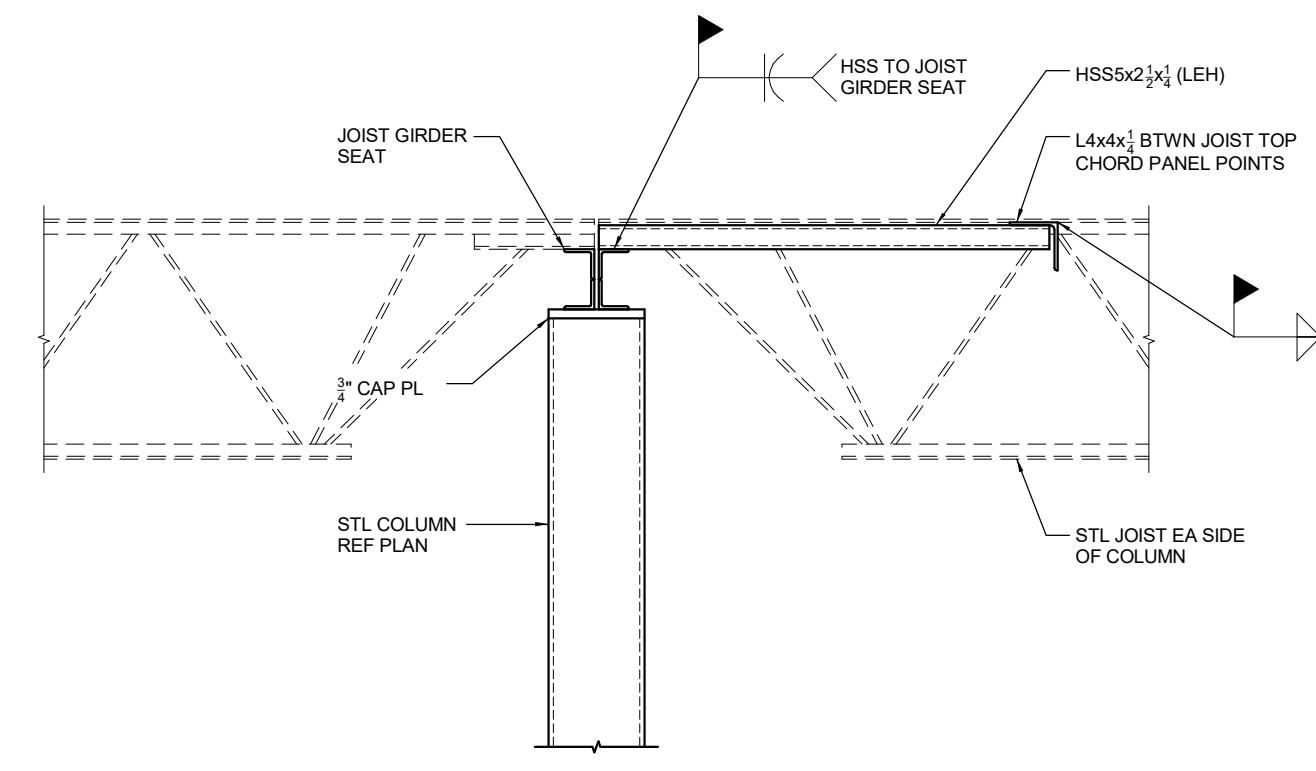
MEP ENGINEER  
Root Engineering Services  
43 FM 3356  
Van Alstyne, TX 75486  
Adam Harris 903.375.3303



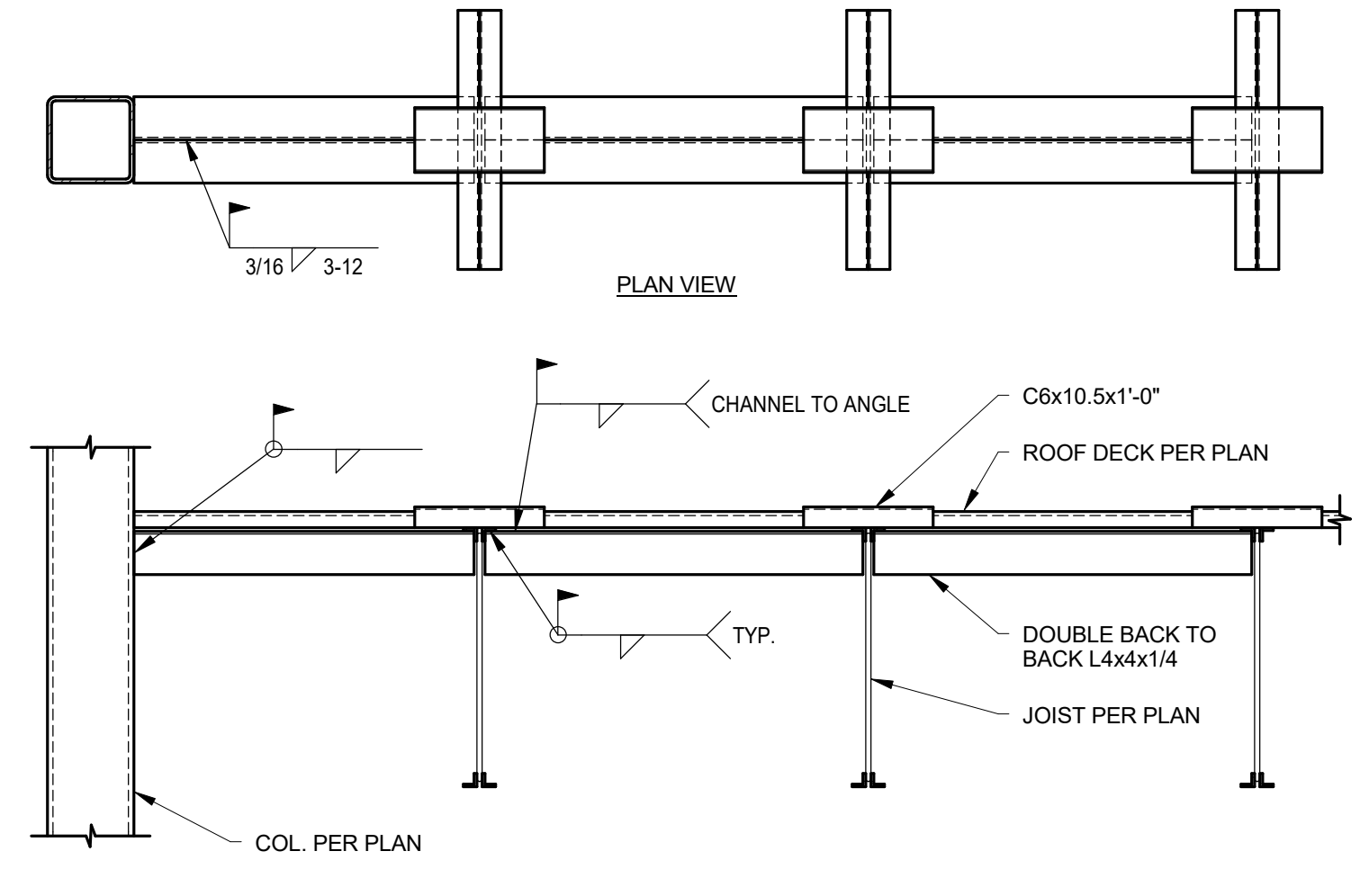
**1 SECTION AT PONY WALL**  
3/4" = 1'-0"



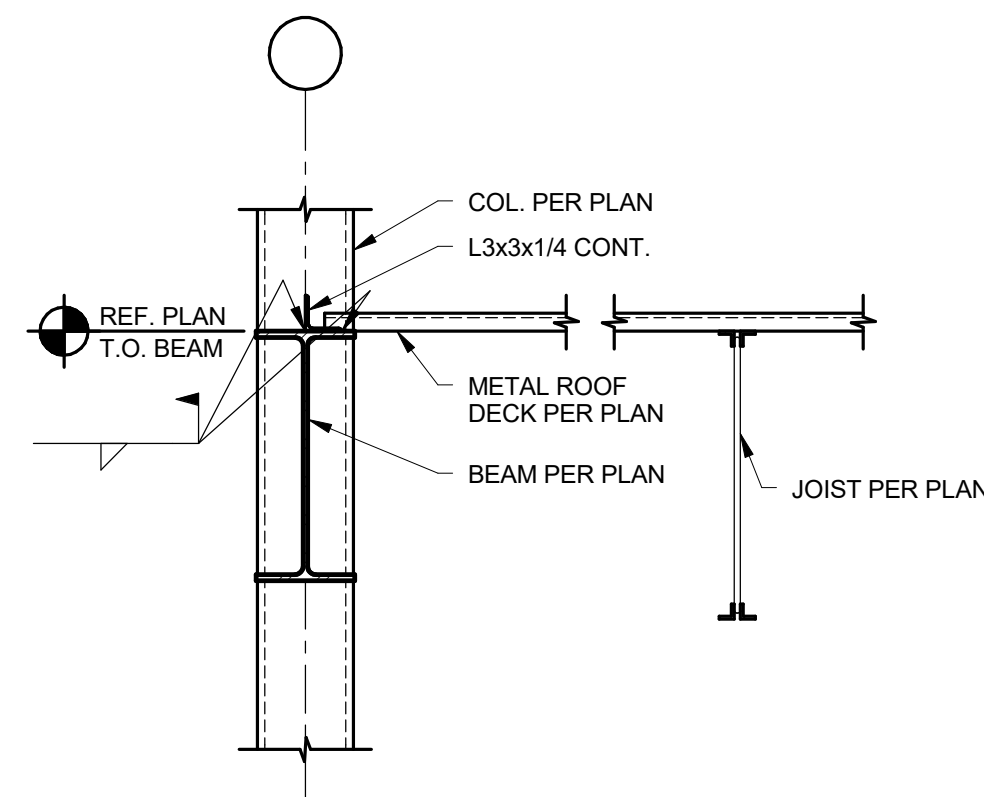
**2 PANEL STEP DETAIL**  
1 1/2" = 1'-0"



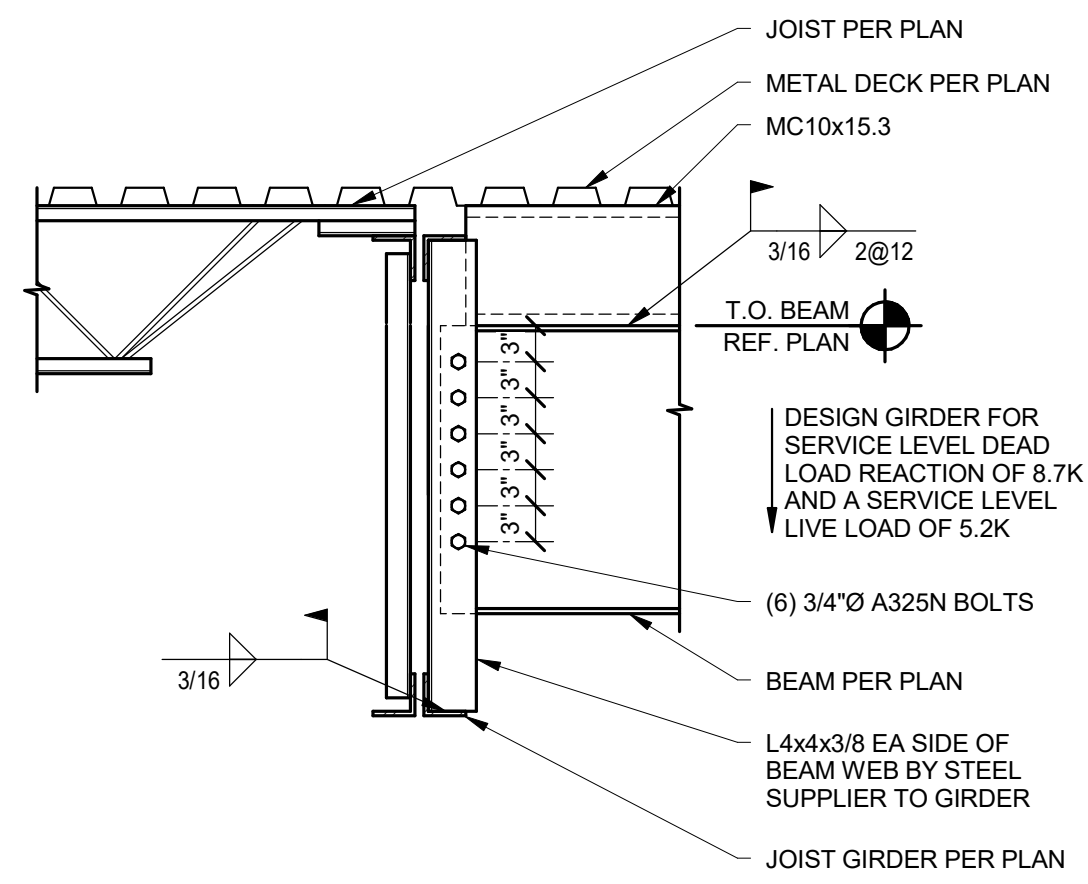
**3 COLUMN BRACE**  
3/4" = 1'-0"



**4 COLUMN BRACE**  
3/4" = 1'-0"



**5 LOW ROOF SECTION**  
3/4" = 1'-0"



**6 SECTION AT BEAM CONNECTION**  
3/4" = 1'-0"

05-24-2017



PROJECT NO. 15284 TX REG#02423  
**HUNT & JOINER, INC.**  
Consulting Structural Engineers

| REV. | DATE     | ISSUE TITLE   |
|------|----------|---------------|
| 1    | 05-24-17 | ISSUE FOR BID |
|      |          |               |
|      |          |               |
|      |          |               |
|      |          |               |
|      |          |               |
|      |          |               |
|      |          |               |
|      |          |               |
|      |          |               |

INCOMPLETE DOCUMENTS ARE FOR INTERIM REVIEW ONLY. NOT FOR REGULATORY APPROVAL, PERMIT OR CONSTRUCTION

CINERGY AMARILLO

ROOF FRAMING SECTIONS

XXXXX PROJECT NUMBER **S4.1** SHEET NUMBER