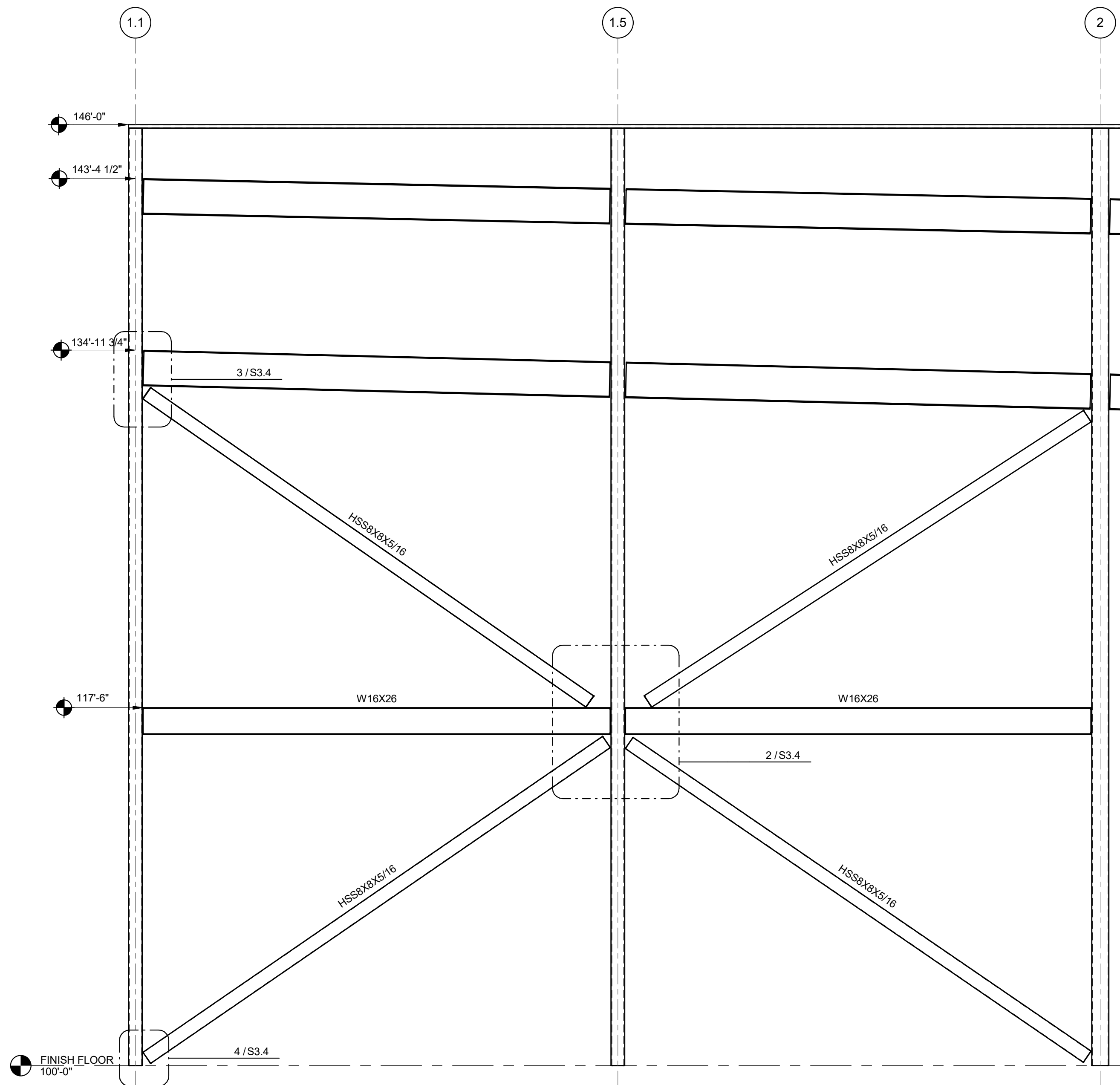




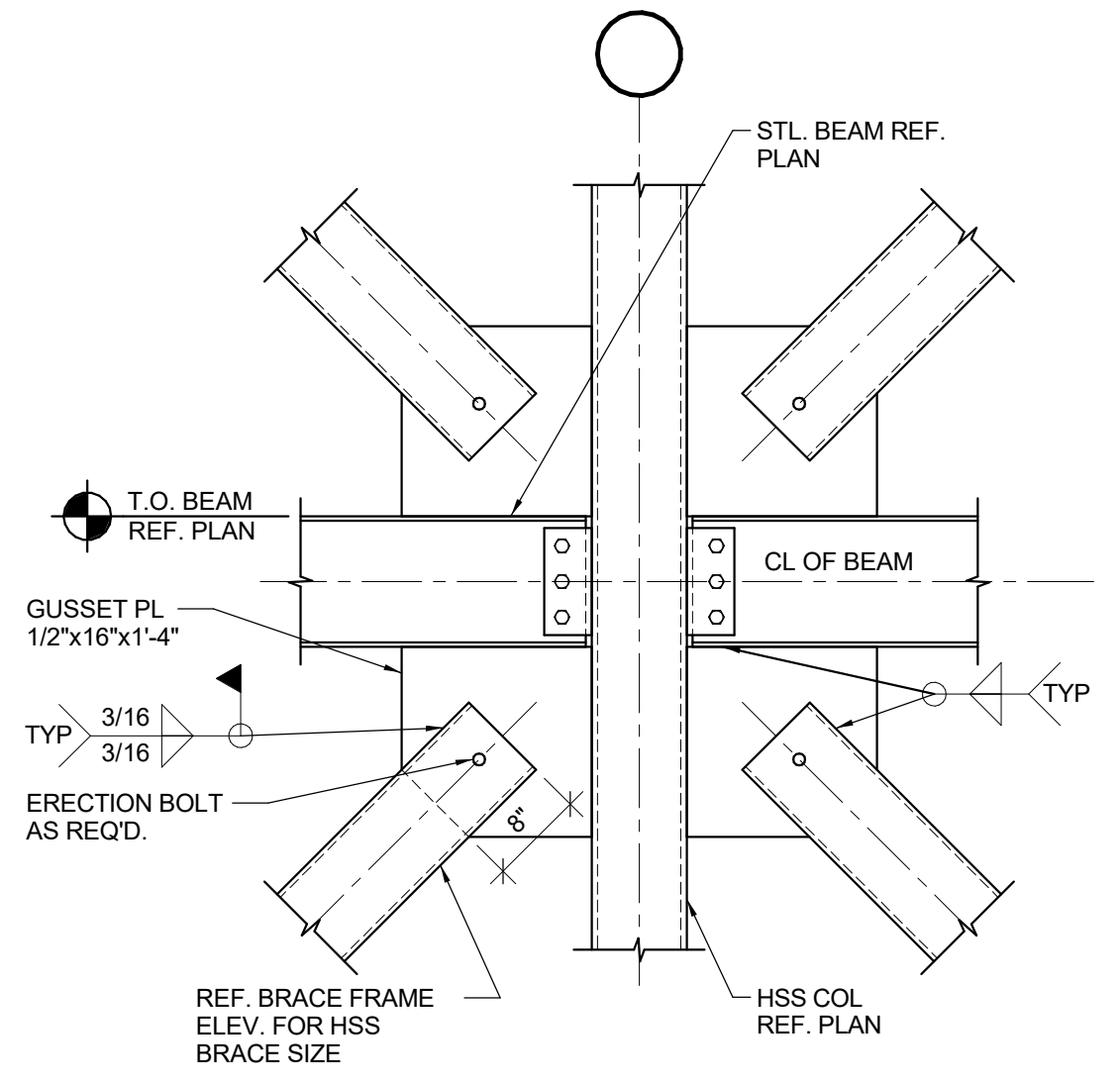
ARCHITECT
5G Studio Collaborative, LLC.
800 Jackson St., Suite 500
Dallas, TX 75202
(CONTACT)

STRUCTURAL ENGINEER
L.A. Fuess Partners
333 Lee Parkway, Suite 300
Dallas, TX 75219
(CONTACT)

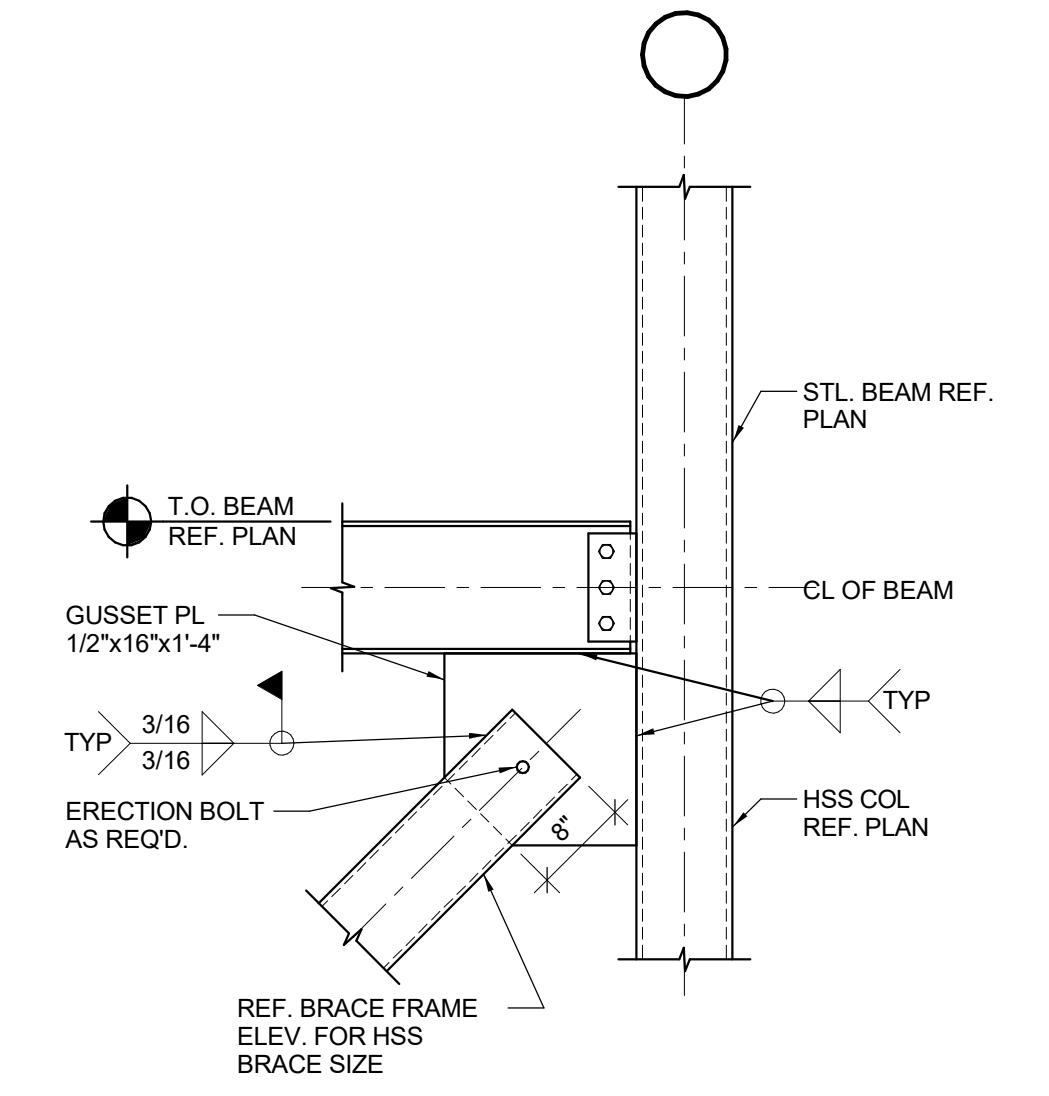
MEP ENGINEER
Root Engineering Services
43 FM 3356
Van Alstyne, TX 75496
Adam Harris 903.375.3303



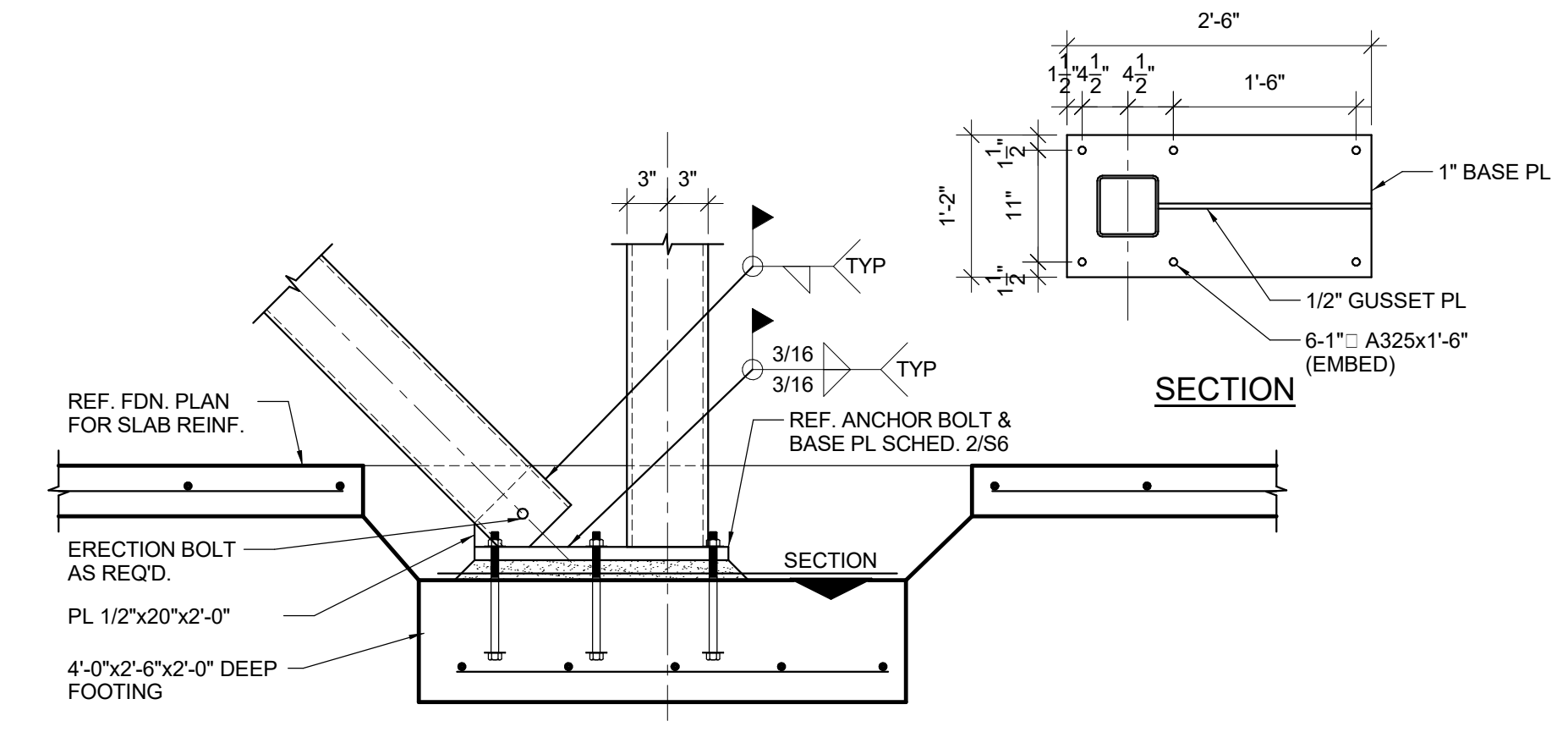
1 FRAMING ELEVATION
1/4" = 1'-0"



2 X BRACE DETAIL
3/4" = 1'-0"

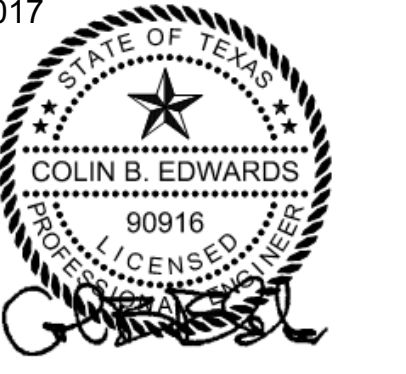


3 X BRACE DETAIL
3/4" = 1'-0"



4 X BRACE DETAIL
3/4" = 1'-0"

05-24-2017



PROJECT NO. 15284 TX REG. 0523
HUNT & JOINER, INC.
Consulting Structural Engineers

REV.	DATE	ISSUE TITLE

CINERGY AMARILLO

X BRACE DETAILS

XXXXX PROJECT NUMBER **S3.4** SHEET NUMBER