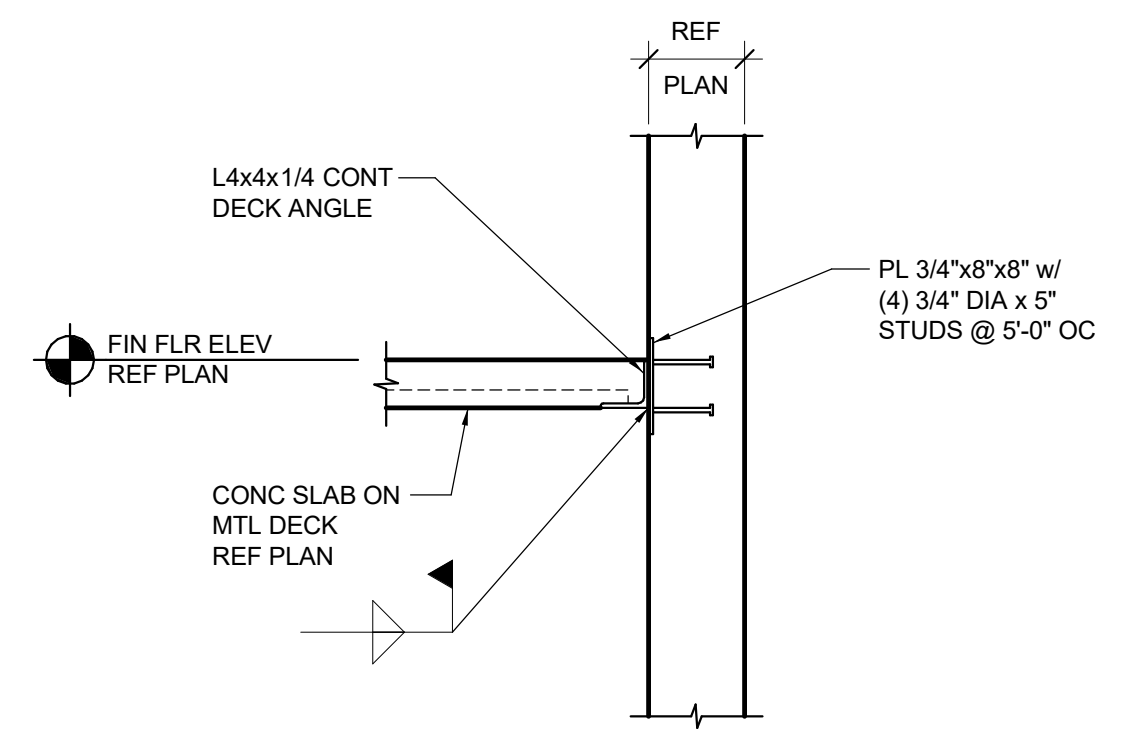


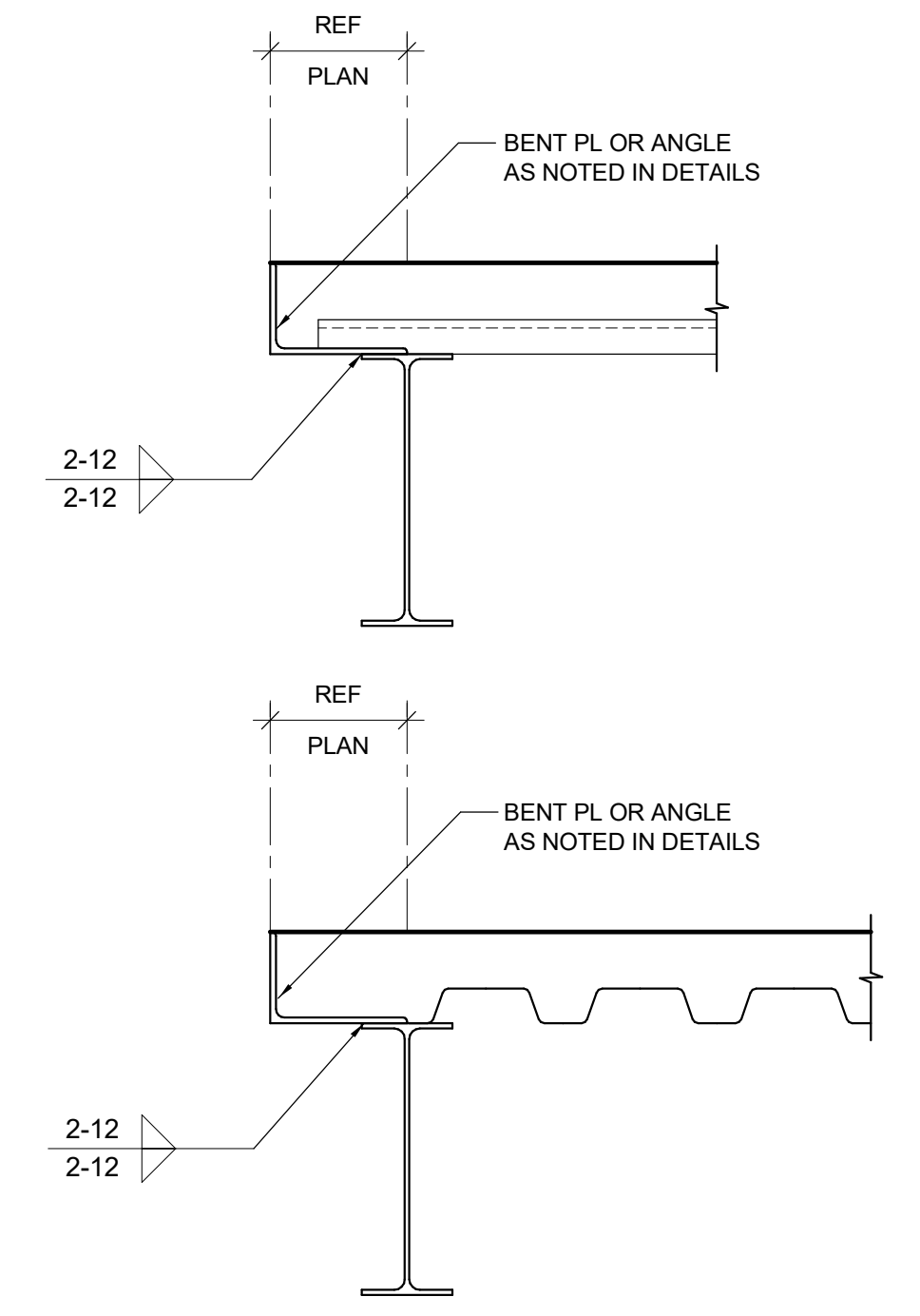
BEAM SIZE	EMBED PLATE	SHEAR TAB
W8/W10	PL 3/4 x 12 x 12" w/ (4) 3/4 DIA x 5" STUDS	5/16" x 4" x 5/8" w/ (2) 3/4" ASTM A325 BOLTS
W12/W14	PL 3/4 x 12 x 12" w/ (4) 3/4 DIA x 5" STUDS	5/16" x 4" x 1/2" w/ (3) 3/4" ASTM A325 BOLTS

*SPACE STUDS 8" OC IN THE VERTICAL DIRECTION, 8" IN THE HORIZONTAL DIRECTION, AND 2" FROM EDGE OF PL

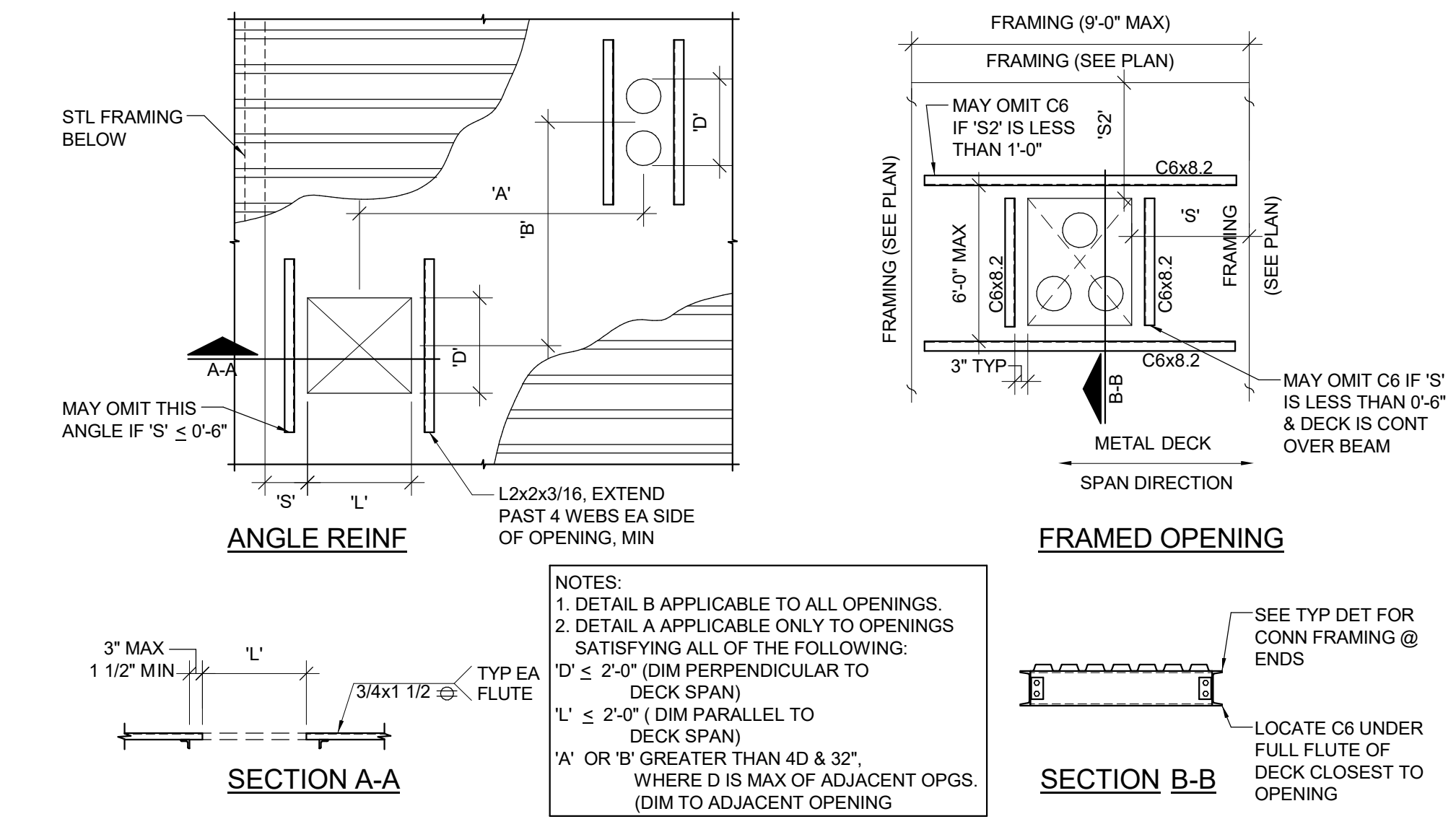
1 BEAM TO PANEL CONNECTION
3/4" = 1'-0"



2 DECK TO PANEL CONN.
3/4" = 1'-0"

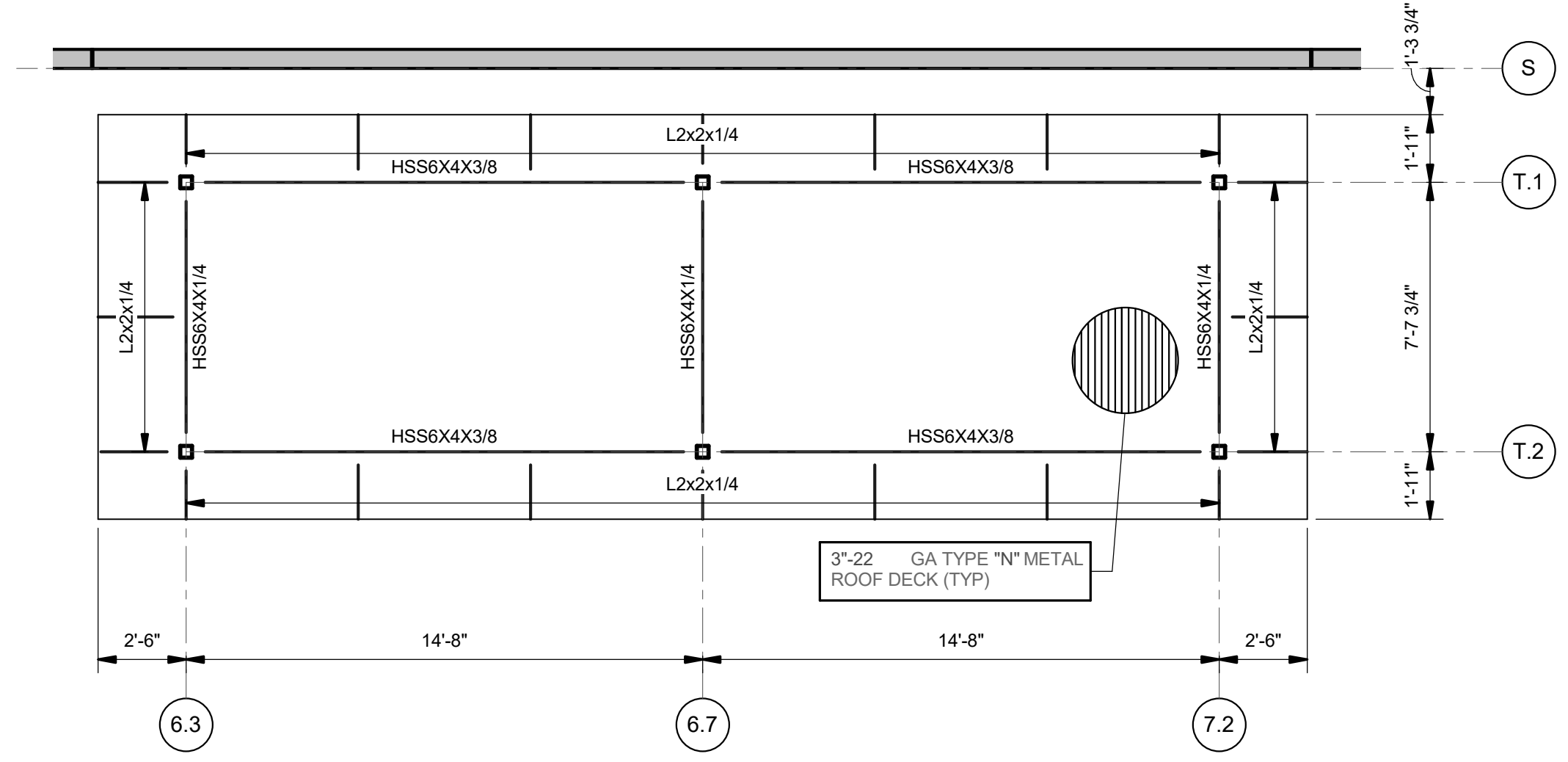


3 EDGE OF DECK CONDITIONS
3/4" = 1'-0"

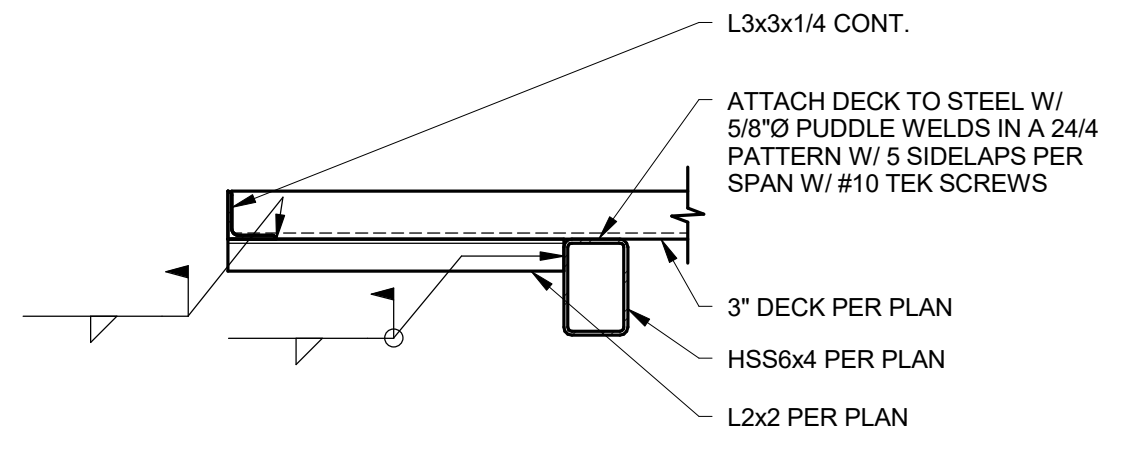


4 TYP. SLAB OPENINGS
3/8" = 1'-0"

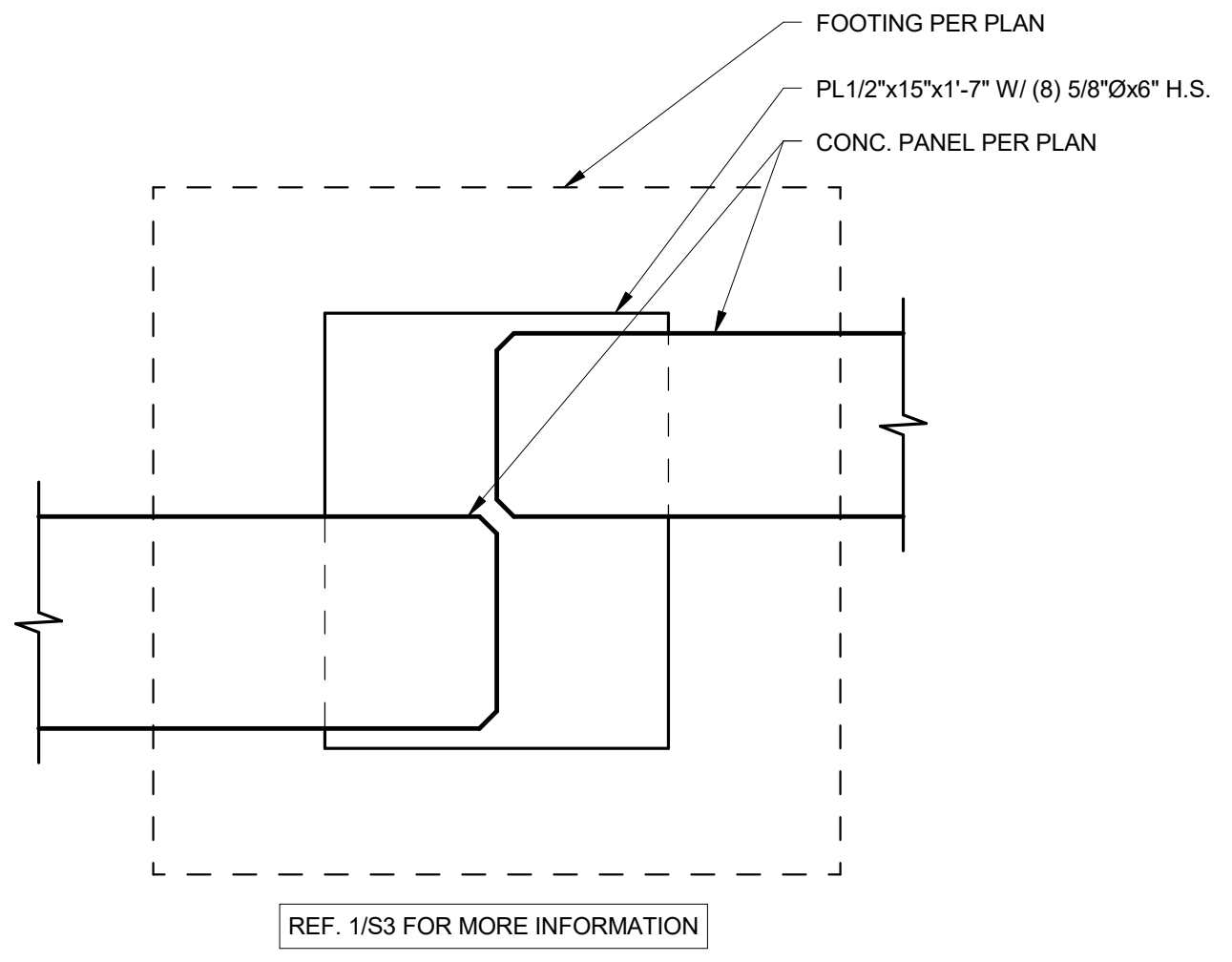
NOTES:
1. DETAIL B APPLICABLE TO ALL OPENINGS.
2. DETAIL A APPLICABLE ONLY TO OPENINGS SATISFYING ALL OF THE FOLLOWING:
D' ≤ 2'-0" (DIM PERPENDICULAR TO DECK SPAN)
L' ≤ 2'-0" (DIM PARALLEL TO DECK SPAN)
'A' OR 'B' GREATER THAN 4D + 32"
WHERE D IS MAX OF ADJACENT OPGS. (DIM TO ADJACENT OPENING)



5 ENTRY CANOPY FRAMING PLAN
1/4" = 1'-0"



6 CANOPY SECTION
1" = 1'-0"



7 PANEL STEP AT FOOTING
1 1/2" = 1'-0"

05-24-2017



PROJECT NO: 15284
HUNT & JOINER, INC.
Consulting Structural Engineers

REV.	DATE	ISSUE TITLE
1	05-24-17	ISSUE FOR BID

INCOMPLETE DOCUMENTS ARE FOR INTERIM REVIEW ONLY. NOT FOR REGULATORY APPROVAL, PERMIT OR CONSTRUCTION

CINERY AMARILLO

MEZZANINE FRAMING SECTIONS

XXXXX PROJECT NUMBER **S3.3** SHEET NUMBER