

ARCHITECT
5G Studio Collaborative, LLC.
800 Jackson St., Suite 500
Dallas, TX 75202
Ian Means 214-646-1508

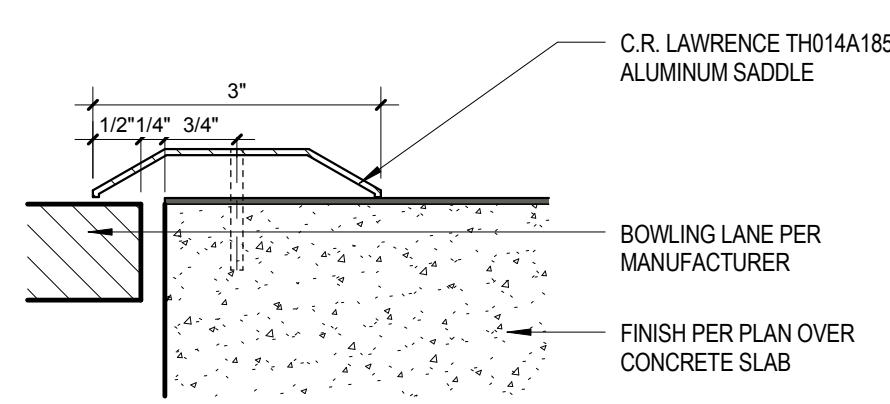
STRUCTURAL ENGINEER
Hunt & Joiner, Inc.
1120 Capitol of Texas Highway Suite 100
Austin, TX 78746
Colin Edwards 512-358-8788

MEP ENGINEER
Envirodesign
900 Ranch Road 620 South, Suite C101-301
Austin, TX 78734
Sara Patton 512-693-9015

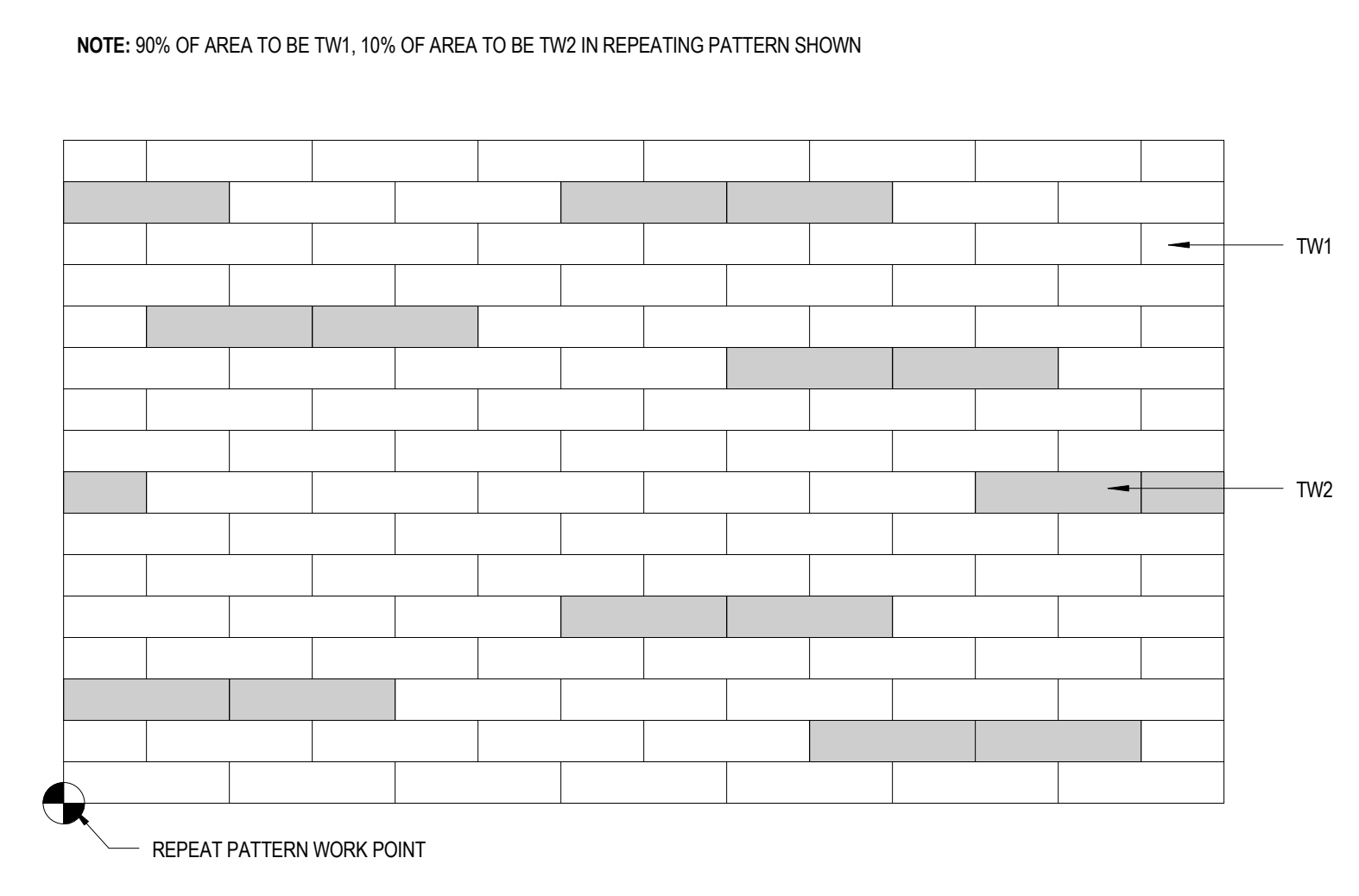
CIVIL ENGINEER
Maverick Engineering
1909 West Wall Street, Suite K
Midland, TX 79701
Andrew Ashkin 432-282-0999

OWNER
Cinergy Cinemas & Entertainment
5720 LBJ Freeway, Suite 625
Dallas, TX 75240
Jeffrey Benson 469-804-7475

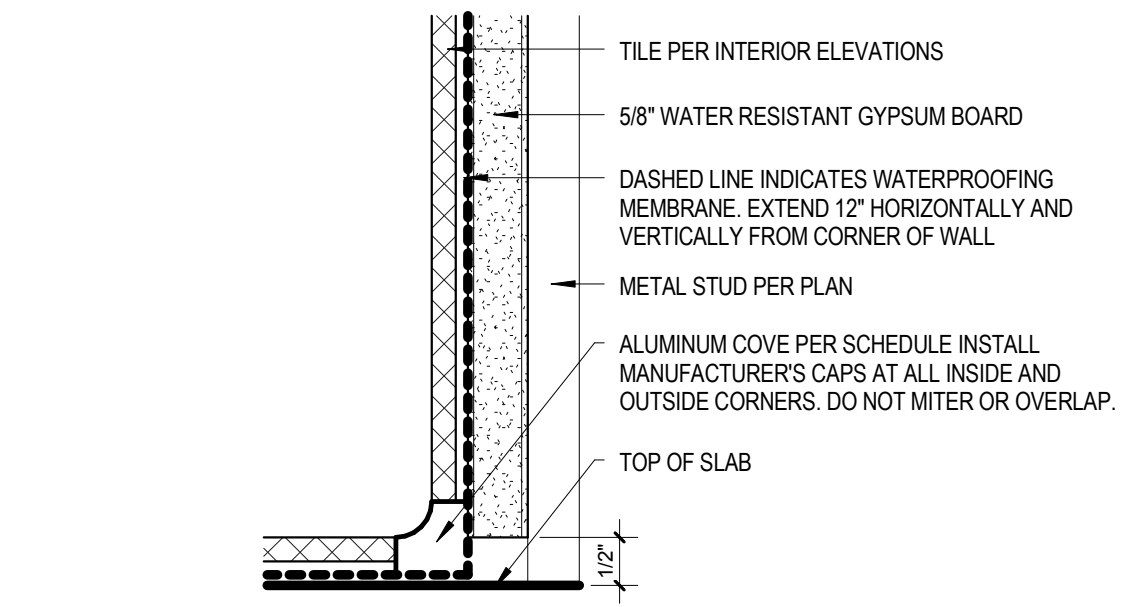
ROOM FINISH SCHEDULE							NOTE
NUMBER	ROOM NAME	BASE	WALL FINISHES				
			NORTH	EAST	SOUTH	WEST	
100	VESTIBULE	B1	-	V4	-	V4	
101	GAME	B1	SEE ELEV.	SEE ELEV.	SEE ELEV.	SEE ELEV.	
102	SALES	B1	-	V4	V5	-	
103	OFFICE	B1	-	-	-	V4	
104	OFFICE	B1	-	-	V5	V4	
105	SEATING	B1	-	V2	V2	V2	
106	BAR	B2	-	-	-	-	
107	SCULLERY	B2	FP1	FP1	FP1	FP1	
108	PROMENADE	B1	SEE ELEV.	SEE ELEV.	SEE ELEV.	SEE ELEV.	
109	PROMENADE	B1	SEE ELEV.	SEE ELEV.	SEE ELEV.	SEE ELEV.	
110	STORAGE	B1	P4	P4	P4	P4	
111	AUD. 01 VEST.	B1	V1	-	V1	V3	
112	AUD. 01 EPIC ENTRY	-	WC1	WC1	WC1	WC1	
113	AUD. 01 EPIC	-	SEE ELEV.	SEE ELEV.	SEE ELEV.	SEE ELEV.	
114	AUD. 02 VEST.	B1	V1/V2	-	V1/V2	V3	
115	AUD. 02 ENTRY	-	V1	WC1	V1	WC1	
116	AUD. 02	B1	SEE ELEV.	SEE ELEV.	SEE ELEV.	SEE ELEV.	
118	JANITOR	B1	FP1	FP1	FP1	FP1	
119	TECH STOR.	B1	P4	P4	P4	P4	
120	KITCHEN STOR.	B1	P4	P4	P4	P4	
121	REDEMPTION STOR. 02	B1	P4	P4	P4	P4	
122	AUD. 03, 04 VEST.	B1	V1	-	V1	V3	
123	AUD. 03 ENTRY	-	WC1	WC1	WC1	WC1	
124	AUD. 03	-	SEE ELEV.	SEE ELEV.	SEE ELEV.	SEE ELEV.	
125	AUD. 04 ENTRY	-	WC1	WC1	WC1	WC1	
126	AUD. 04	-	SEE ELEV.	SEE ELEV.	SEE ELEV.	SEE ELEV.	
127	G.M. OFFICE	B1	P4	P4	P4	P4	
128	VEST.	B1	V1/V2	V1/V2	V1/V2	-	
129	MAIN OFFICE	B1	P4	P4	P4	P4	
130	AUDIT	B1	P4	P4	P4	P4	
132	AUD. 05, 06 VEST.	B1	V1	-	V1	V3	
133	AUD. 05 ENTRY	-	WC1	WC1	WC1	WC1	
134	AUD. 05	-	SEE ELEV.	SEE ELEV.	SEE ELEV.	SEE ELEV.	
135	AUD. 06 ENTRY	-	WC1	WC1	WC1	WC1	
136	AUD. 06	-	SEE ELEV.	SEE ELEV.	SEE ELEV.	SEE ELEV.	
137	RECEIVING	B1	P4	P4	P4	P4	
138	AUD. 07, 08 VEST.	B1	V1	V3	V1	-	
139	AUD. 07 ENTRY	-	WC1	WC1	WC1	WC1	
140	AUD. 07	-	SEE ELEV.	SEE ELEV.	SEE ELEV.	SEE ELEV.	
141	AUD. 08 ENTRY	B1	WC1	WC1	WC1	WC1	
142	AUD. 08	-	SEE ELEV.	SEE ELEV.	SEE ELEV.	SEE ELEV.	
143	AUD. 09, 10 VEST.	B1	V1	V3	V1	-	
144	AUD. 09 ENTRY	-	WC1	WC1	WC1	WC1	
145	AUD. 09	-	SEE ELEV.	SEE ELEV.	SEE ELEV.	SEE ELEV.	
146	AUD. 10 ENTRY	-	WC1	WC1	WC1	WC1	
147	AUD. 10	-	SEE ELEV.	SEE ELEV.	SEE ELEV.	SEE ELEV.	
148	CORRIDOR	B1	P4	P4	P4	P4	INSTALL MASONTE TO 4'-0" AFF AT PERIMETER OF ROOM
149	STORAGE	B2	FP1	FP1	FP1	FP1	
150	KITCHEN	B2	FP1	FP1	FP1	FP1	
151	WOMEN	B3	SEE ELEV.	SEE ELEV.	SEE ELEV.	SEE ELEV.	
152	VEST.	B3	SEE ELEV.	SEE ELEV.	SEE ELEV.	SEE ELEV.	
153	WOMENS LAV.	B3	SEE ELEV.	SEE ELEV.	SEE ELEV.	SEE ELEV.	
154	VEST.	B3	SEE ELEV.	SEE ELEV.	SEE ELEV.	SEE ELEV.	
155	MENS LAV.	B3	SEE ELEV.	SEE ELEV.	SEE ELEV.	SEE ELEV.	
156	MENS	B3	SEE ELEV.	SEE ELEV.	SEE ELEV.	SEE ELEV.	
157	ESCAPE ROOMS	B1	V5	V5	V5	V5	
157B	CONTROL	B1	P4	P4	P4	P4	
157C	ESCAPE 1A	B1	NOTE 'K'	NOTE 'K'	NOTE 'K'	NOTE 'K'	REF. GENERAL NOTE 'K'
157D	ESCAPE 1B	B1	NOTE 'K'	NOTE 'K'	NOTE 'K'	NOTE 'K'	REF. GENERAL NOTE 'K'
157E	ESCAPE 2C	B1	NOTE 'K'	NOTE 'K'	NOTE 'K'	NOTE 'K'	REF. GENERAL NOTE 'K'
157F	ESCAPE 2A	B1	NOTE 'K'	NOTE 'K'	NOTE 'K'	NOTE 'K'	REF. GENERAL NOTE 'K'
157G	ESCAPE 2B	B1	NOTE 'K'	NOTE 'K'	NOTE 'K'	NOTE 'K'	REF. GENERAL NOTE 'K'
157H	ESCAPE 3A	B1	NOTE 'K'	NOTE 'K'	NOTE 'K'	NOTE 'K'	REF. GENERAL NOTE 'K'
157J	ESCAPE 3B	B1	NOTE 'K'	NOTE 'K'	NOTE 'K'	NOTE 'K'	REF. GENERAL NOTE 'K'
157I	ESCAPE 3C	B1	NOTE 'K'	NOTE 'K'	NOTE 'K'	NOTE 'K'	REF. GENERAL NOTE 'K'
158	CORRIDOR	B1	SEE ELEV.	SEE ELEV.	SEE ELEV.	SEE ELEV.	
159	UNISEX	B3	SEE ELEV.	SEE ELEV.	SEE ELEV.	SEE ELEV.	
160	UNISEX	B3	SEE ELEV.	SEE ELEV.	SEE ELEV.	SEE ELEV.	
161	CONCESSIONS	B2	8/A90.10	-	8/A90.10	8/A90.10	
162	SCULLERY	B2	FP1	FP1	FP1	FP1	
163	CANDY STOR.	B1	P4	P4	P4	P4	
164	TECH.	B1	P4	P4	P4	P4	
165	EVENT ONE	B1	SEE ELEV.	SEE ELEV.	SEE ELEV.	SEE ELEV.	
166	EVENT TWO	B1	SEE ELEV.	SEE ELEV.	SEE ELEV.	SEE ELEV.	
167	EVENT THREE	B1	SEE ELEV.	SEE ELEV.	SEE ELEV.	SEE ELEV.	
168	LANE	B1	P4	P4	P4	P4	
169	VESTING	B1	P1	P1	P1	P1	
170	LASER TAG	B1	P1	P1	P1	P1	INSTALL MASONTE TO 8'-0" AFF AT PERIMETER OF ROOM
171	SERVICE	B1	-	-	-	-	TAPE AND BED ONLY
172	BOWLING	B1	SEE ELEV.	SEE ELEV.	SEE ELEV.	SEE ELEV.	
173	BAR	B2	-	SEE ELEV.	-	SEE ELEV.	
174	BOWLING STOR.	B1	P4	P4	P4	P4	
175	SCULLERY	B2	FP1	FP1	FP1	FP1	
176	WOMEN	B3	8/A81.00	8/A81.00	8/A81.00	8/A81.00	
177	VEST	B3	8/A81.00	8/A81.00	8/A81.00	8/A81.00	
178	WOMENS LAV.	B3	8/A81.00	8/A81.00	8/A81.00	8/A81.00	
179	LIFT	B1	P4	P4	P4	P4	
180	VEST.	B3	8/A81.00	8/A81.00	8/A81.00	8/A81.00	
181	MENS LAV.	B3	8/A81.00	8/A81.00	8/A81.00	8/A81.00	
182	JANITOR	B1	FP1	FP1	FP1	FP1	
183	MENS	B3	8/A81.00	8/A81.00	8/A81.00	8/A81.00	
184	SPRINKLER	B1	P4	P4	P4	P4	
185	REDEMPTION	B1	P4	P4	P4	P4	
186	REDEMPTION STOR.	B1	P4	P4	P4	P4	
200	EQUIPMENT	B1	P4	P4	P4	P4	
201	I.T.	B1	P4	P4	P4	P4	



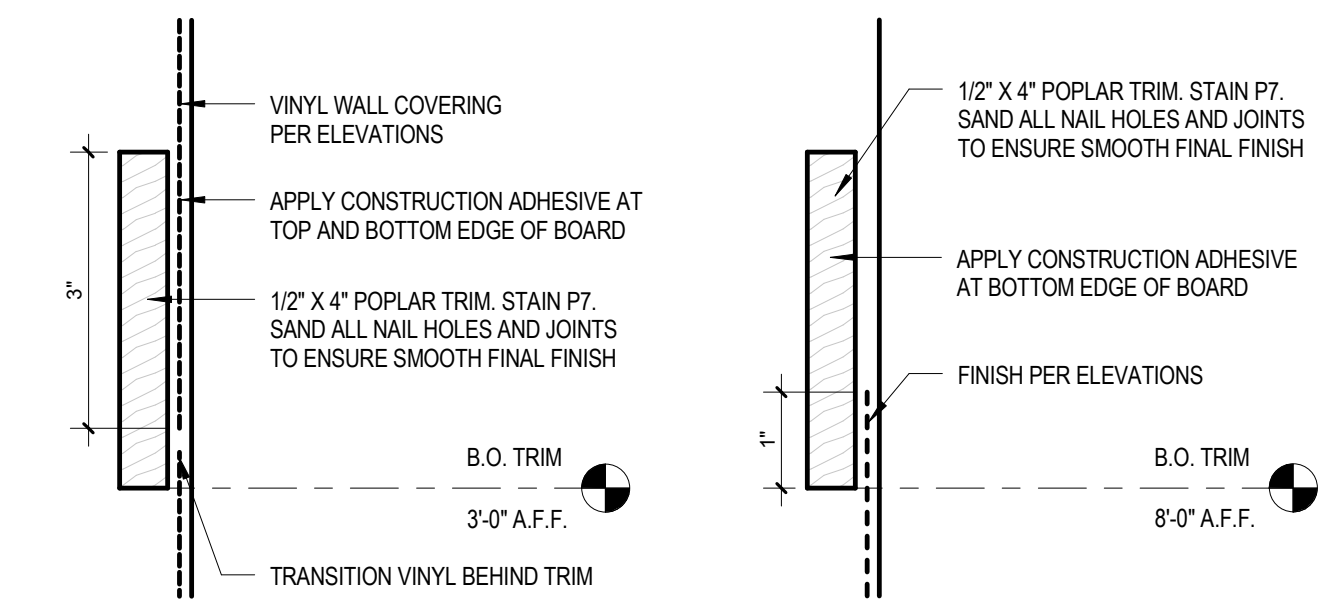
10 BOWLING TRANSITION
6" = 1'-0"



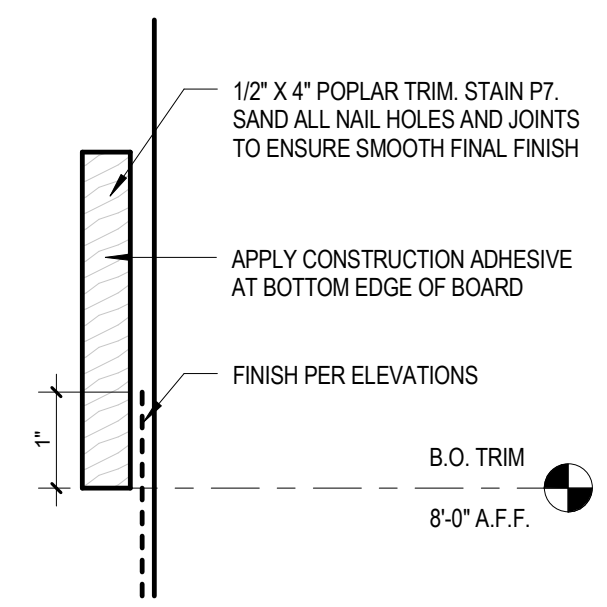
8 RESTROOM AND CONCESSION WALL PATTERN
1/2" = 1'-0"



9 ALUMINUM COVE BASE
6" = 1'-0"



7 WOOD TRIM
6" = 1'-0"



6 WOOD TRIM
6" = 1'-0"

MARK	DESCRIPTION	MANUFACTURER	SERIES	COLOR	FINISH	SIZE	COMMENTS
BASE							
B1	RUBBER BASE	ARMSTRONG	COVE BASE	BLACK 060	-	4"	-
B2	QUARRY TILE	DAL TILE	SURETREAD	RED QUARRY 0081	-	6"	INSTALL PER 4/A90.10
B3	ALUMINUM COVE BASE	SCHLUTER	DILEX-AHK	SATIN ANODIZED	-	3/8"	INSTALL PER 9/A90.10
CARPET							
CP1	CARPET SQUARE	J+J FLOORING KINETIX	BOOM 1828	OLD SCHOOL 1931	-	24" X 24"	QUARTER TURN, CARPET AND GLUE SUPPLIED BY OWNER, INSTALL BY G.C.
CP2	CARPET SQUARE	ASTRO MILLS	L6007	L001	-	24" X 24"	GLUE AND INSTALL SEAM FILLER AT ALL EDGES
CP3	WALK OFF CARPET SQUARE	SHAW INDUSTRIES	WELCOME II	CHARCOAL	-	24" X 24"	-
CP4	CARPET SQUARE	ESCAPE GAME VENDOR	-	-	-	24" X 24"	SUPPLIED BY OWNER, INSTALL BY G.C.
CEILING							
C1	ACOUSTICAL CEILING TILE	ARMSTRONG	FINE FISSURED	TECH BLACK	1729BL	24" X 24"	SQUARE EDGE, 15/16" BLACK GRID
C2	ACOUSTICAL CEILING TILE	ARMSTRONG	FINE FISSURED	TECH BLACK	1728BL	24" X 48"	SQUARE EDGE, 15/16" BLACK GRID
C3	ACOUSTICAL CEILING TILE	ARMSTRONG	FINE FISSURED	WHITE	1729	24" X 48"	SQUARE EDGE, 15/16" WHITE GRID
C4	ACOUSTICAL CEILING TILE	ARMSTRONG	FINE FISSURED	WHITE	1728	24" X 24"	SQUARE EDGE, 15/16" WHITE GRID
C5	VINYL FACED CEILING TILE	ARMSTRONG	ENVIROWALL	WHITE	VINYL	24" X 24"	15/16" WHITE GRID
C6	VINYL FACED CEILING TILE	ARMSTRONG	ENVIROWALL	WHITE	VINYL	24" X 48"	15/16" WHITE GRID
CORNER GUARD							
CG1	WALL CORNER GUARD	KOROSEAL	GS15	STAINLESS STEEL	-	1 1/2" X 1 1/2"	FULLY ADHERE WITH SILICONE ADHESIVE
CG2	TILE CORNER GUARD	SCHLUTER	JOLLY	SATIN ANODIZED	-	3/8"	INSTALL AT ALL EXPOSED TILE EDGES
FIBERGLASS PANEL							
FP1	WASHABLE PANEL	MARLITE	STANDARD	WHITE	PEBBLE	-	-
FP2	WASHABLE PANEL	MARLITE	STANDARD	BLACK	PEBBLE	-	-
GLAZING							
GL1	EXTERIOR GLAZING	PPG OR SIM.	-	CLEAR	-	1"	INSULATED
GL2	INTERIOR GLAZING	PPG OR SIM.	-	CLEAR	-	1/4"	TEMPERED
LAMINATE (BY VENDOR, U.N.O.)							
L1	PLASTIC LAMINATE	WILSONART	VDL	EBONY CHAR 8225K-16, CASUAL, RUSTIC WITH AEON	-	-	DOORS BY CONTRACTOR
L2	STANDARD	WILSONART	STANDARD	OXIDE 1787-60, MATTE WITH AEON	-	-	CONCESSION BACK COUNTER, BOWLING, ROPES-LASER COUNTERS
L3	PLASTIC LAMINATE	WILSONART	HD DEEPSHAR	SLATE 1818K-35, MIRAGE WITH AEON	-	-	BAR WALL
L4	PLASTIC LAMINATE	WILSONART	STANDARD	BURNISHED CHESTNUT 4796-60, MATTE WITH AEON	-	-	MILLWORK CABINETS
L5	PLASTIC LAMINATE	WILSONART	STANDARD	EVENING TIGRESS 4674-60, MATTE WITH AEON	-	-	TOILET PARTITIONS BY CONTRACTOR
L6	PLASTIC LAMINATE	WILSONART	STANDARD	PLATINUM D315-60-60, MATTE WITH AEON	-	-	TRAFFIC DOORS BY CONTRACTOR
MASONRY							
M1	BRICK VENEER	ACME	DTP102	MUSHROOM BROWN	VELOUR	MODULAR	GRAY MORTAR
PAINT AND SEALER							
P1	INTERIOR PAINT	SHERWIN WILLIAMS	SW628	TRICORN BLACK	SATIN	-	-
P2	INTERIOR PAINT	SHERWIN WILLIAMS	SW7014	EDGE WHITE	SATIN	-	-
P3	INTERIOR PAINT	SHERWIN WILLIAMS	SW6711	PARAKEET	SATIN	-	-
P4	INTERIOR PAINT	SHERWIN WILLIAMS	SW7017	DORIAN GRAY	SATIN	-	-
P5	INTERIOR PAINT	SHERWIN WILLIAMS	SW628	TRICORN BLACK	DRY FALL	-	-
P6	CONCRETE SEALER	SURECRETE	DURA-KOTE	CLEAR	-	-	-
P7	INTERIOR OIL STAIN	SHERWIN WILLIAMS	SW3135-P	NEW EBONY	-	-	-
P21	EXTERIOR PAINT	SHERWIN WILLIAMS	SW7019	GALINLET GRAY	SATIN	-	MEDIUM TEXTURE
P22	EXTERIOR PAINT	SHERWIN WILLIAMS	SW6711	PARAKEET	SATIN	-	MEDIUM TEXTURE
P23	EXTERIOR PAINT	SHERWIN WILLIAMS	SW6154	NACRE	SATIN	-	MEDIUM TEXTURE
P24	EXTERIOR PAINT	SHERWIN WILLIAMS	SW7055	ENDURING BRONZE	SATIN	-	MEDIUM TEXTURE
P25	EXTERIOR PAINT	SHERWIN WILLIAMS	SW7004	SNOWBOUND	SATIN	-	MEDIUM TEXTURE
P26	EXTERIOR PAINT	SHERWIN WILLIAMS	SW6157	FAVORITE TAN	SATIN	-	MEDIUM TEXTURE
POWDERCOAT							
PC1	POWDERCOAT	CARDINAL	METALLICS	BLACK	-	-	-
RESILIENT TILE							
RT1	LUXURY VINYL TILE	TANDUS CENTIVA VENUE WOOD	VP9633-V	URBAN OAK 3603	-	6" X 36"	TILE AND GLUE SUPPLIED BY OWNER AND INSTALLED BY CONTRACTOR
RT2	LUXURY VINYL TILE	TANDUS CENTIVA VENUE WOOD	VP3522-V	CREME 3522	-	6" X 36"	TILE AND GLUE SUPPLIED BY OWNER AND INSTALLED BY CONTRACTOR
RT3	VINYL COMPOSITE TILE	ARMSTRONG	EXCELON	BLACK	-	12" X 12"	-
RT4	VINYL COMPOSITE TILE	TANDUS CENTIVA CORAL REEF VCR	CR0053-V	SANDCASTLE 0053	-	36" X 36"	TILE AND GLUE SUPPLIED BY OWNER AND INSTALLED BY CONTRACTOR
RT5	VINYL COMPOSITE TILE	TANDUS CENTIVA INFINES	CA3272-C	ABALONE AQUAMARINE 327C	-	6" X 36"	TILE AND GLUE SUPPLIED BY OWNER AND INSTALLED BY CONTRACTOR
RT6	VINYL COMPOSITE TILE	TANDUS CENTIVA INFINES	CA 325C-1	ABALONE JADE 325C	-	6" X 36"	TILE AND GLUE SUPPLIED BY OWNER AND INSTALLED BY CONTRACTOR
RT7	VINYL COMPOSITE TILE	TANDUS CENTIVA INFINES	CA3010-C	CLEAR 301C	-	6" X 36"	TILE AND GLUE SUPPLIED BY OWNER AND INSTALLED BY CONTRACTOR
SOLID SURFACE (BY VENDOR)							
SS1	SOLID SURFACE	SAMSUNG	TEMPEST	GLIMMER FG144	-	-	CONCESSION, BOWLING, ROPES-LASER, RESTROOM COUNTERS
SS2	SOLID SURFACE	AVONITE	STUDIO	BLUE PEARL K3-8000	-	-	BAR
TILE - FLOOR							
TF1	PORCELAIN TEXTURED	DAL TILE	EVER	EARTH EV05	UNPOLISHED	12" X 24"	CUSTOM BUILDING PRODUCTS #185 NEW TALPE SANDED GROUT
TF2	QUARRY TILE	DAL TILE	SURETREAD	RED QUARRY 0081	TEXTURED	6" X 6"	CUSTOM BUILDING PRODUCTS #370 DOVE GRAY EPOXY GROUT
TILE - WALL							
TW1	PORCELAIN	DAL TILE	TIMBER GLEN	DUNE P20	UNPOLISHED	6" X 24"	CUSTOM BUILDING PRODUCTS #185 NEW TALPE SANDED GROUT
TW2	PORCELAIN	DAL TILE	TIMBER GLEN	COOGA P623	UNPOLISHED	6" X 24"	CUSTOM BUILDING PRODUCTS #185 NEW TALPE SANDED GROUT
TW3	PORCELAIN	DAL TILE	ACACIA VALLEY	ASH AV05	UNPOLISHED	6" X 36"	CUSTOM BUILDING PRODUCTS #185 NEW TALPE SANDED GROUT
VINYL							
V1	VINYL WALL COVERING	MDC ENCORE	ROXY	INDUSTRY 9001	-	-	INSTALL WITH HEAVY DUTY CLEAR STRIPPABLE ADHESIVE
V2	VINYL WALL COVERING	MDC ESQUIRE	HIGH WIRE	PARROT MH19016	-	-	INSTALL WITH HEAVY DUTY CLEAR STRIPPABLE ADHESIVE
V3	VINYL WALL COVERING	MDC ESQUIRE	HIGH WIRE	SANDSTONE MH5011	-	-	INSTALL WITH HEAVY DUTY CLEAR STRIPPABLE ADHESIVE
V4	VINYL WALL COVERING	MDC ENCORE	ROXY	SMOKEY QUARTZ PRX0007	-	-	INSTALL WITH HEAVY DUTY CLEAR STRIPPABLE ADHESIVE
V5	VINYL WALL COVERING	MDC ESQUIRE	EPIC	STARSHIP ME800114152	-	-	INSTALL WITH HEAVY DUTY CLEAR STRIPPABLE ADHESIVE
WALL COVERING							
WC1	ACOUSTICAL WALL COVERING	MDC	CANYON	ONYX RCN1815	24 OZ		