



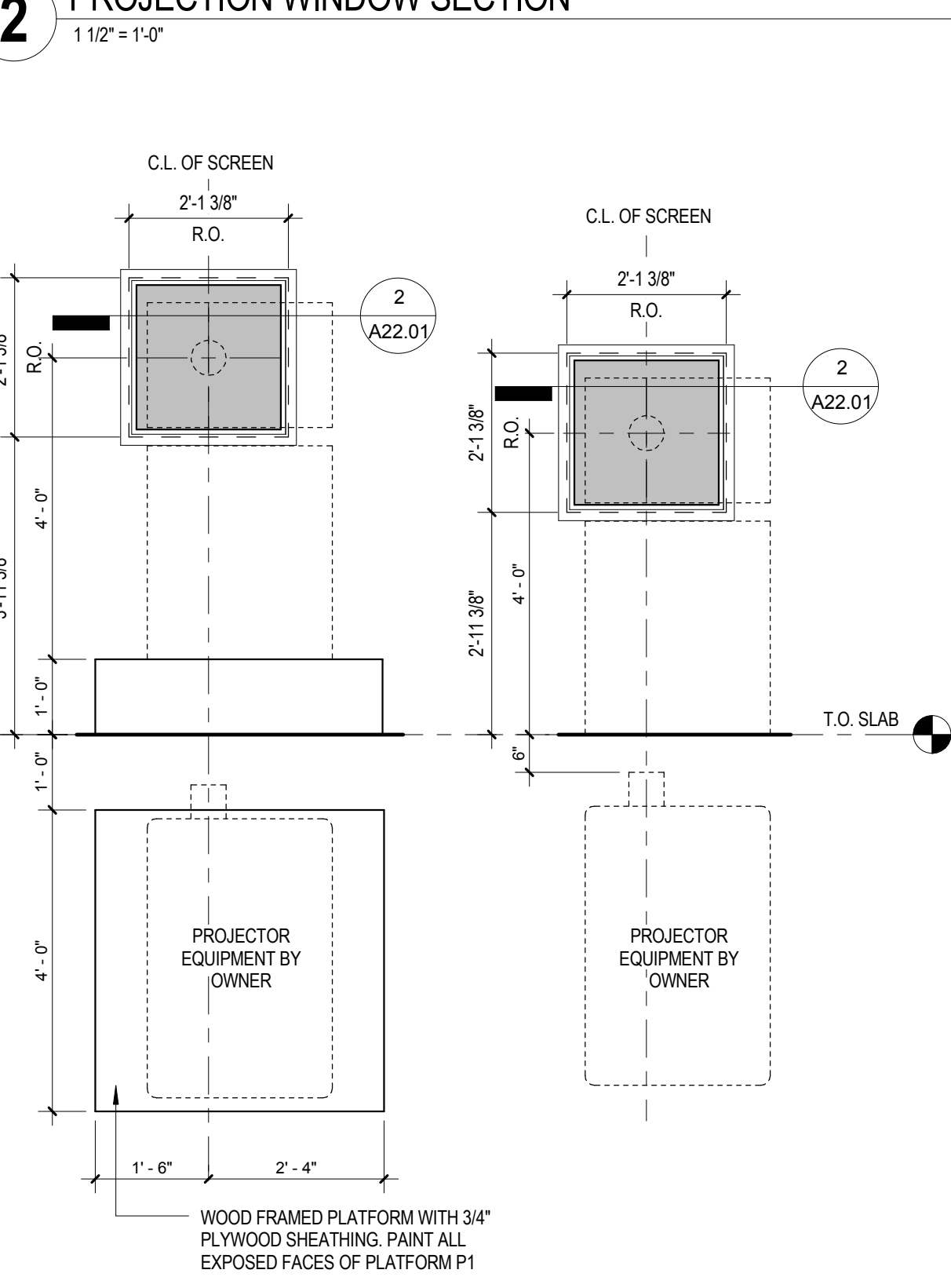
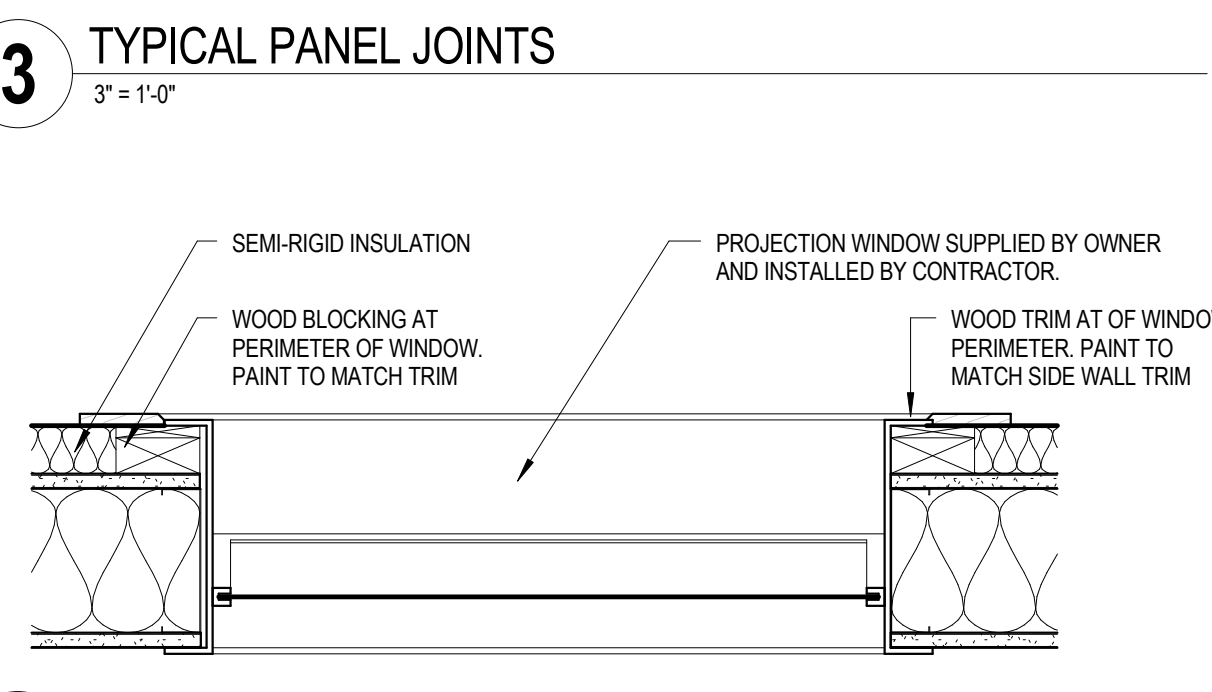
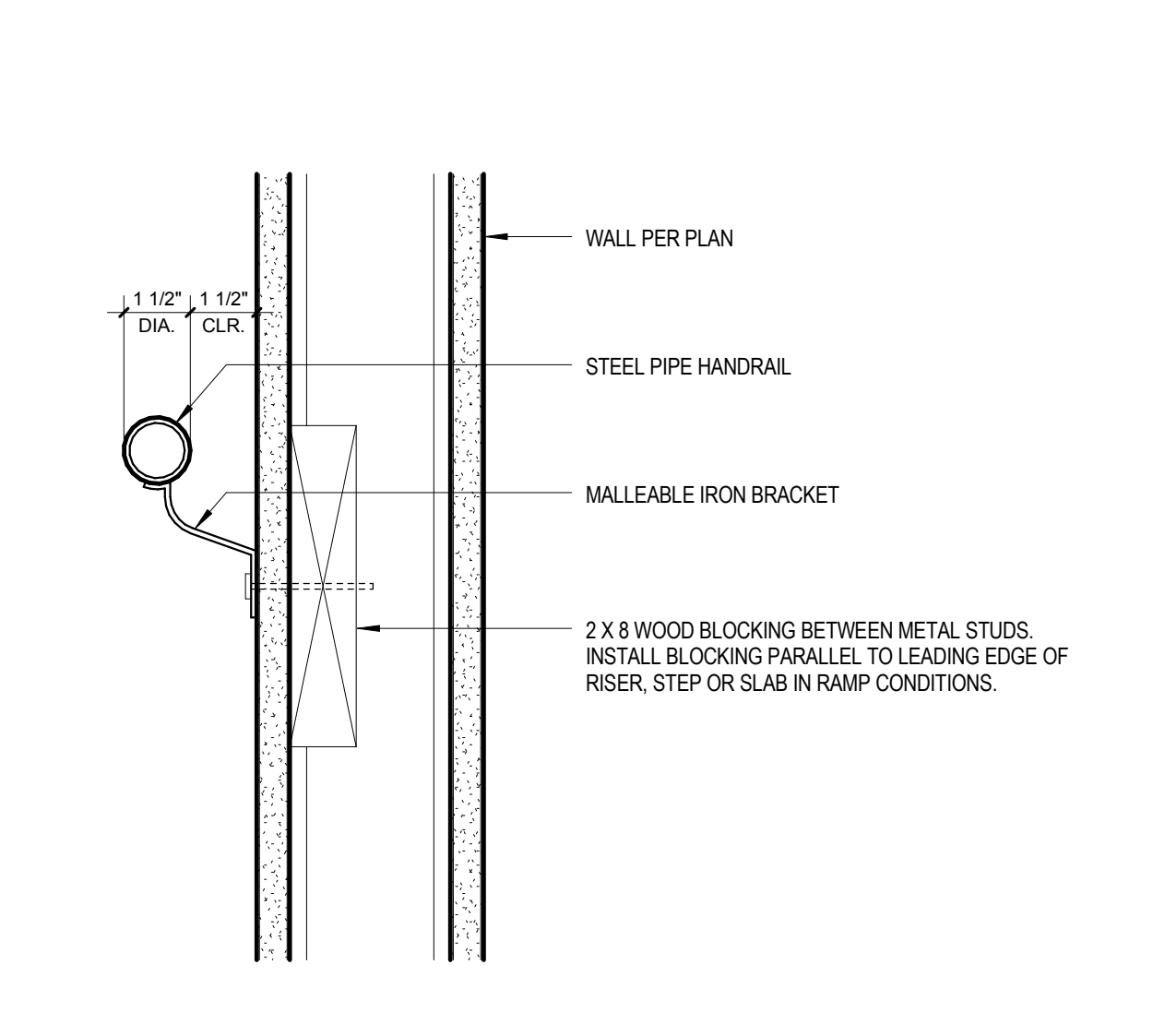
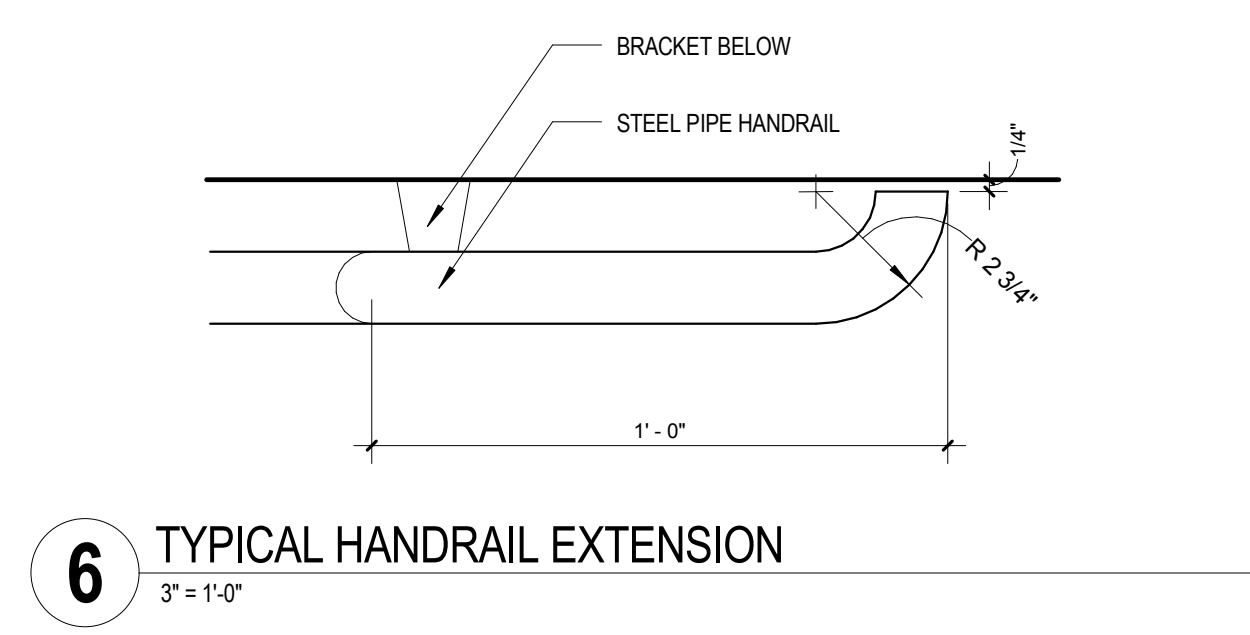
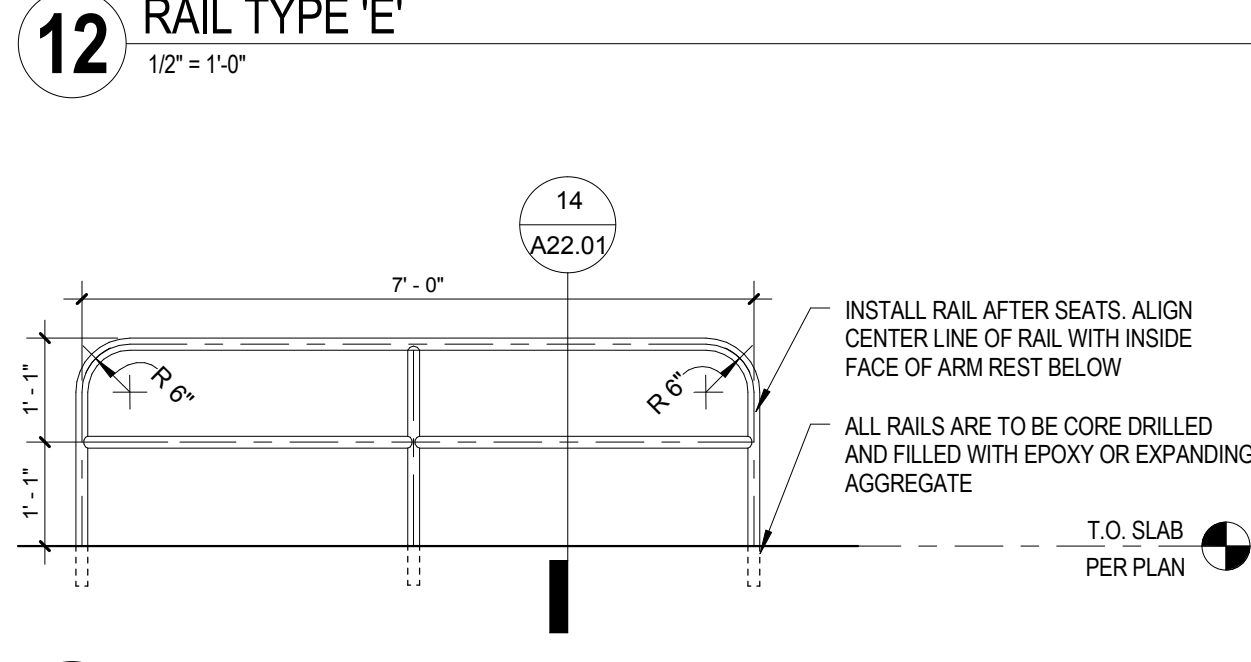
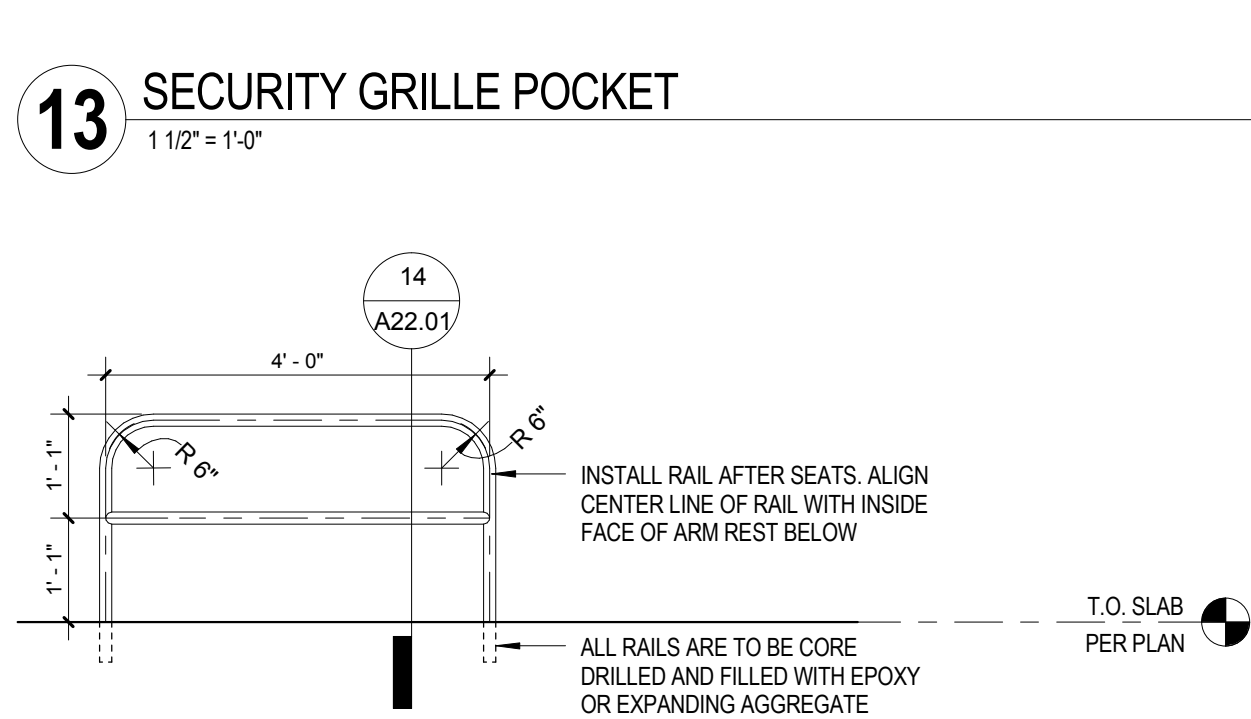
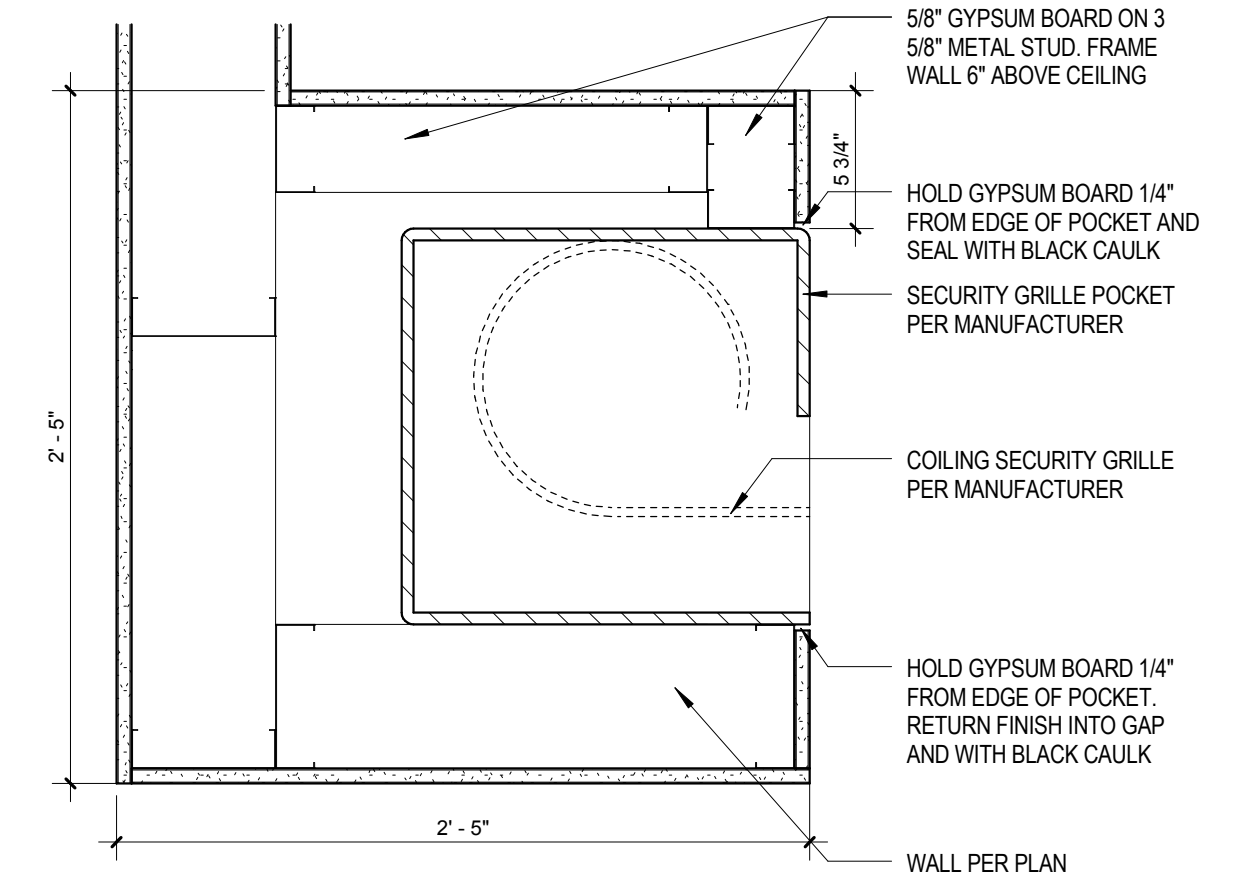
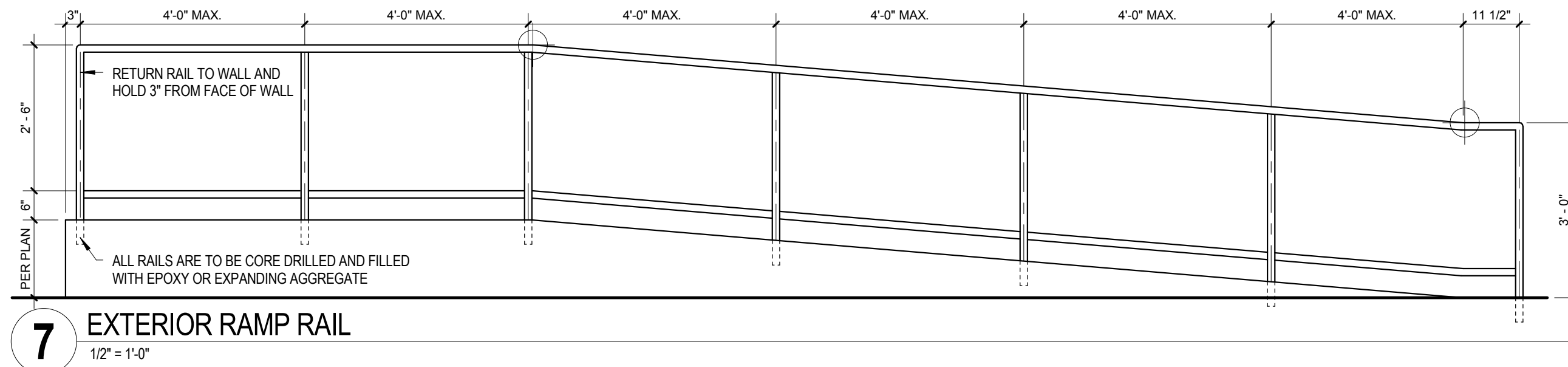
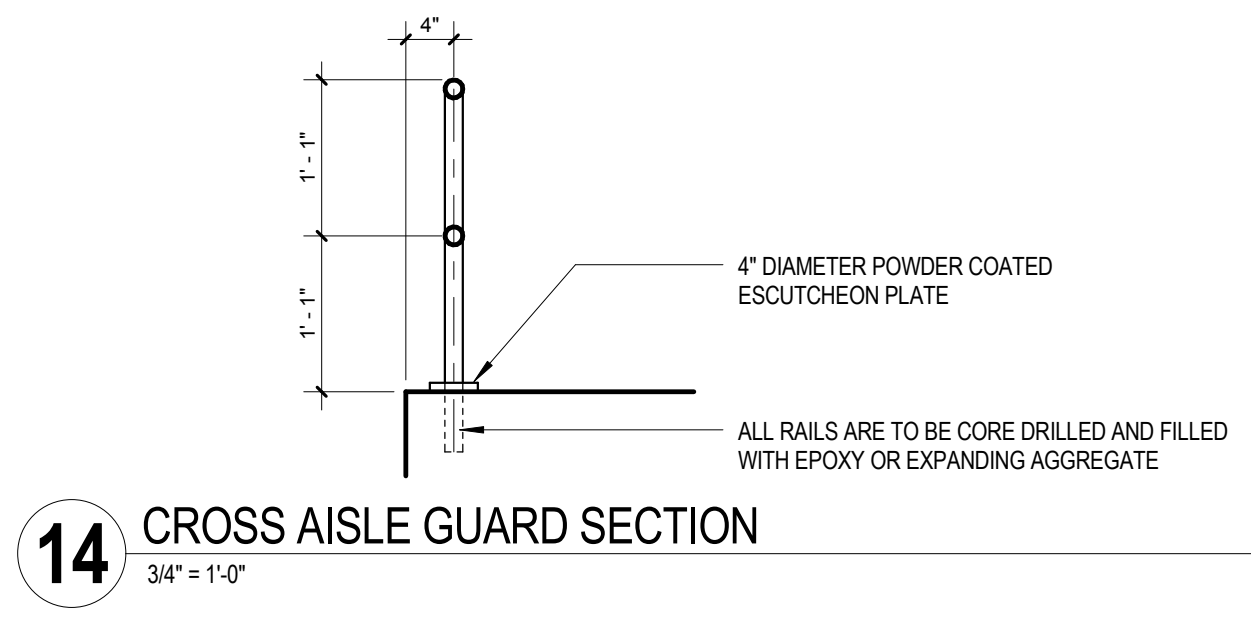
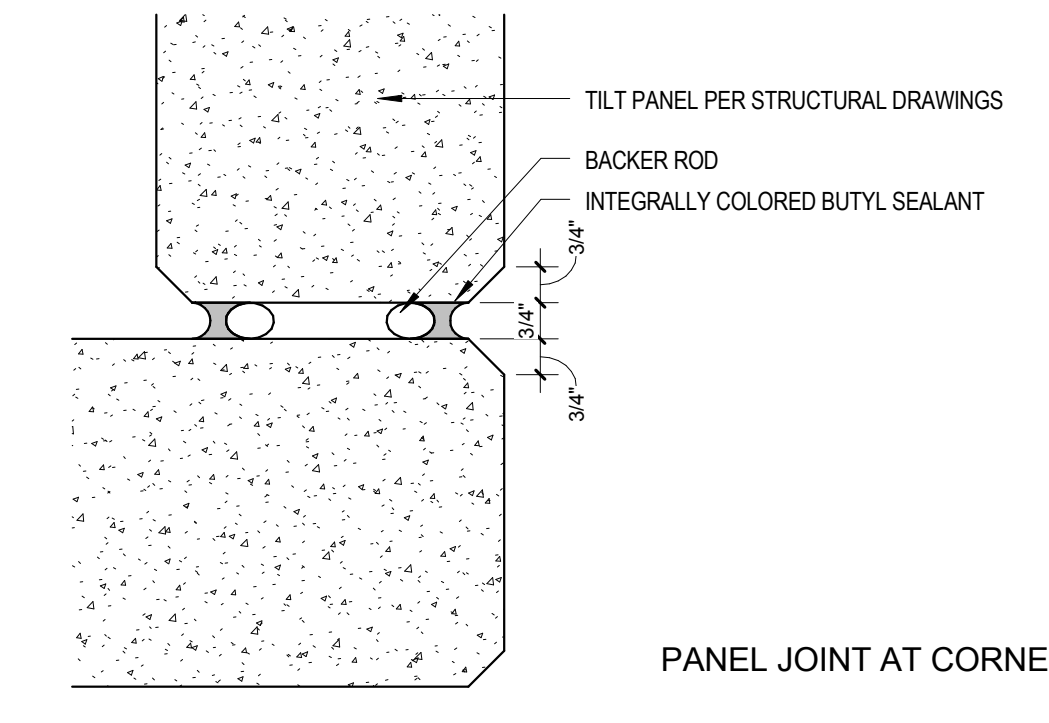
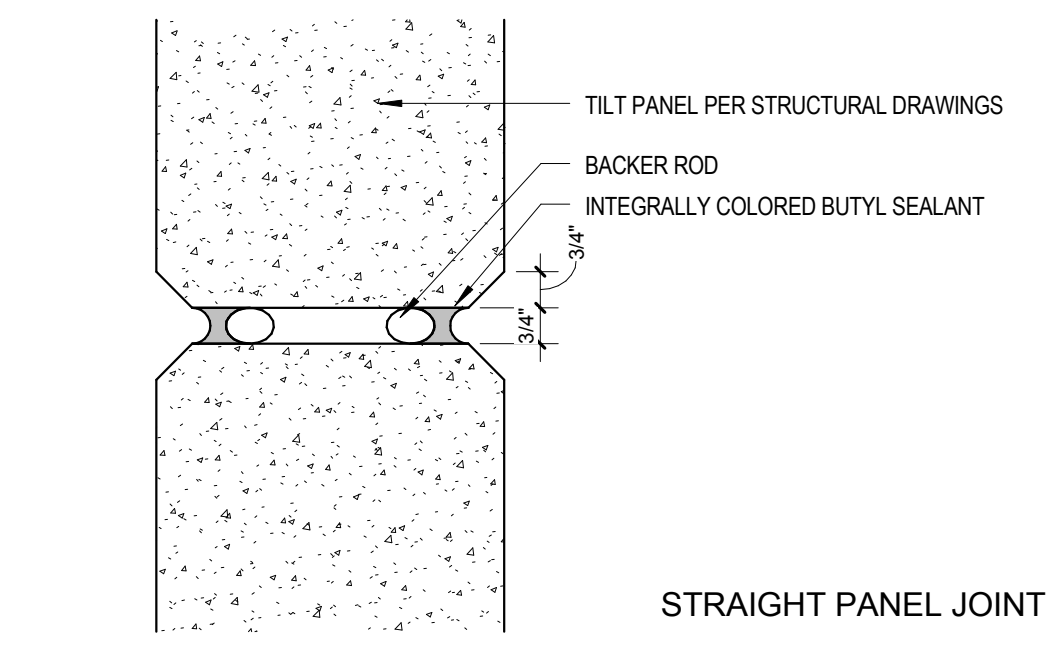
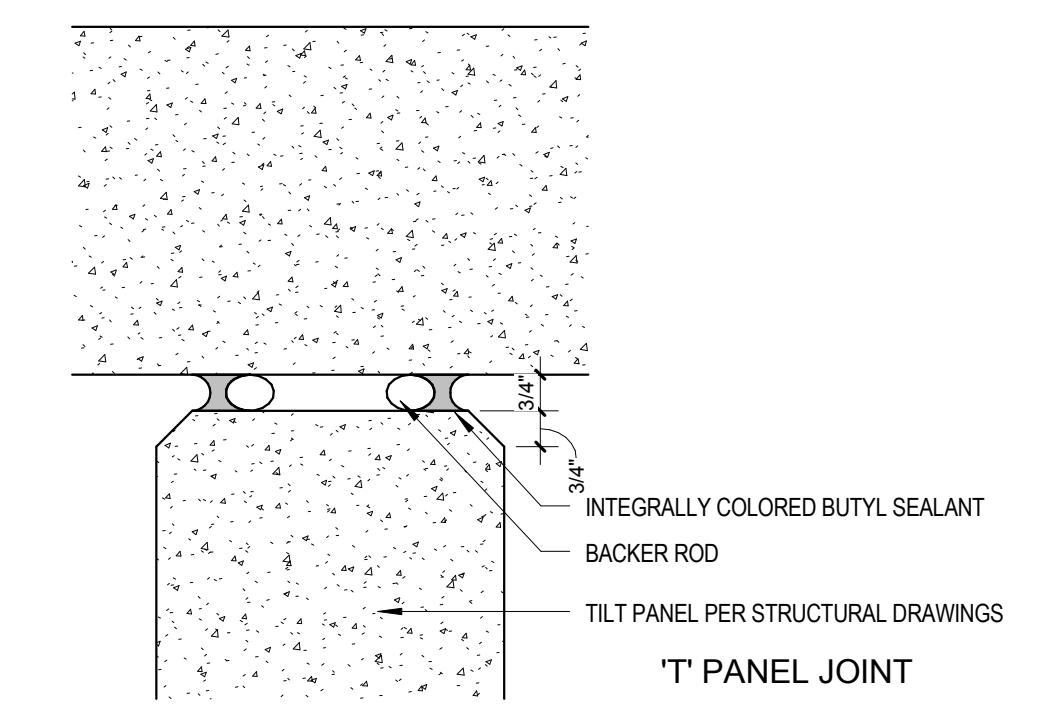
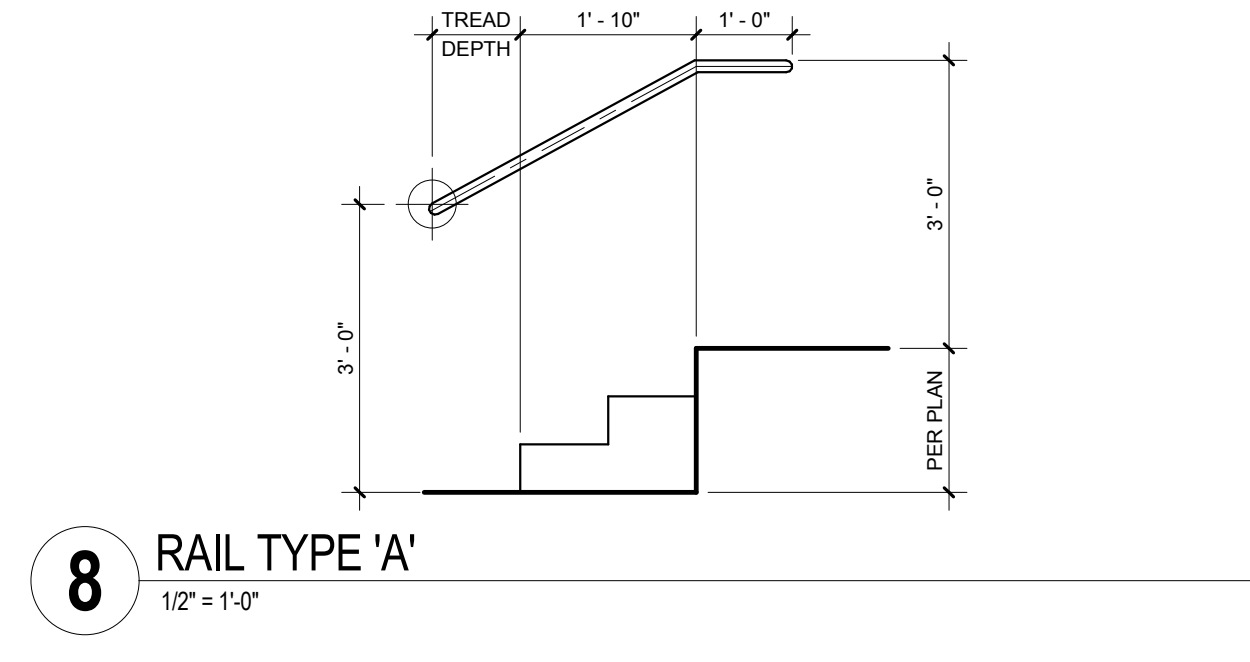
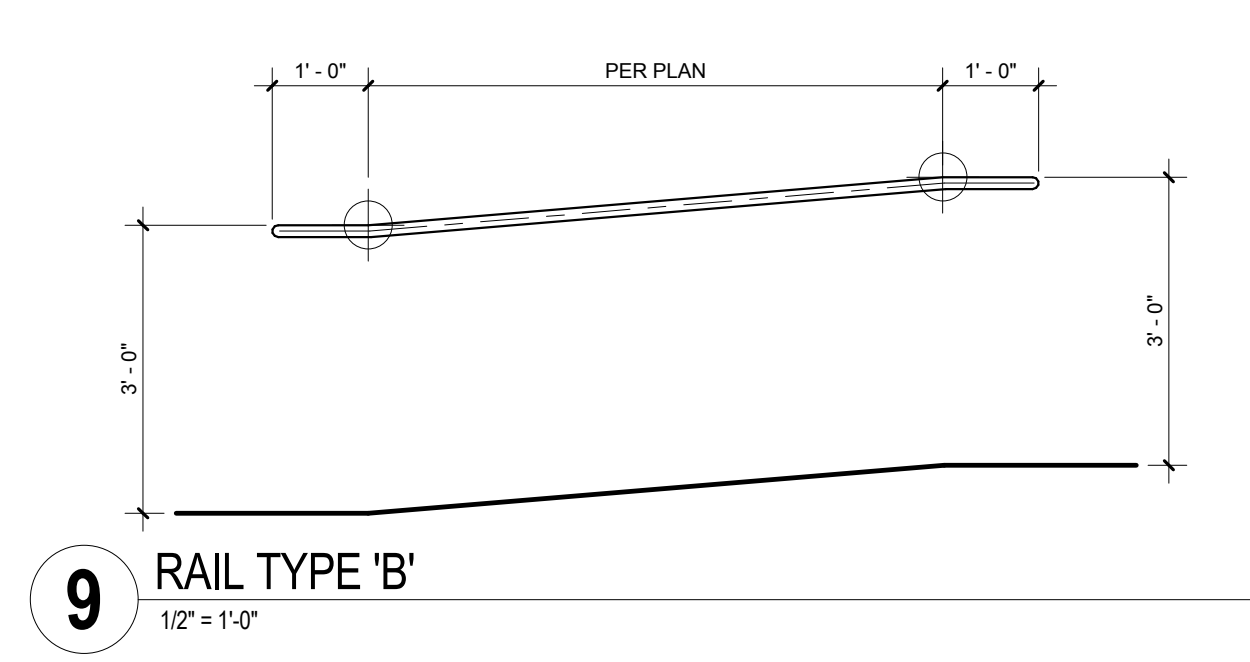
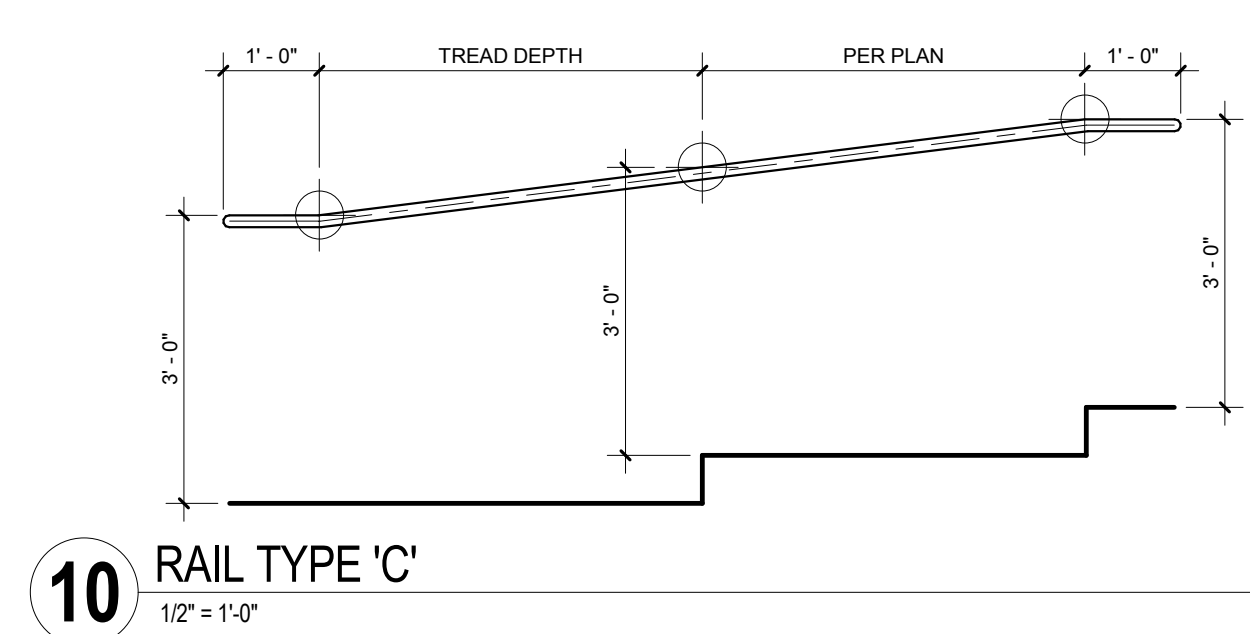
ARCHITECT  
5G Studio Collaborative, LLC.  
800 Jackson St., Suite 500  
Dallas, TX 75202  
Ian Means 214-646-1508

STRUCTURAL ENGINEER  
Hunt & Joiner, Inc.  
1120 Capitol of Texas Highway Suite 100  
Austin, TX 78746  
Colin Edwards 512-358-8788

MEP ENGINEER  
Envirodesign  
900 Ranch Road 620 South, Suite C101-301  
Austin, TX 78734  
Sam Patton 512-693-9015

CIVIL ENGINEER  
Maverick Engineering  
1909 West Wall Street, Suite K  
Midland, TX 79701  
Andrew Melton 432-282-0999

OWNER  
Cinergy Cinemas & Entertainment  
5720 LBJ Freeway, Suite 625  
Dallas, TX 75240  
Jeffrey Benson 469-804-7475



- 4 RAILING GENERAL NOTES**
- A POWDER COAT ALL RAILS IN AUDITORIUM.
  - B PAINT ALL RAILS IN STAIRS AND CORRIDORS 'P21'.
  - C PAINT ALL RAILS ON EXTERIOR OF BUILDING 'P21'.
  - D VERIFY ALL DIMENSIONS IN FIELD PRIOR TO FABRICATION.
  - E INSTALL MALLEABLE IRON BRACKETS WITH SCREW FASTENERS AT ALL HANDRAILS.
  - F INSTALL BRACKETS EQUALLY ALONG LENGTH OF RAIL. DISTANCE BETWEEN BRACKETS SHALL NOT EXCEED 5'-0\".
  - G PROVIDE 1 1/2\" CLEARANCE BETWEEN THE OUTER FACE OF ALL HANDRAILS AND THE ADJACENT WALL.
  - H PROVIDE BLOCKING FOR HANDRAILS PER 5 / A22.01
  - I PROVIDE HANDRAIL EXTENSIONS WHERE SHOWN PER 6 / A22.01

**AUDITORIUM 01 EPIC**  
CONTRACTOR IS TO CONFIRM SIZE OF THE ROUGH OPENING FOR THE PROJECTION WINDOW BASED ON THE SHOP DRAWING FROM THE OWNER. DO NOT FRAME OPENING WITHOUT APPROVED SHOP DRAWING.

**AUDITORIUM 02-10**  
CONTRACTOR IS TO CONFIRM SIZE OF THE ROUGH OPENING FOR THE PROJECTION WINDOW BASED ON THE SHOP DRAWING FROM THE OWNER. DO NOT FRAME OPENING WITHOUT APPROVED SHOP DRAWING.

REV.	DATE	ISSUE TITLE
	05.12.17	ISSUE FOR PERMIT
	05.24.17	ISSUE FOR BID



CINERGY AMARILLO

PLAN DETAILS

ARA007 PROJECT NUMBER **A22.01** SHEET NUMBER