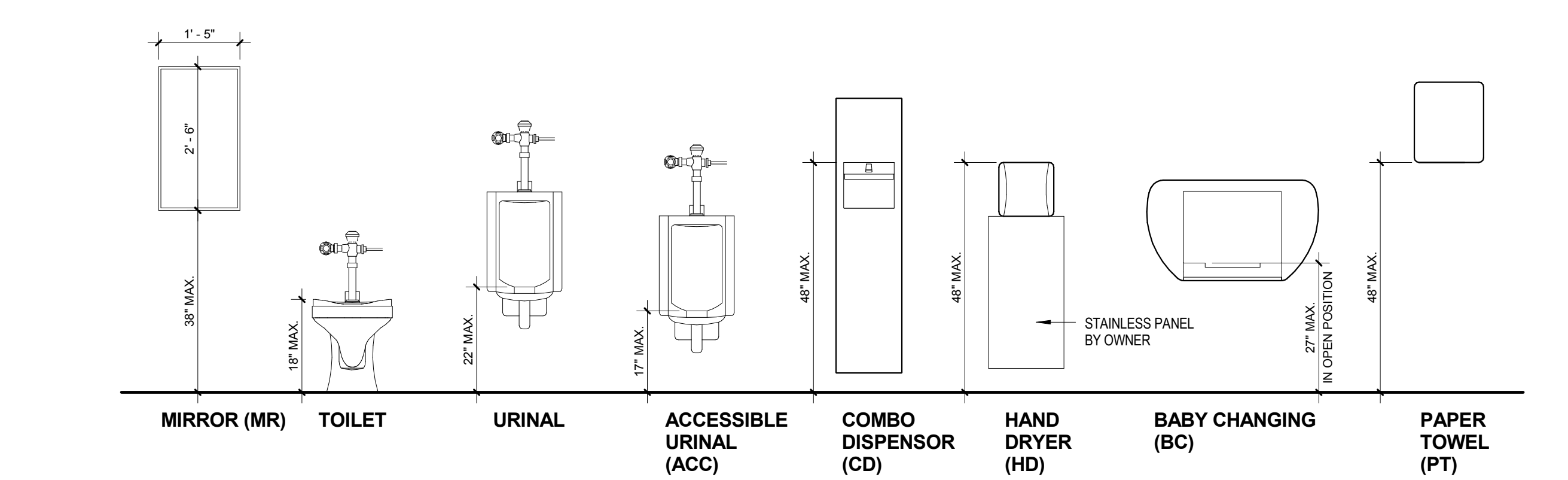
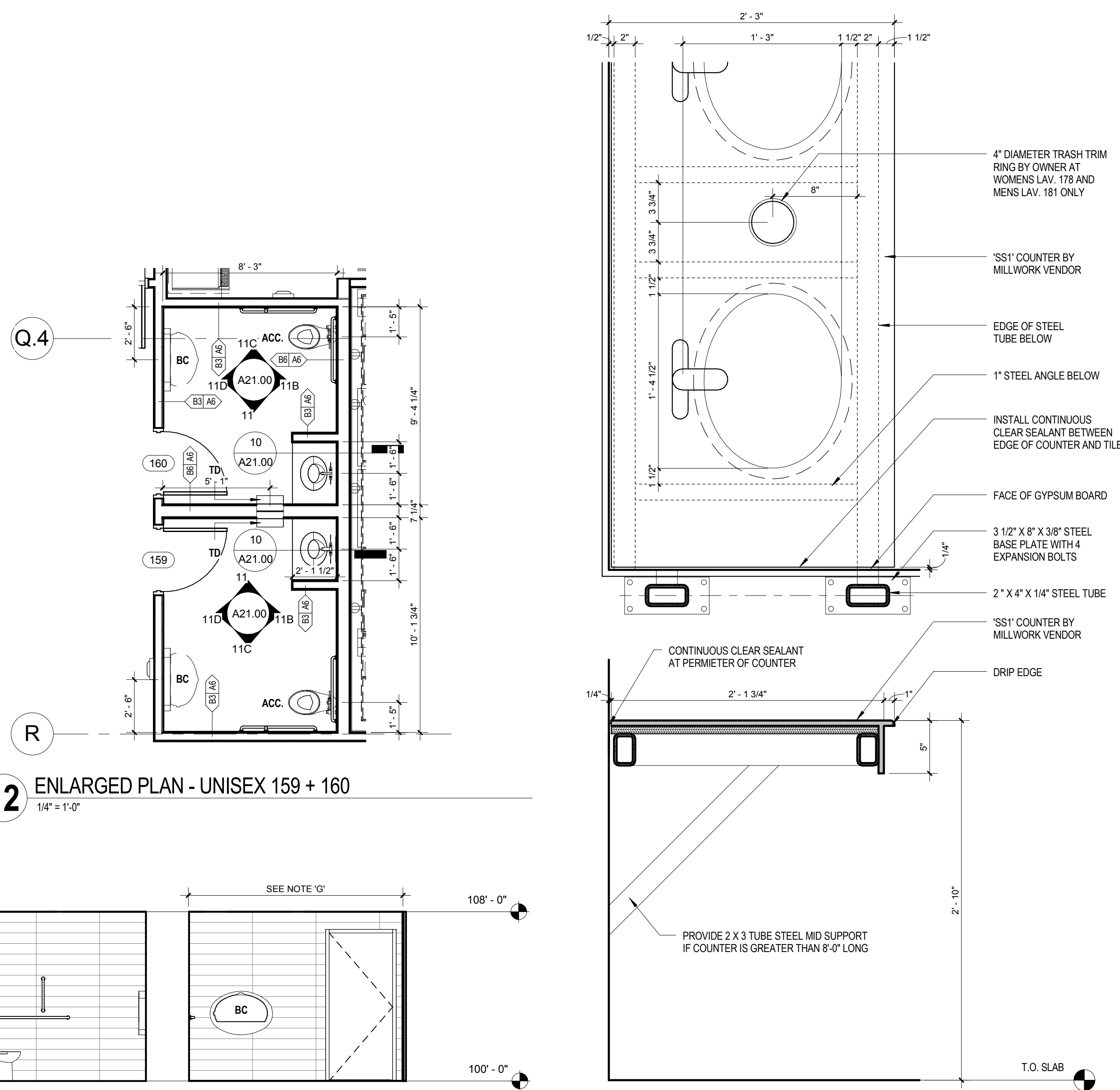
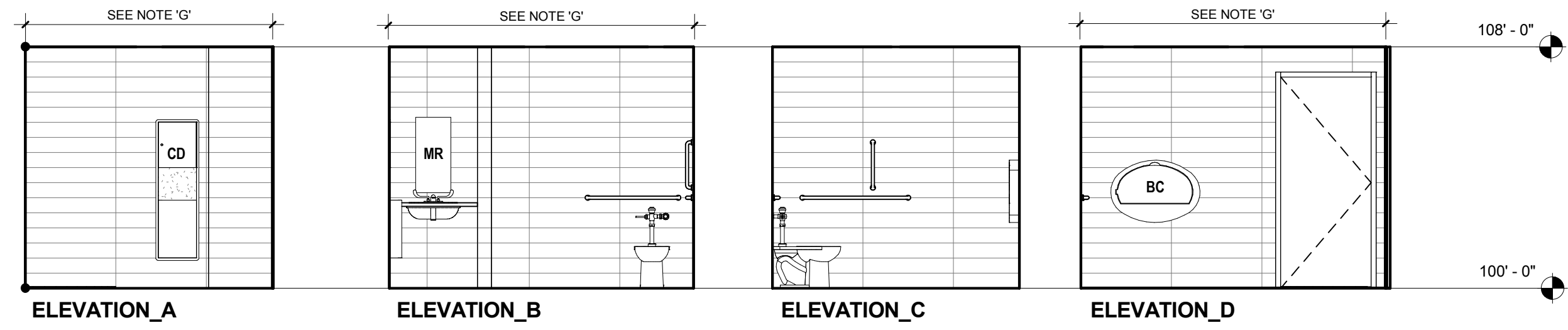


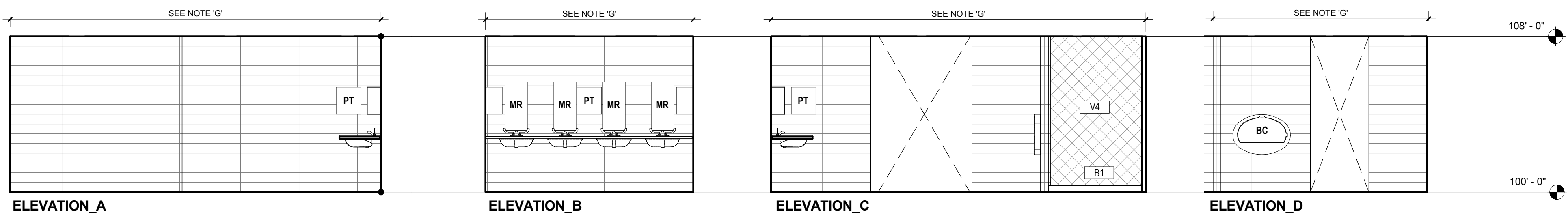
ITEM	SUPPLY INSTALL BY G.C.			
	OWNER	CONTRACTOR	OWNER	CONTRACTOR
BABY CHANGING STATION	X	X	X	X
COMBO PAPER TOWEL - TRASH	X	X	X	X
ELECTRIC HAND DRYER - TRASH	X	X	X	X
HORIZONTAL AND VERTICAL GRAB BARS	X	X	X	X
PAPER TOWEL DISPENSOR/ GRAB BARS	X	X	X	X
SANITARY NAPKIN DISPOSAL	X	X	X	X
SEAT COVER DISPENSORAL	X	X	X	X
STAINLESS STEEL DRYER GUARDS	X	X	X	X
TOILET AND URINAL PARTITIONS/S	X	X	X	X
TOILET PAPER DISPENSOR/S	X	X	X	X
TOILET PAPER DISPENSOR	X	X	X	X



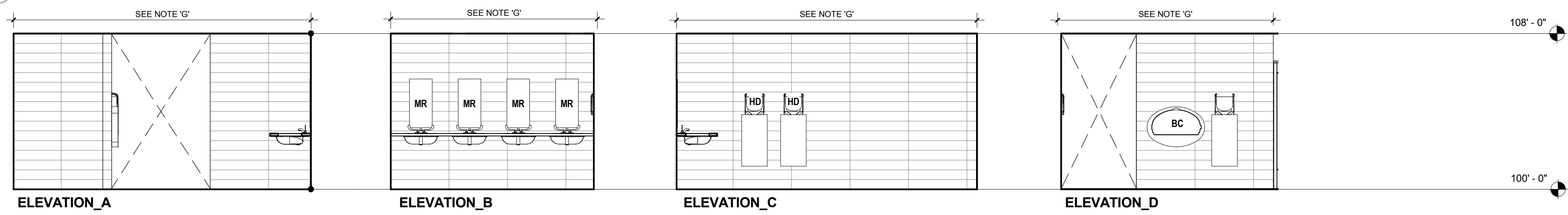
13 ACCESSORY MATRIX
1/2" = 1'-0"



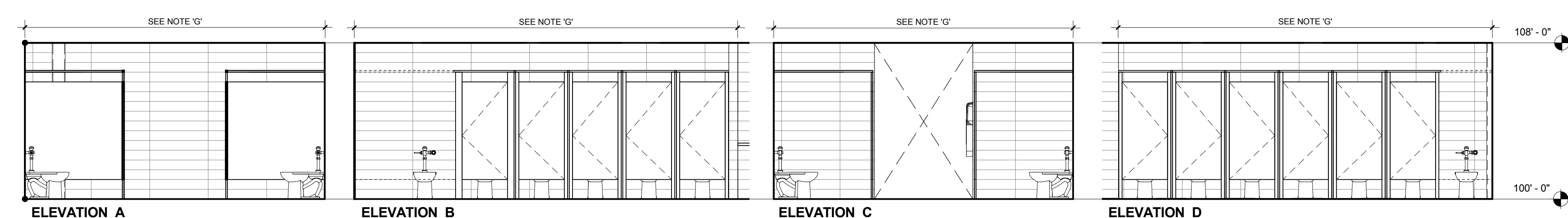
11 UNISEX 159 + 160 ELEVATIONS
1/4" = 1'-0"



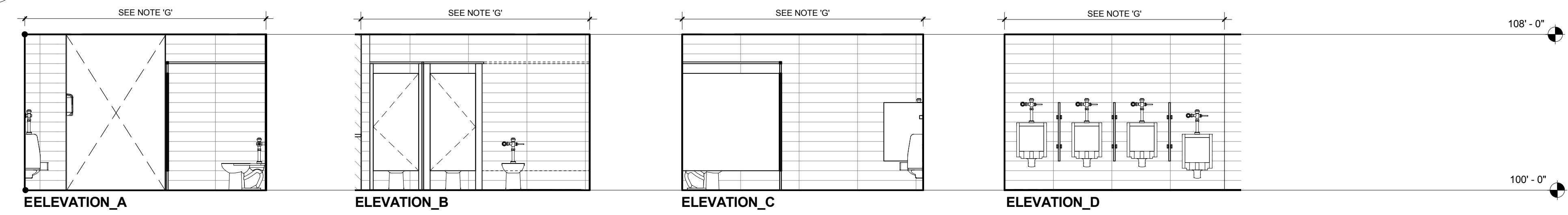
9 LAVATORY 178 + 181 ELEVATIONS
1/4" = 1'-0"



8 LAVATORY 153 + 155 ELEVATIONS
1/4" = 1'-0"

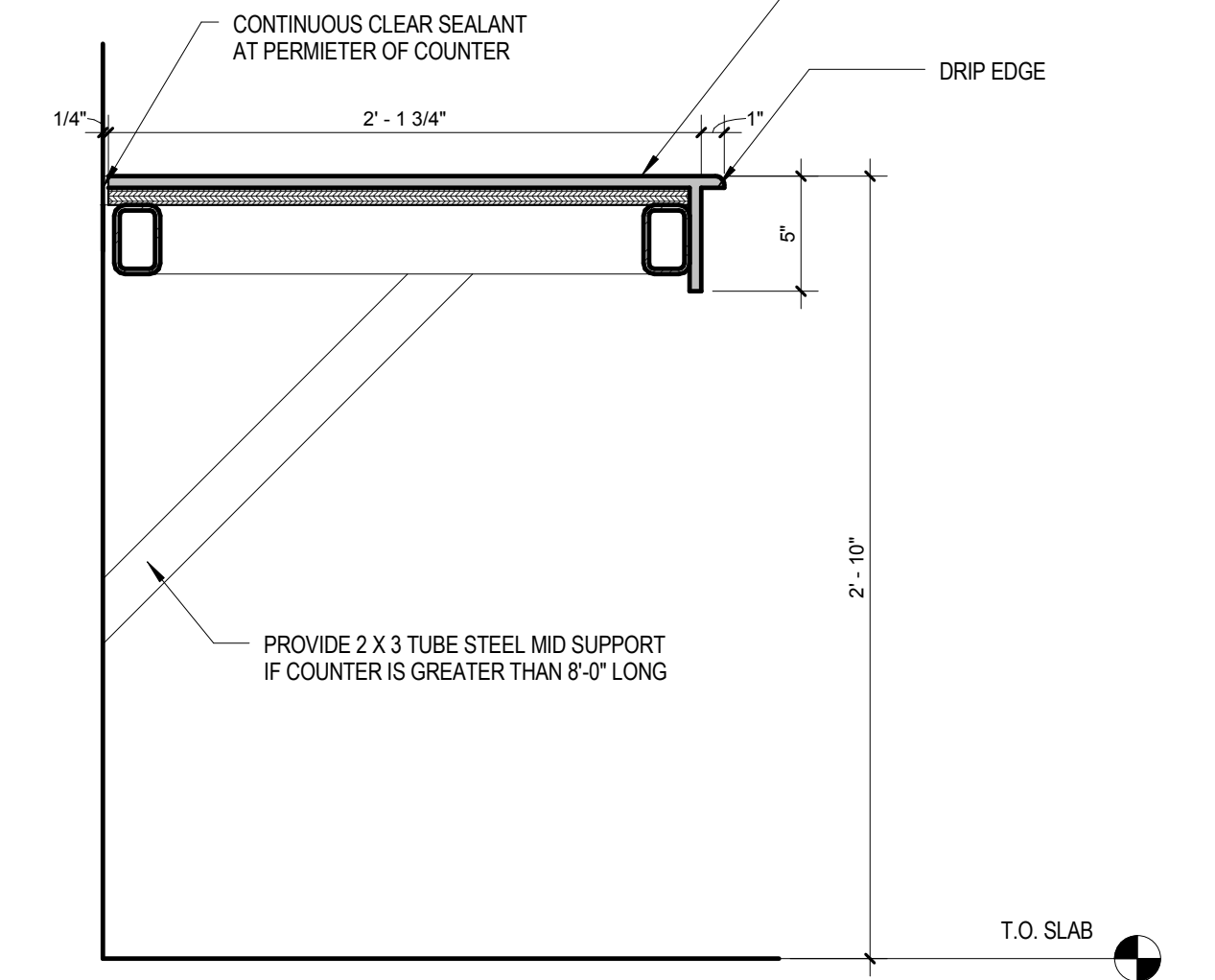


7 TYPICAL WOMENS ELEVATIONS
1/4" = 1'-0"

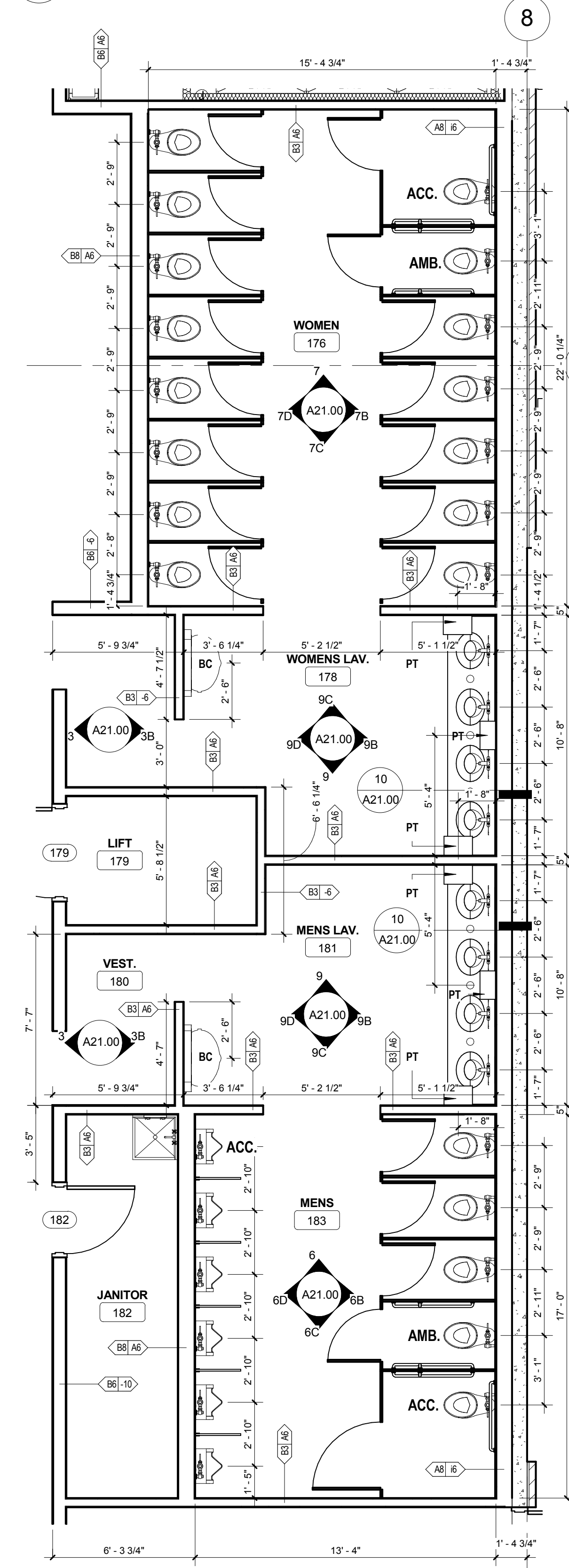


6 TYPICAL MENS ELEVATIONS
1/4" = 1'-0"

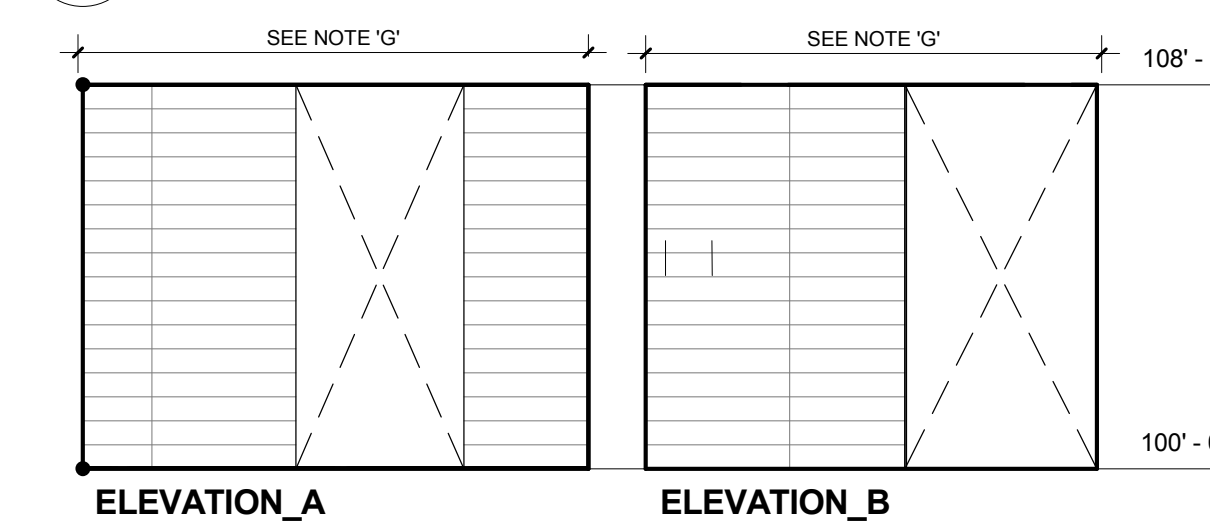
10 LAVATORY DETAIL
1 1/2" = 1'-0"



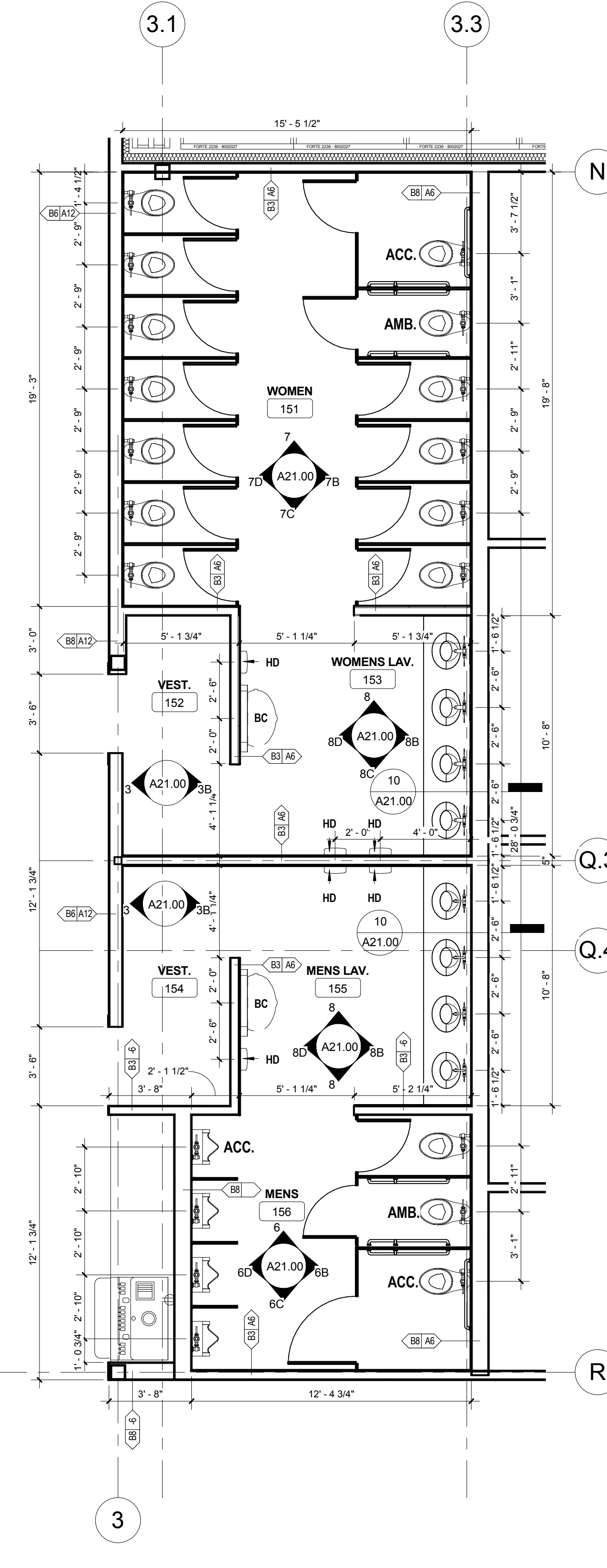
5 FIXTURE MOUNTING HEIGHTS
1/2" = 1'-0"



4 ENLARGED PLAN - WOMENS 179 + MENS 186
1/4" = 1'-0"



3 TYPICAL VESTIBULE ELEVATIONS
1/4" = 1'-0"



2 ENLARGED PLAN - WOMENS 151 + MENS 155
1/4" = 1'-0"

- A ALL TOILET AND URINAL PARTITIONS ARE TO BE BOBRICK HPL CLASSIC 1540
- B PROVIDE CONTINUOUS BRACKET AT FULL HEIGHT OR PARTITION AND CONTINUOUS BLOCKING.
- C ALL EXPOSED TILE EDGES ARE TO RECEIVE TILE TRIM CG2. SEE A82.00 FOR ADDITIONAL INFORMATION.
- D SEE PLUMBING DRAWINGS FOR LOCATIONS OF FLOOR DRAINS. PROVIDE POSITIVE DRAINAGE TO ALL FLOOR DRAINS.
- E PROVIDE AND INSTALL RESTROOM INSTALL ACCESSORIES PER [5 / A21.00] AND [13 / A21.00]
- F MOUNT RESTROOM FIXTURES PER [15 / A22.00]
- G FOR FIXTURES AND TOILET COMPARTMENTS MARKED 'ACC' AND 'AMB' INSTALL FIXTURES AND PROVIDE ACCESSORIES FOR ACCESSIBLE AND AMBULATORY FIXTURES AS SHOWN ON [15 / A22.00]
- H INSTALL ALL WALL TILE PER [8 / A90.10]

1 GENERAL NOTES
1/2" = 1'-0"

REV.	DATE	ISSUE TITLE
06.12.17		ISSUE FOR PERMIT
05.24.17		ISSUE FOR BID



CINERGY AMARILLO

ENLARGED RESTROOM
PLANS

ARA007 PROJECT NUMBER **A21.00** SHEET NUMBER