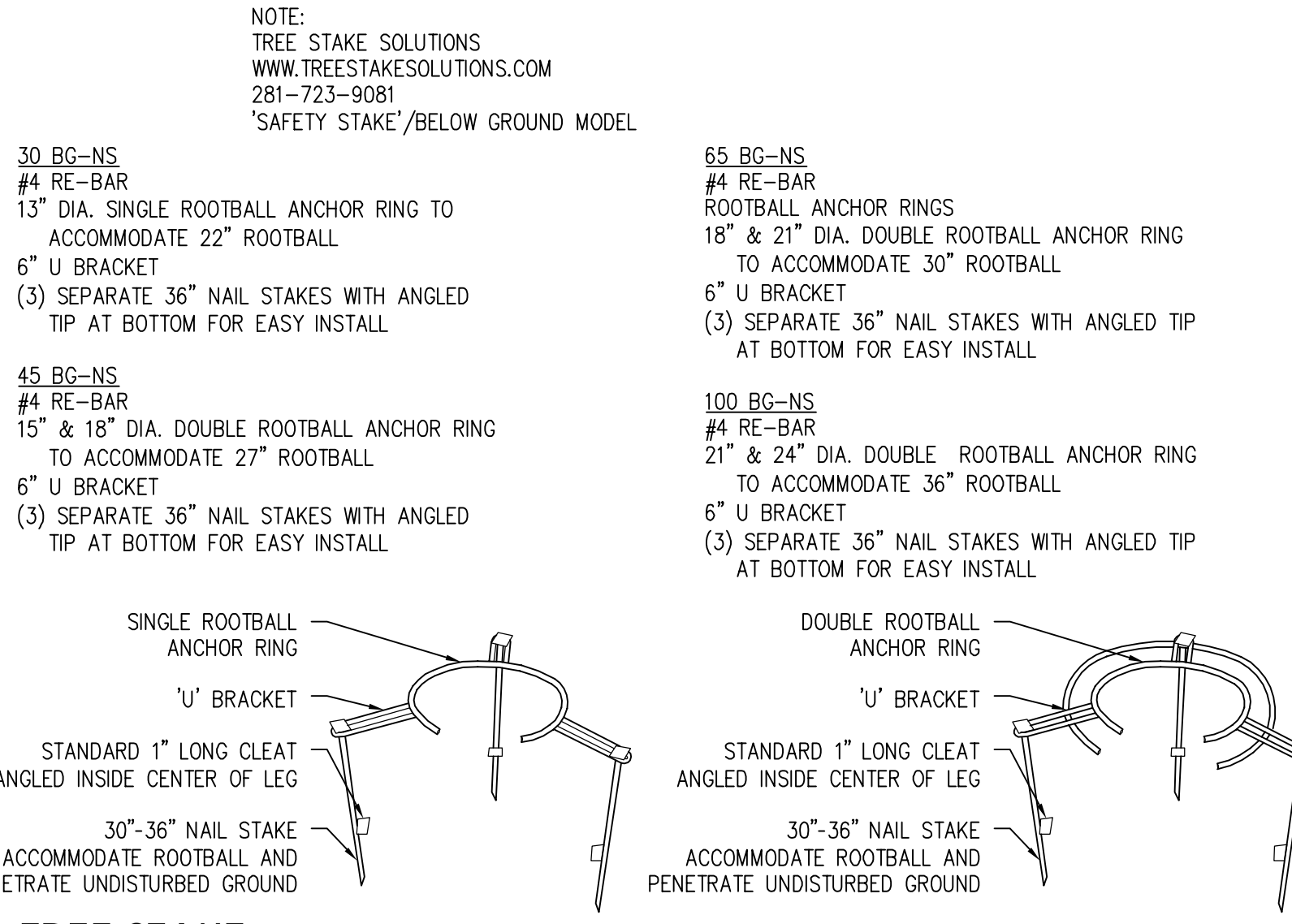
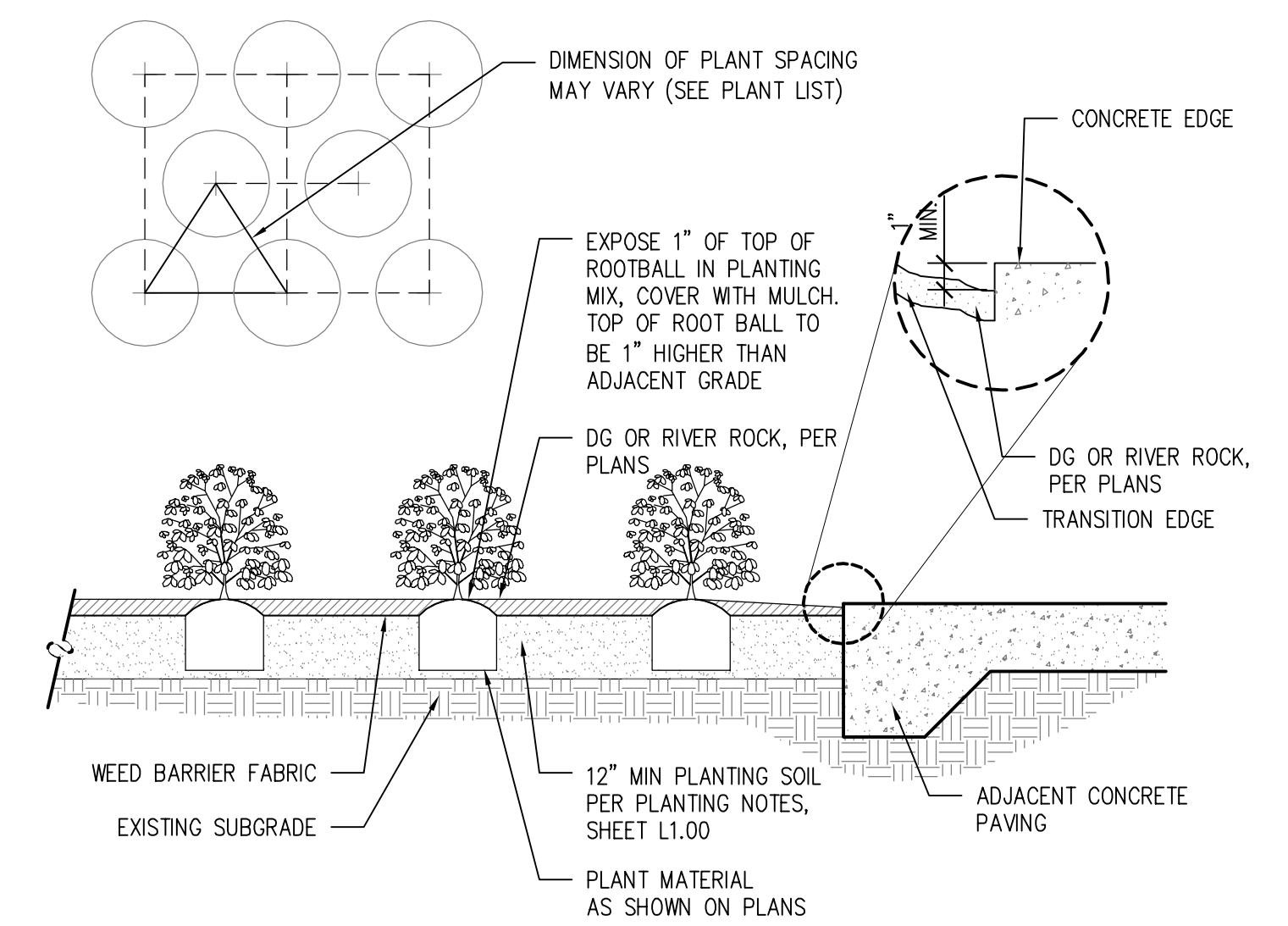


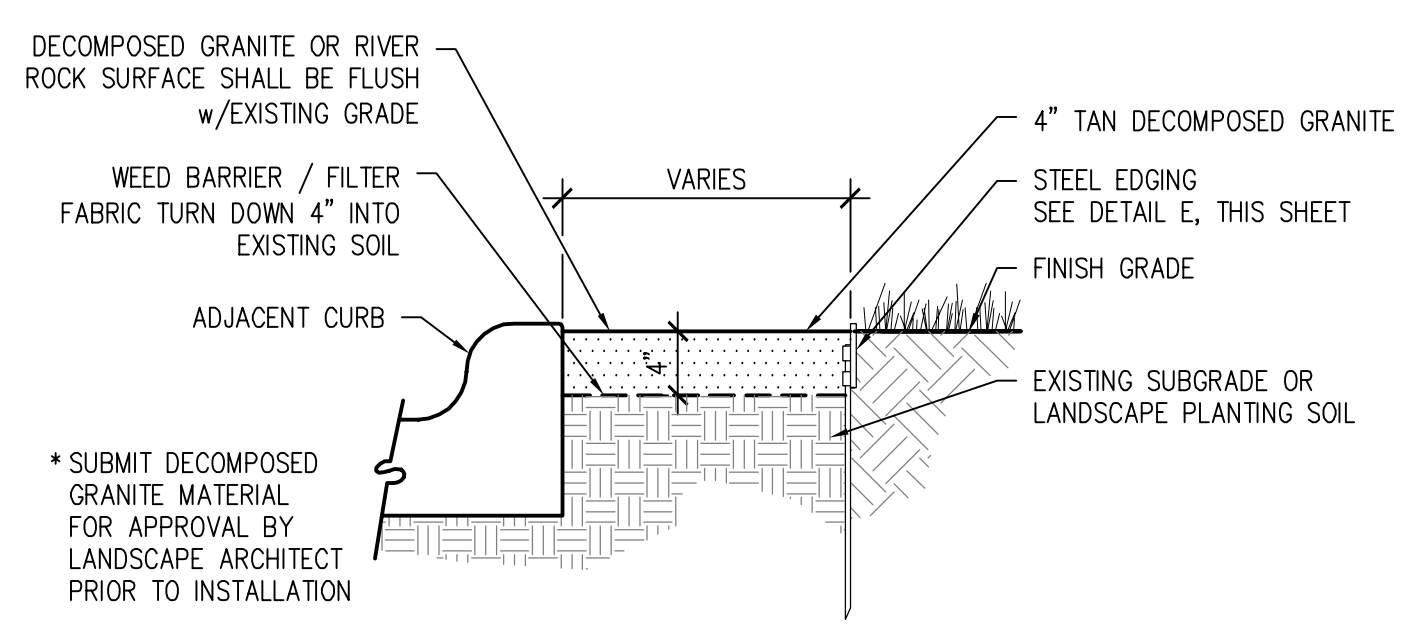
A TREE PLANTING AND STAKING
SCALE: NTS



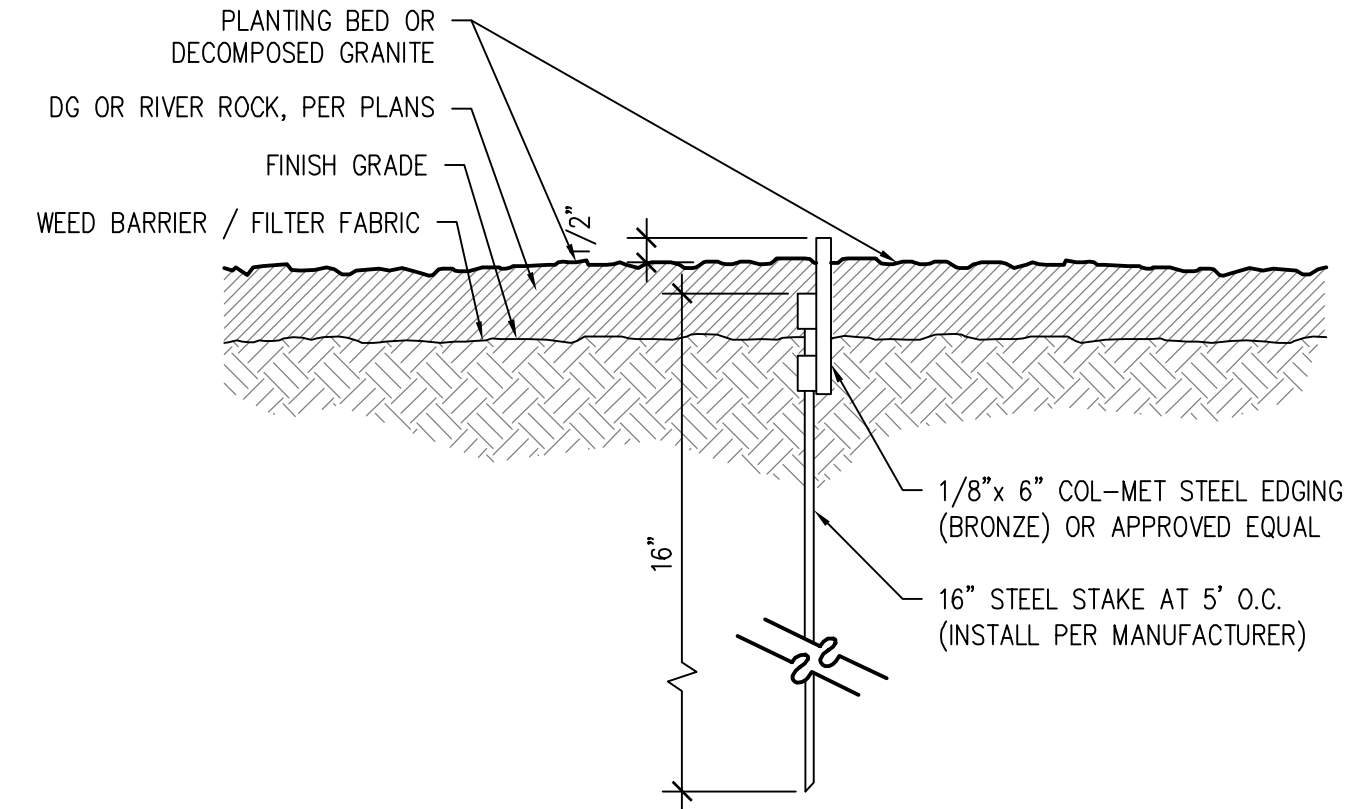
B TREE STAKE
SCALE: NTS



C SHRUB/GROUNDCOVER PLANTING & SPACING
SCALE: NTS



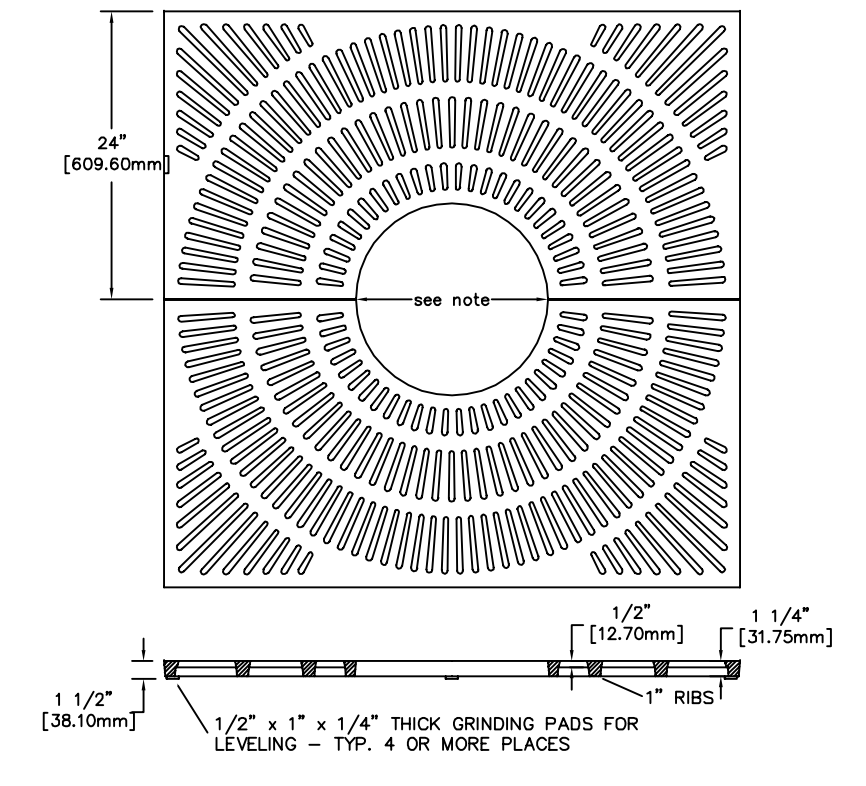
D DECOMPOSED GRANITE / RIVER ROCK
SCALE: NTS



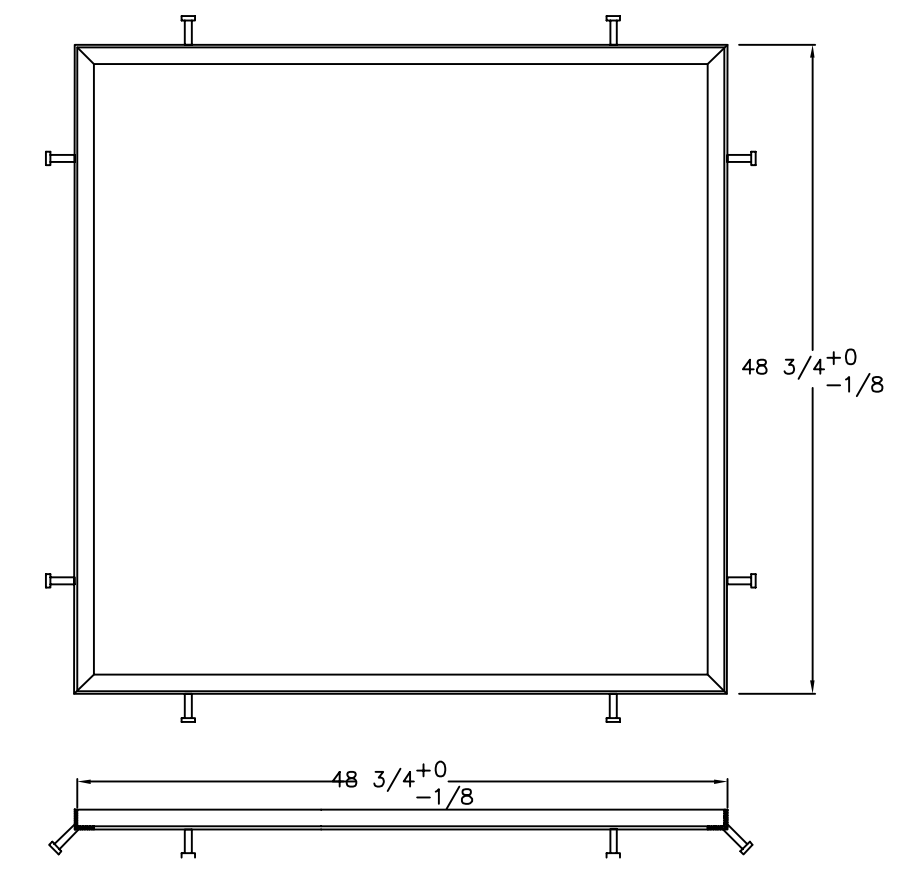
E STEEL EDGING
SCALE: NTS

PLANT SCHEDULE

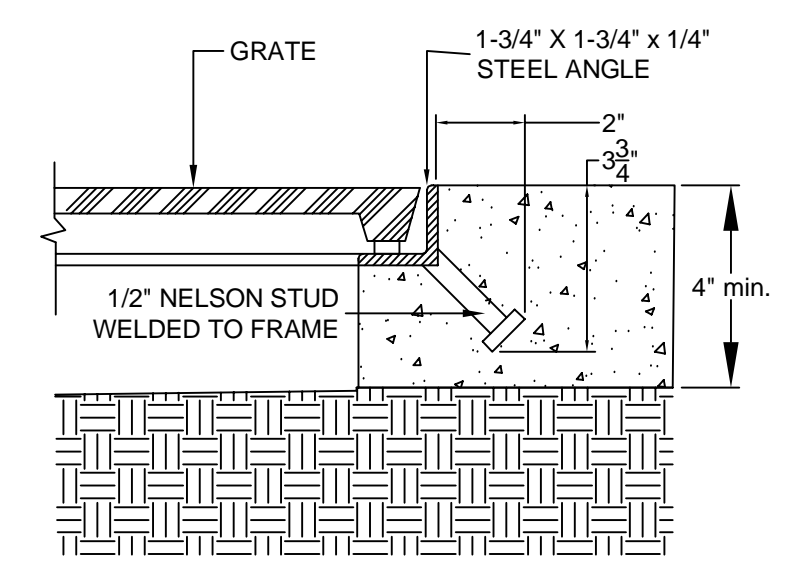
TREES	QTY	COMMON NAME	BOTANICAL NAME	SIZE	CONT.	HEIGHT	SPREAD
	4	BALD CYPRESS	TAXODIUM DISTICHUM	3"	CONTAINER GROWN	12'-14'	5'-7'
	12	CEDAR ELM	ULMUS CRASSIFOLIA	3"	CONTAINER GROWN	12'-14'	5'-7'
	9	CHINESE PISTACHE	PISTACIA CHINENSIS	3"	CONTAINER GROWN	12'-14'	5'-7'
	7	CHITALPA	CHITALPA TASHKENTENSIS	3"	CONTAINER GROWN	8'-10'	4'-6'
	13	LACEBARK ELM	ULMUS PARVIFOLIA	3"	CONTAINER GROWN	12'-14'	5'-7'
	14	TEXAS REDBUD	CERCIS CANADENSIS TEXENSIS	3" SINGLE TRUNK	CONTAINER GROWN	8'-10'	4'-6'
SHRUBS	QTY	COMMON NAME	BOTANICAL NAME	CONT.	HEIGHT	SPREAD	SPACING
	4	FLAME ACANTHUS	ANISACANTHUS QUADRIFIDUS WRIGHTII	1 GAL	10'-12'	8'-10'	4' O.C.
	14	GULF COAST MUHLY	MUHLENBERGIA CAPILLARIS	5 GAL	18'-20"	15'-18"	4' O.C.
GROUNDCOVERS	QTY	COMMON NAME	BOTANICAL NAME	CONT.	HEIGHT	SPREAD	SPACING
	24,864 SF	BERMUDA GRASS	CYNODON DACTYLON 'CELEBRATION'	SOLID SOD	NA	NA	NA
	8,341 SF	DECOMPOSED GRANITE	NA	4" THICK	NA	NA	NA
	18,177 SF	RIVER ROCK	NA	2'-4" STONES	NA	NA	NA
		STEEL EDGING					
		TREE GRATE					



F TREE GRATE DETAIL
SCALE: NTS



G TREE GRATE INSTALLATION DETAIL
SCALE: NTS



H TREE GRATE CONCRETE ANCHOR DETAIL
SCALE: NTS

NO.	DATE	DESCRIPTION
1	5/18/2017	FOR BIDDING

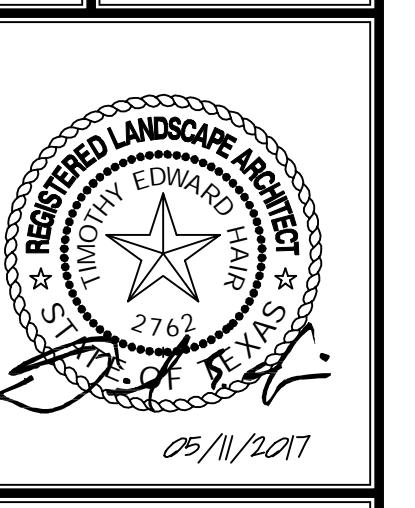
PLANTING DETAILS & SCHEDULE

DUNAWAY

4000 N. Big Spring Street • Suite 10 • Midland, Texas 79705
Tel: 432.699.4889
(TX REG. P-1115)

CINERGY CINEMAS

AMARILLO, TEXAS



JOB NO:	B003373.001
DESIGNED BY:	TEH
DRAWN BY:	JEJ
CHECKED BY:	TEH
DATE:	MAY 19, 2017
SHEET:	L2.00

PLANTING: Houston, TX
REVISED: 04/18/2017
DATE: 05/18/2017