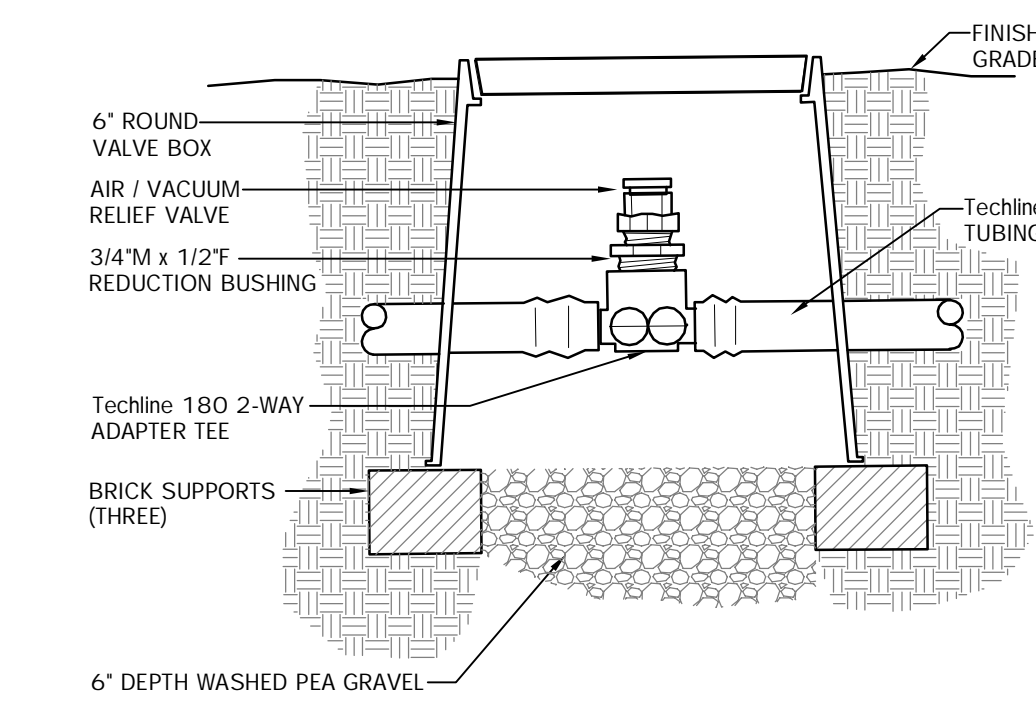
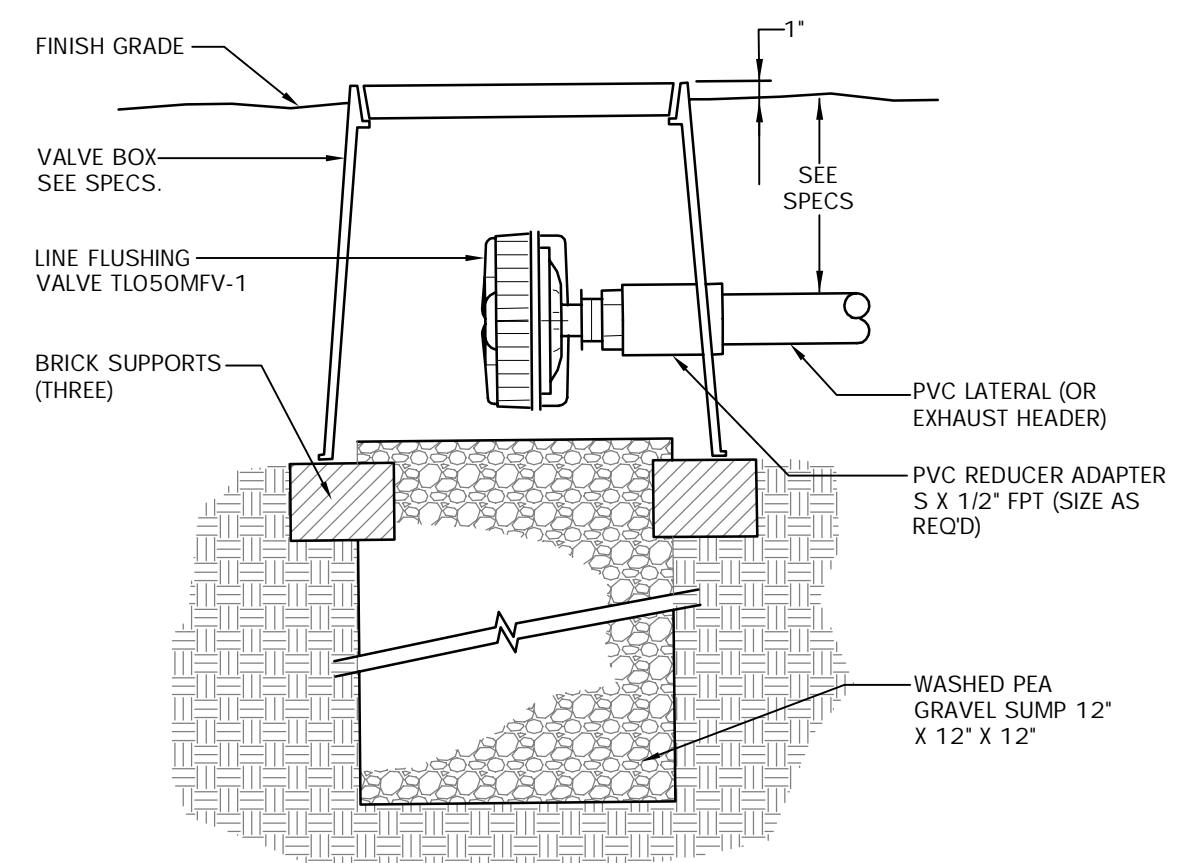


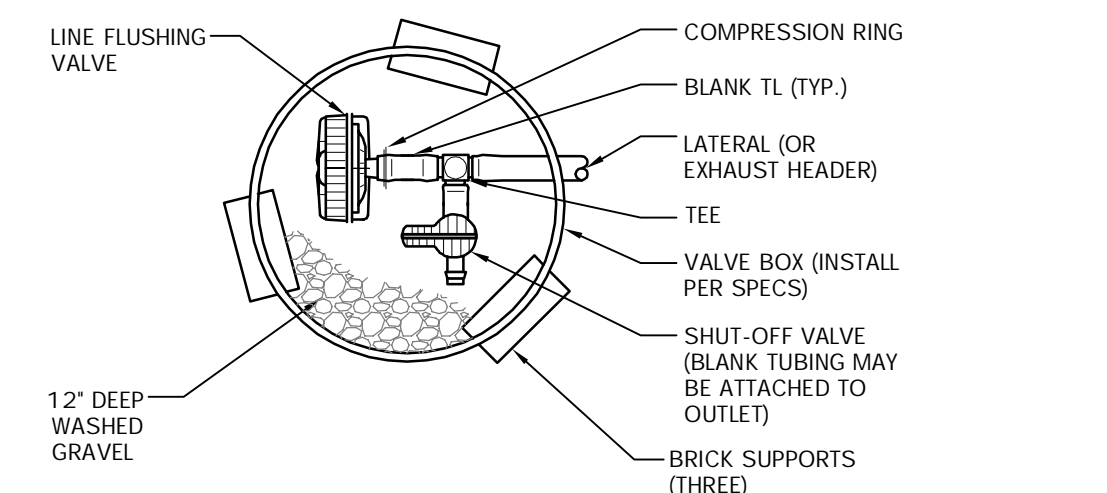
A DRIPLINE START CONNECTION
NTS - POLY TUBING TO TLIAPE-B INSERT ADAPTER



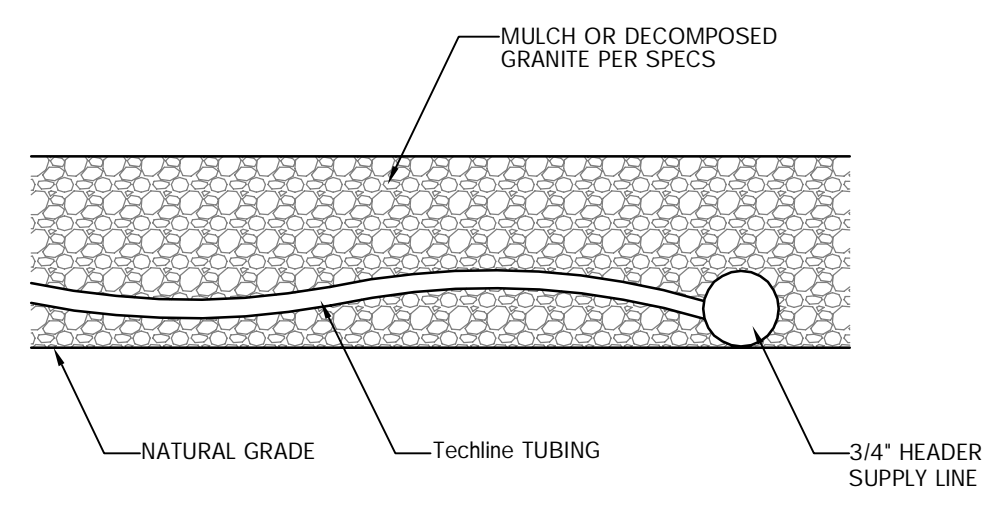
B DRIPLINE AIR / VACUUM RELIEF - PLUMB TO DRIPLINE
NTS



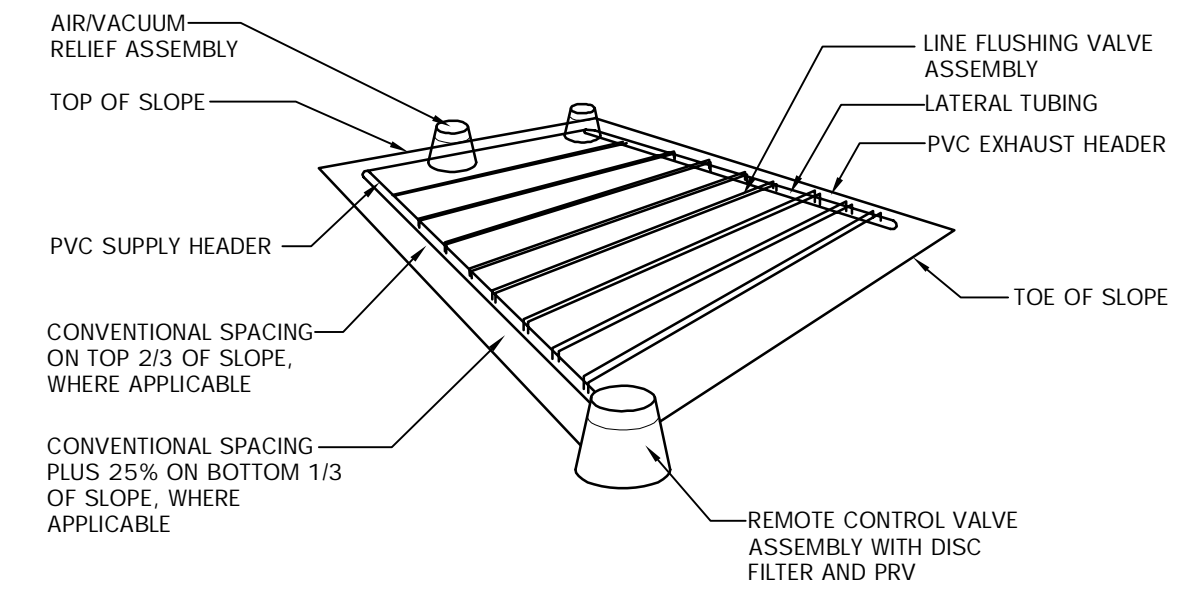
C DRIPLINE LINE FLUSHING VALVE - PLUMB TO PVC
NTS



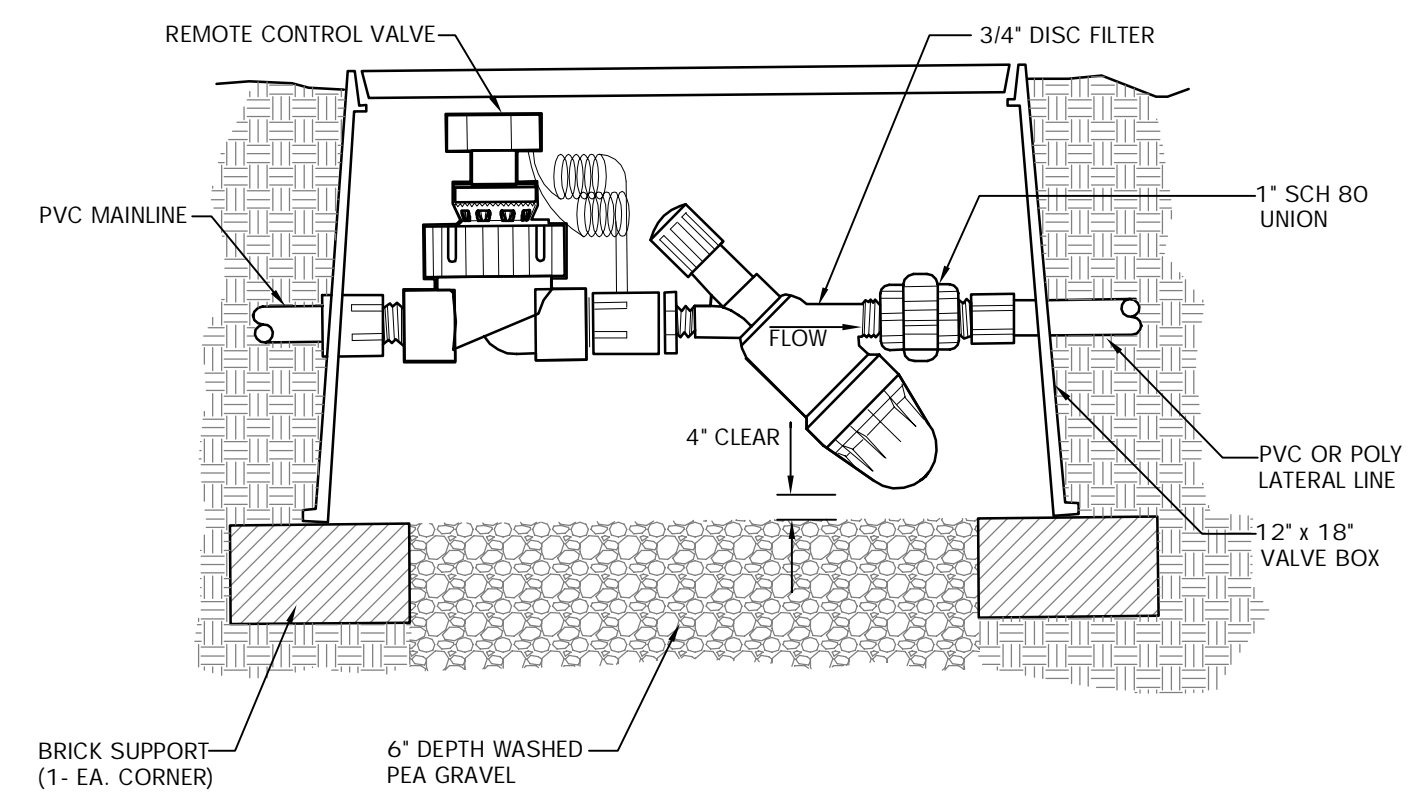
D LINE FLUSHING VALVE (W/SHUT-OFF VALVE)
NTS



E DRIPLINE TUBING LAYOUT
NTS



F TYPICAL DRIP TUBING SECTION
NTS



G DRIP REMOTE CONTROL VALVE W/ DISC FILTER
NTS

REVISIONS		DESCRIPTION
NO.	DATE	FOR BIDDING
1	5/18/2017	

IRRIGATION DETAILS

DUNAWAY

4000 N. Big Spring Street • Suite 101 • Midland, Texas 79705
Tel: 432.699.4859
(TX REG. P-1115)

CINERGY CINEMAS

AMARILLO, TEXAS

STATE OF TEXAS
JANEL MOODY
20528
05/11/2017

JOB NO: B003373.001
DESIGNED BY: JMM
DRAWN BY: JMM
CHECKED BY: TEH
DATE: MAY 19, 2017

SHEET: IR2.01

PLUMBING - Irrigation Detailing
© 2017 by Dunaway Inc. All Rights Reserved.
REVISED BY: JMM
DATE: 05/11/2017