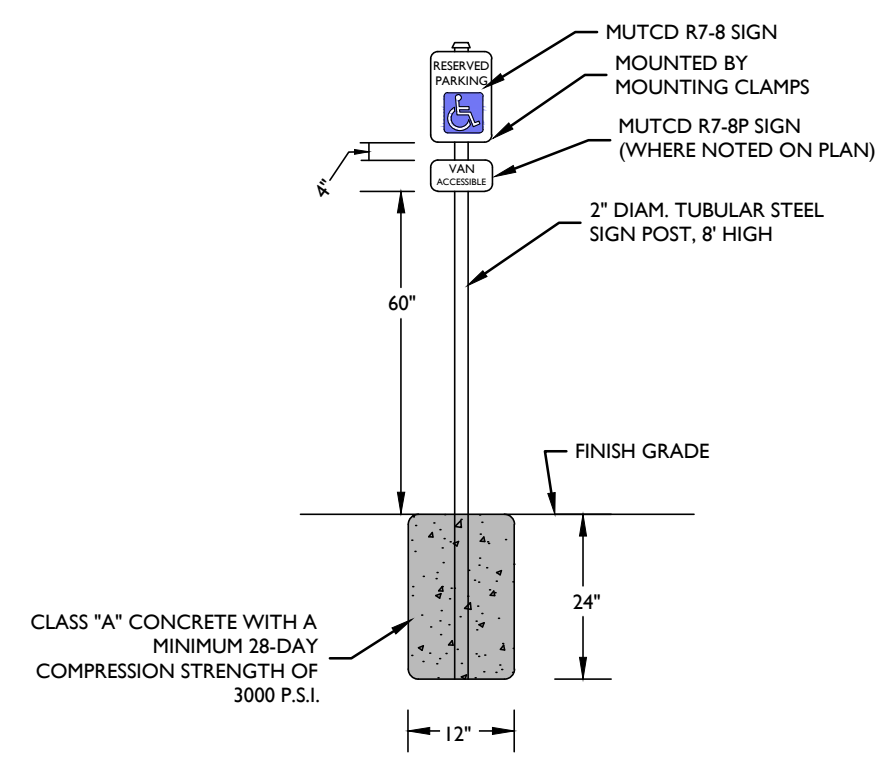
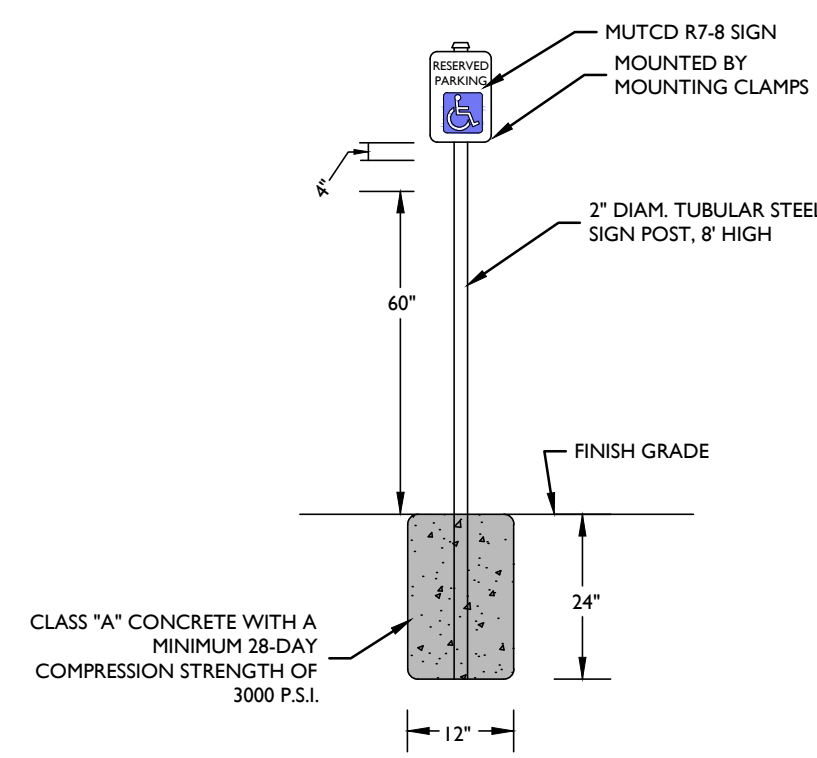


F:\2015\15007\JEFF BENSON\CINERGY CINEMAS\AMARILLO\DRAWINGS\CIVIL CONSTRUCTION SHEETS\15-0071 C216 PAVING DETAILS.DWG

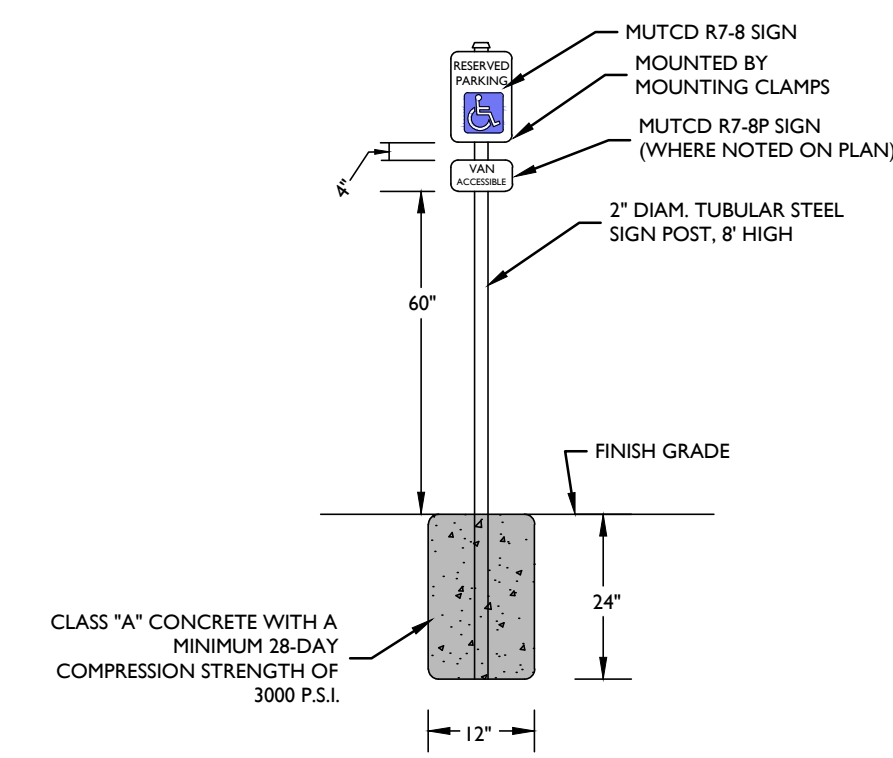
© COPYRIGHT 2014 ALL RIGHTS RESERVED



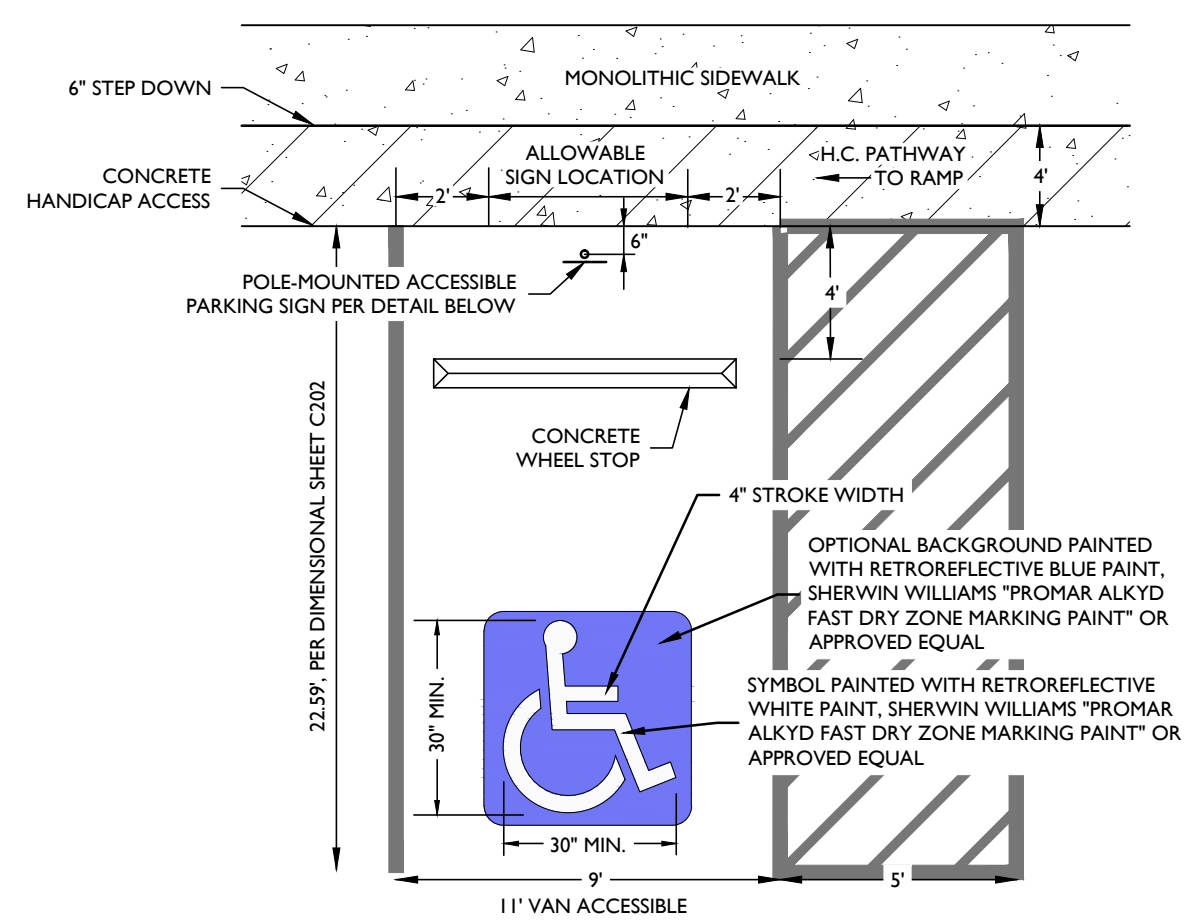
ACCESSIBLE SIGN MOUNTING
OR APPROVED EQUAL. N.T.S.



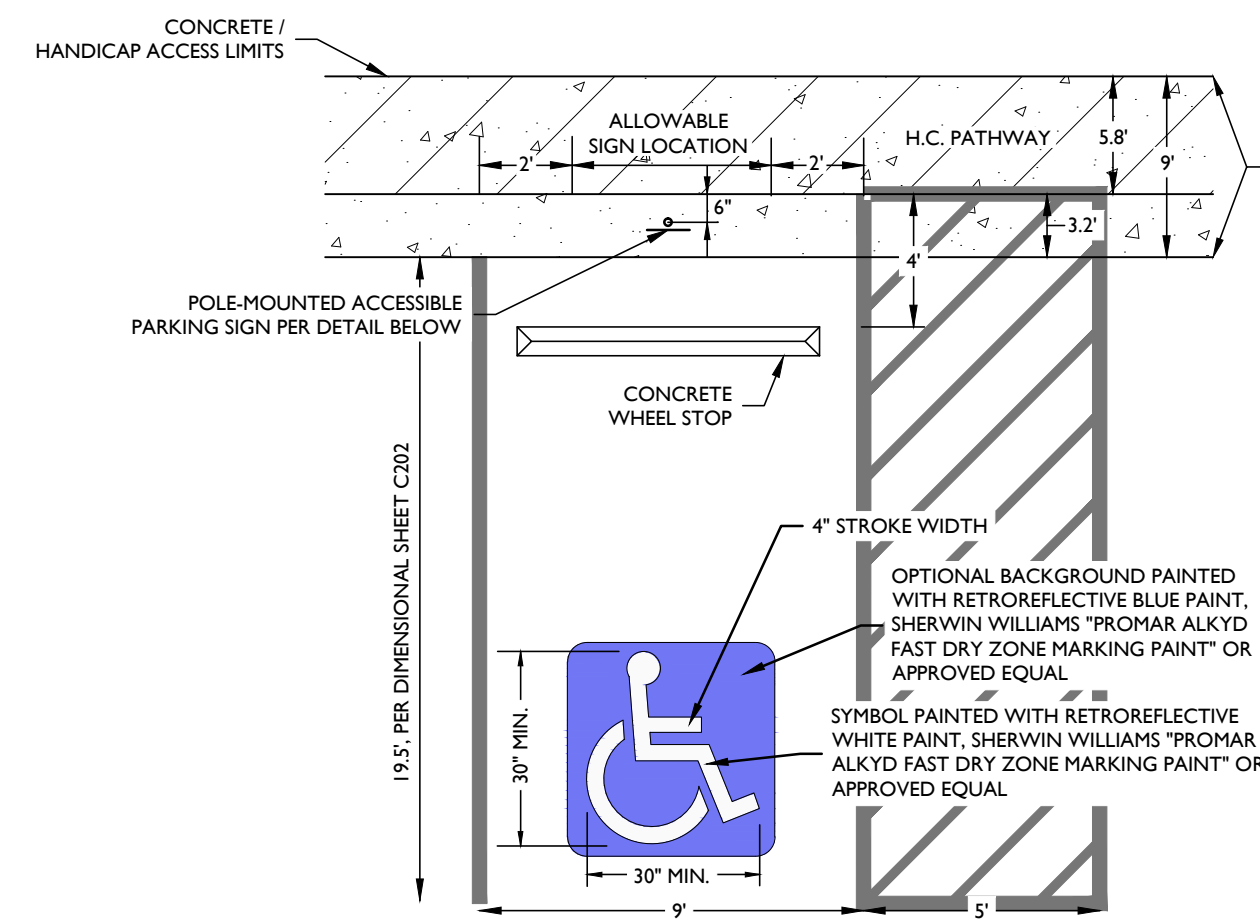
ACCESSIBLE SIGN MOUNTING
OR APPROVED EQUAL. N.T.S.



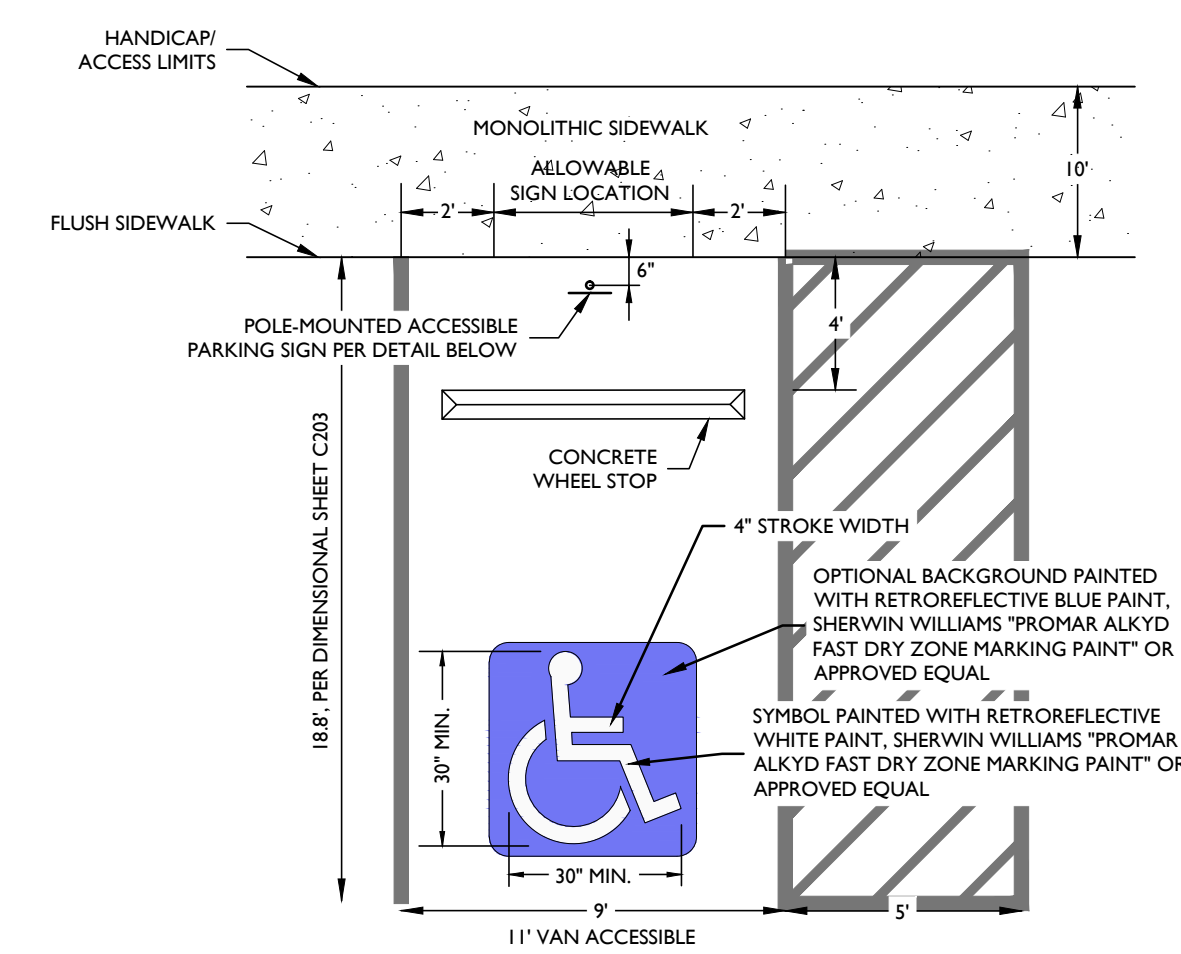
ACCESSIBLE SIGN MOUNTING
OR APPROVED EQUAL. N.T.S.



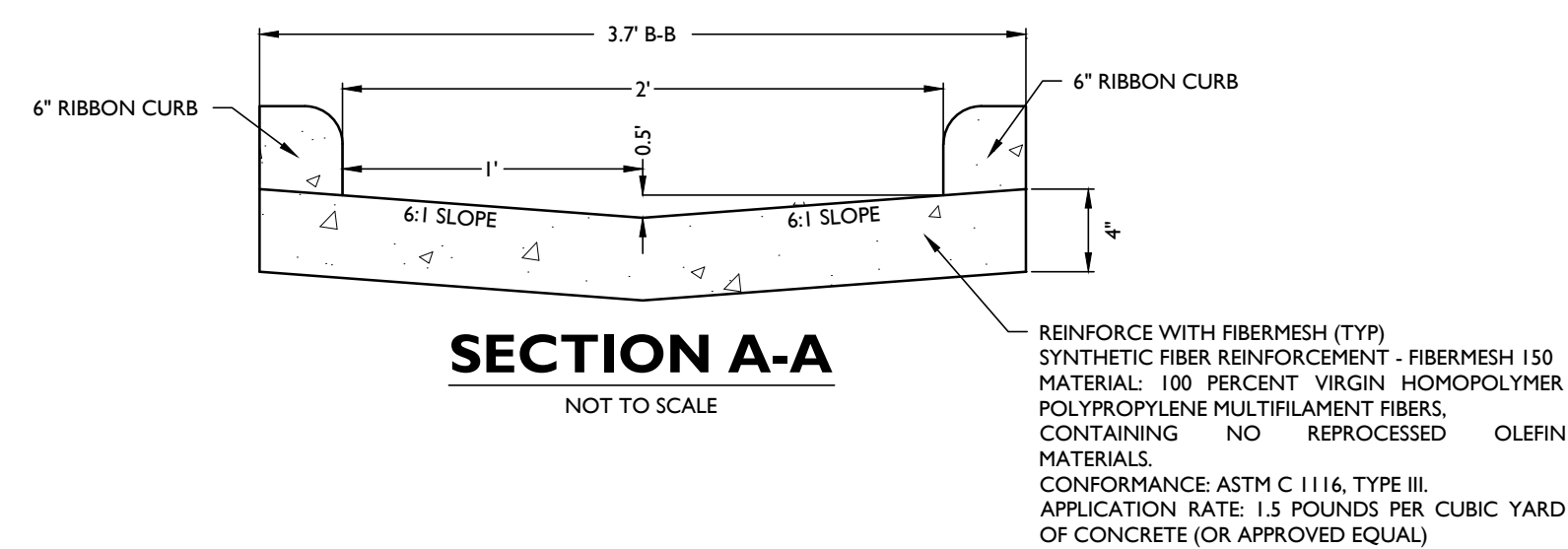
10 ACCESSIBLE SPACE MARKING "A"
OR APPROVED EQUAL. N.T.S.



11 ACCESSIBLE SPACE MARKING "B"
OR APPROVED EQUAL. N.T.S.



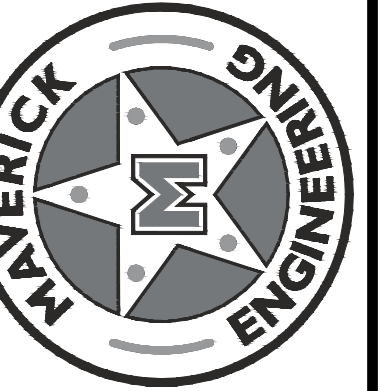
12 ACCESSIBLE SPACE MARKING "C"
OR APPROVED EQUAL. N.T.S.



13 FLUME DETAIL
OR APPROVED EQUAL. N.T.S.

REINFORCE WITH FIBERMESH (TYP)
SYNTHETIC FIBER REINFORCEMENT - FIBERMESH 150
MATERIAL: 100 PERCENT VIRGIN HOMOPOLYMER
POLYPROPYLENE MULTIFILAMENT FIBERS,
CONTAINING NO REPROCESSED OLEFIN
MATERIALS.
CONFORMANCE: ASTM C 1116, TYPE III
APPLICATION RATE: 1.5 POUNDS PER CUBIC YARD
OF CONCRETE (OR APPROVED EQUAL)

MAVERICK ENGINEERING
1909 West Wall Street, Suite "K"
Midland, Texas 79701
Tel: (432) 262-0999 Fax: (432) 262-0989
www.Maverick-Eng.com



DATE	
APPR.	
BY	
REGIONS	

DRAWN BY: TDE	PERMIT
CHECKED BY: ALM	
APPROVED BY: ALM	
DATE: 05/19/2017	
JOB: 2015-0071	

PAVING DETAILS
CINERGY CINEMAS
BEING A 9.7 TRACT OUT OF LOT 2, BLOCK 2, SECTION 63, BS&F SURVEY, CITY OF AMARILLO, POTTER COUNTY, TEXAS.

Andrew L. Mellen
ANDREW L. MELLEN
106572
LICENSED PROFESSIONAL ENGINEER
05/15/2017