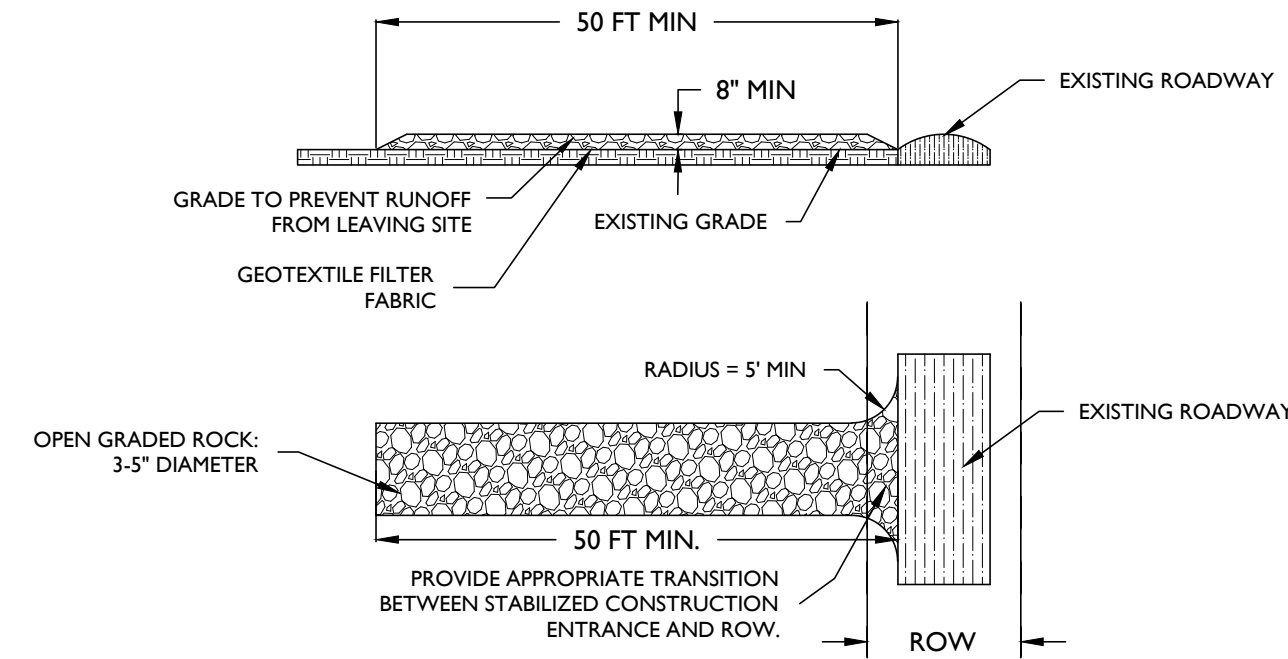


NOTES:

- ALL DISTURBED AREAS SHALL BE SEED AT A RATE OF 20 LBS/ACRE FOXTAIL MILLET, 2 LBS/ACRE BUFFALO GRASS, 1 LBS/ACRE LITTLE BLUESTEM, AND 1 LBS/ACRE SIDE OATS GRAMMA, OR OTHER DROUGHT TOLERANT MIXTURE APPROVED BY THE CITY ENGINEER. ALL SEEDING AREAS SHALL BE FERTILIZED AS SPECIFIED BY THE CITY OF MIDLAND PARKS DEPARTMENT AT TIME OF PLANTING.
- AFTER DESIGNATED AREAS HAVE BEEN COMPLETED TO THE GRADES SHOWN ON THE PLANS, AREAS TO BE SEEDING SHALL BE CULTIVATED TO A DEPTH OF 4 INCHES, EXCEPT WHERE SEEDING IS TO BE DONE USING A SEED DRILL SUITABLE FOR SEEDING INTO UNTILLED SOIL. THE SEEDBEDS SHALL BE CULTIVATED SUFFICIENTLY TO REDUCE THE SOIL TO A STATE OF GOOD TILTH WHEN THE SOIL PARTICLES ON THE SURFACE ARE SMALL ENOUGH TO LIE CLOSELY ENOUGH TOGETHER TO PREVENT THE SEED FROM BEING COVERED TOO DEEPLY FOR OPTIMUM GERMINATION. CULTIVATION OF THE SEEDBED WILL NOT BE REQUIRED IN LOOSE SAND WHERE DEPTH OF SAND IS 4 INCHES OR MORE.
- AFTER SEEDING, THE CHANNEL EMBANKMENTS SHALL BE LINED WITH A STRAW OR STRAWCOCONUT SOIL RETENTION BLANKET. THE FOLLOWING PRODUCTS, OR AN EQUAL APPROVED BY THE CITY ENGINEER, MAY BE USED:
ECS S1 STANDARD STRAW
ECS HIGH VELOCITY STRAW
LANDLOK BON-TERRA S2, EN52 OR ENCS2
NORTH AMERICAN GREEN S75, S75BN, S150, S150BN, OR SC150
ALTERNATELY, SOILGUARD BONDED FIBER MATRIX MAY BE USED.
- BLANKETS SHALL LIE PARALLEL TO THE DIRECTION OF WATER FLOW. BLANKETS SHALL BE SPREAD EVENLY WITHOUT STRETCHING SO FIBERS ARE IN DIRECT CONTACT WITH THE SOIL.
- THE UPSLOPE END OF EACH BLANKET SHOULD BE BURIED AT LEAST 6 INCHES IN A VERTICAL TRENCH WITH THE SOIL PRESSED FIRMLY AGAINST THE EMBEDDED MAT. ADDITIONAL CHECK TRENCHES AT 50 FEET INTERVALS MAY BE DESIRABLE ON STEEP GRADES OR LONG FLOW AREAS.
- STRIP ENDS AND END OVERLAPS SHOULD BE STAPLED WITH NOT MORE THAN 20 INCHES BETWEEN STAPLES. ALL OTHER JOINTS AND EDGES SHOULD BE STAPLED AT 40 INCH INTERVALS.
- STAPLES USED TO ANCHOR BLANKETS SHOULD BE U SHAPED, 11 GAUGE OR HEAVIER STEEL WIRE HAVING A SPAN WIDTH OF 1 INCH AND A LENGTH OF 6 INCHES OR MORE FROM TOP TO BOTTOM AFTER BENDING.
- IF SOILGUARD BONDED FIBER MATRIX IS CHOSEN, INSTALLATION SHALL CONFORM TO MANUFACTURERS RECOMMENDATIONS.
- DISTURBED AREAS OUTSIDE THE CHANNEL SHALL BE TREATED WITH A HYDRAULICALLY-APPLIED MULCH AT A RATE OF 2,000 LBS/ACRE.



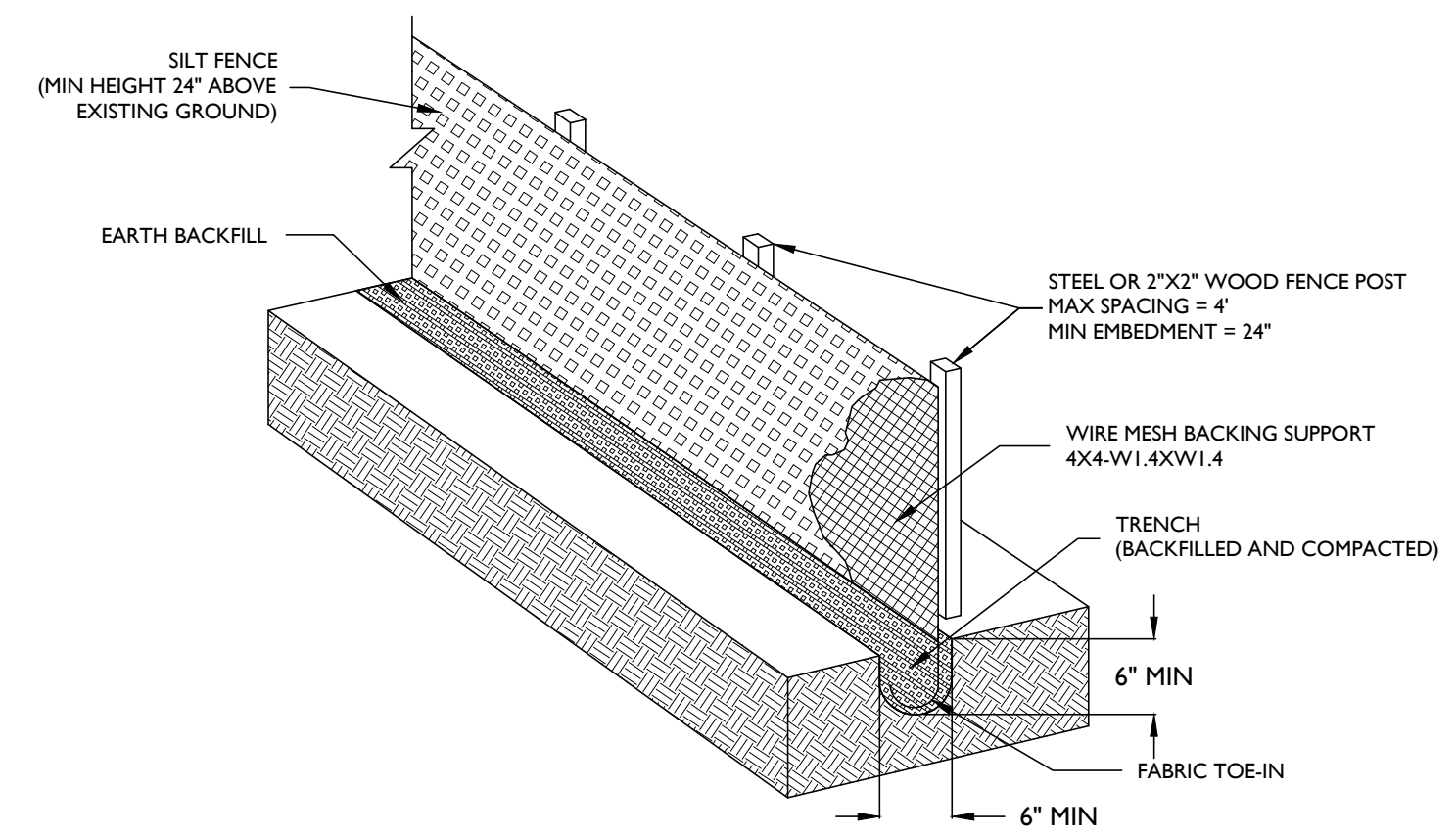
NOTES:

- LENGTH SHALL BE AS SHOWN ON THE CONSTRUCTION DRAWINGS, BUT NOT LESS THAN 50 FT.
- THICKNESS SHALL BE NO LESS THAN 8 INCHES.
- WIDTH SHALL BE NO LESS THAN FULL WIDTH OF ALL POINTS OF INGRESS OR EGRESS.
- STABILIZED CONSTRUCTION EXIT TO BE REMOVED UPON COMPLETION OF CONSTRUCTION.

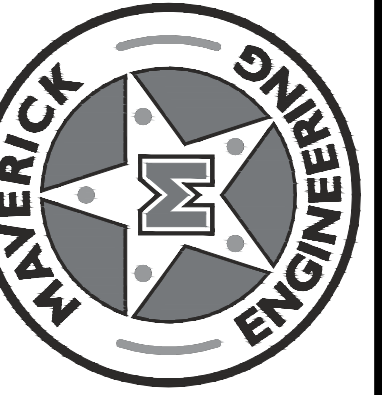
STABILIZED CONSTRUCTION EXIT
N.T.S.

SILT FENCE NOTES:

- STEEL OR WOOD POSTS, WHICH SUPPORT THE SILT FENCE, SHALL BE INSTALLED WITH A SLIGHT ANGLE TOWARD THE ANTICIPATED RUNOFF SOURCE. POSTS MUST BE EMBEDDED A MINIMUM OF TWO FEET.
- THE TOE OF THE SILT FENCE SHALL BE TRENCHED IN WITH A SPADE OR MECHANICAL TRENCHER, SO THAT THE DOWNSLOPE FACE OF THE TRENCH IS FLAT AND PERPENDICULAR TO THE LINE OF FLOW. WHERE FENCE CANNOT BE TRENCHED IN (E.G. PAVEMENT), WEIGHT FABRIC FLAP WITH WASHED GRAVEL ON UPHILL SIDE TO PREVENT FLOW UNDER FENCE.
- THE TRENCH MUST BE A MINIMUM OF 6 INCHES DEEP AND 6 INCHES WIDE TO ALLOW FOR THE SILT FENCE FABRIC TO BE LAID IN THE GROUND AND BACKFILLED WITH COMPACTED MATERIAL.
- SILT FENCE SHOULD BE SECURELY FASTENED TO EACH STEEL SUPPORT POST OR TO WOVEN WIRE, WHICH IN TURN ATTACHED TO THE STEEL OR WOOD FENCE POST. THERE SHALL BE A 6-INCH DOUBLE OVERLAP, SECURELY FASTENED WHERE ENDS OF FABRIC MEET.
- SILT FENCE SHALL BE REMOVED WHEN THE SITE IS COMPLETELY STABILIZED SO AS NOT TO BLOCK OR IMPEDE STORM FLOW OR DRAINAGE.
- ACCUMULATED SILT SHALL BE REMOVED WHEN IT REACHES A DEPTH OF 6 INCHES. THE SILT SHALL BE DISPOSED OF ONSITE IN AN APPROVED LOCATION AND IN SUCH A MANNER AS TO NOT CONTRIBUTE TO ADDITIONAL SILTATION.



SILT FENCE DETAIL
N.T.S.



DATE	BY	APPR.	REVISIONS
			ISSUE FOR BID 05.24.17

DRAWN BY: TDE	CHECKED BY: ALM	APPROVED BY: ALM	DATE: 04/14/2016	JOB: 2015-0071
---------------	-----------------	------------------	------------------	----------------

SWPPP DETAILS
CINERGY CINEMAS
BEING A 9.7 TRACT OUT OF LOT 2, BLOCK 2, SECTION 63, BS&F SURVEY, CITY OF AMARILLO, POTTER COUNTY, TEXAS.

Andrew L. Mellen
ANDREW L. MELLEN
106572
LICENSED PROFESSIONAL ENGINEER
03/09/2017