

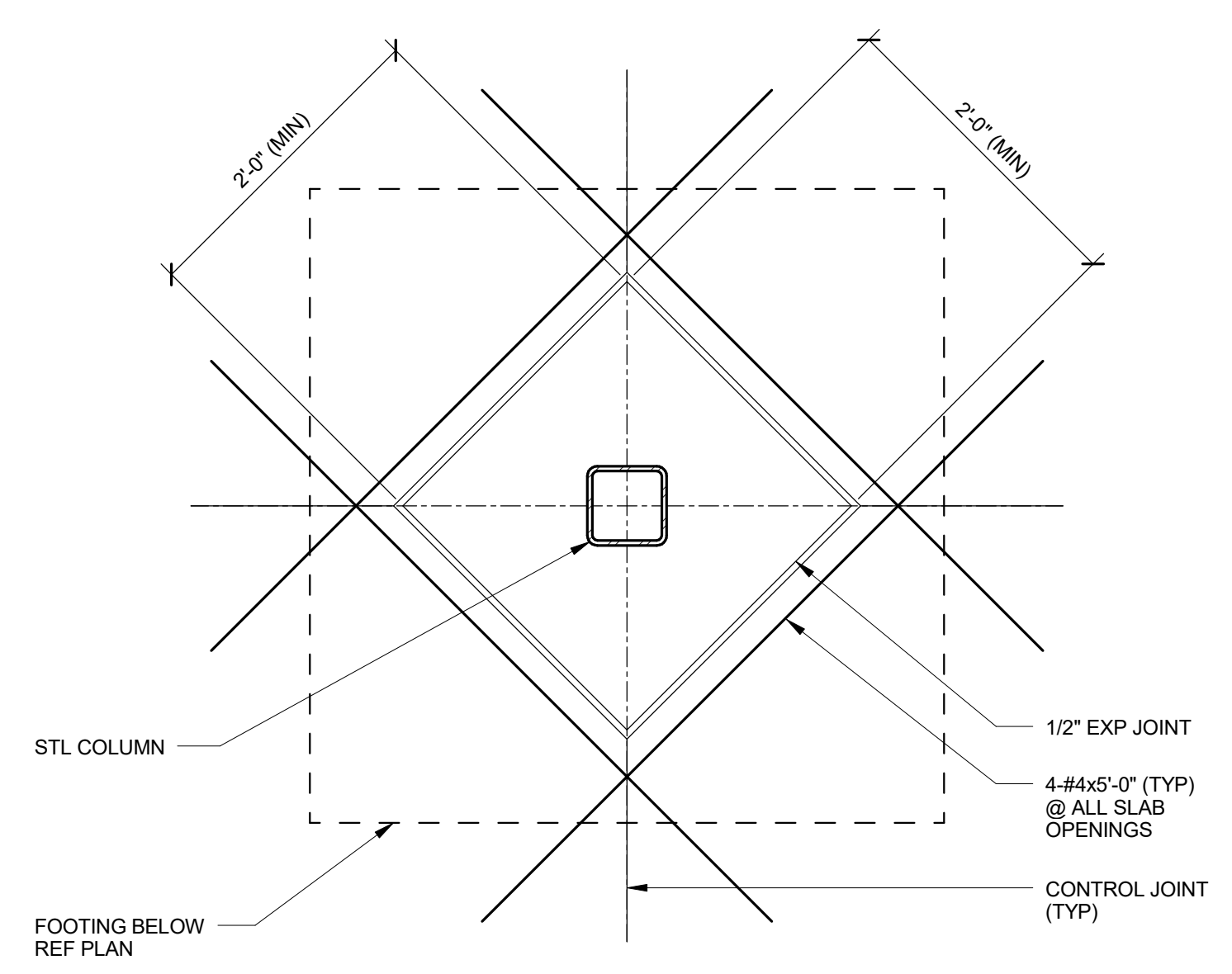
ARCHITECT
5G Studio Collaborative, LLC.
800 Jackson St., Suite 500
Dallas, TX 75202
Ian Means 214-646-1508

STRUCTURAL ENGINEER
Hunt & Joiner, Inc.
1120 Capital of Texas Highway Suite 120
Austin, TX 78746
Colin Edwards 512-358-8788

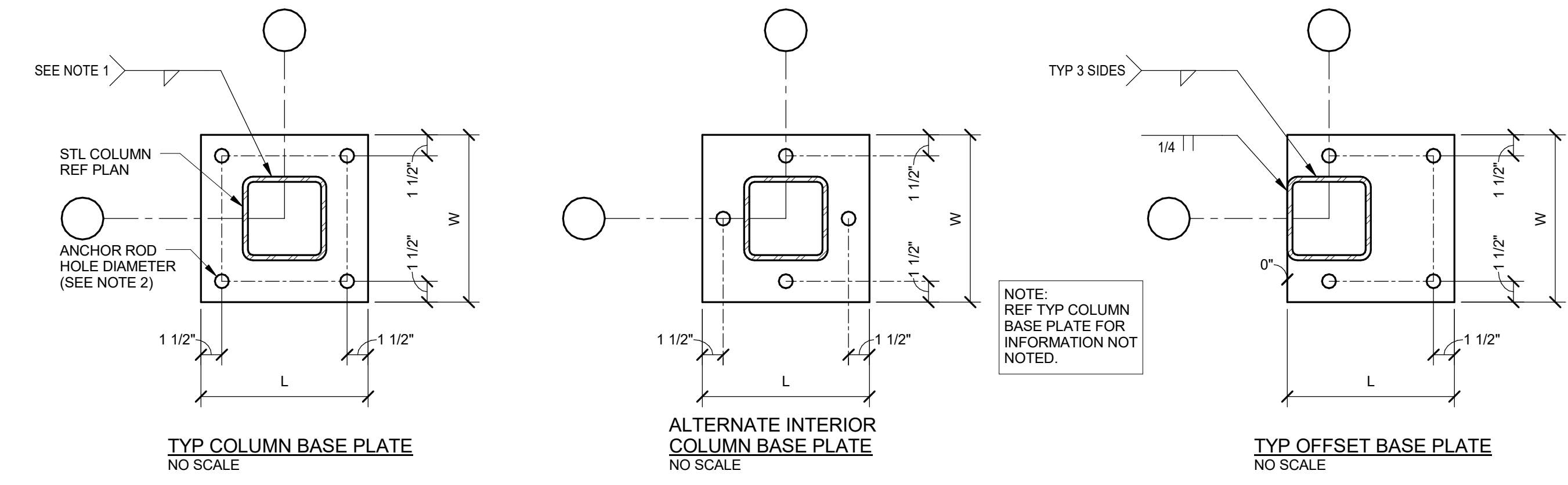
MEP ENGINEER
Envirodesign
900 Ranch Road 620 South, Suite C101-301
Austin, TX 78734
Sam Fatten 512-693-9015

CIVIL ENGINEER
Maverick Engineering
1909 West Wall Street, Suite K
Midland, TX 79701
Andrew Melton 432-282-0999

OWNER
Cinergy Cinemas & Entertainment
5720 LBJ Freeway, Suite 625
Dallas, TX 75240
Jeffrey Benson 469-804-7475



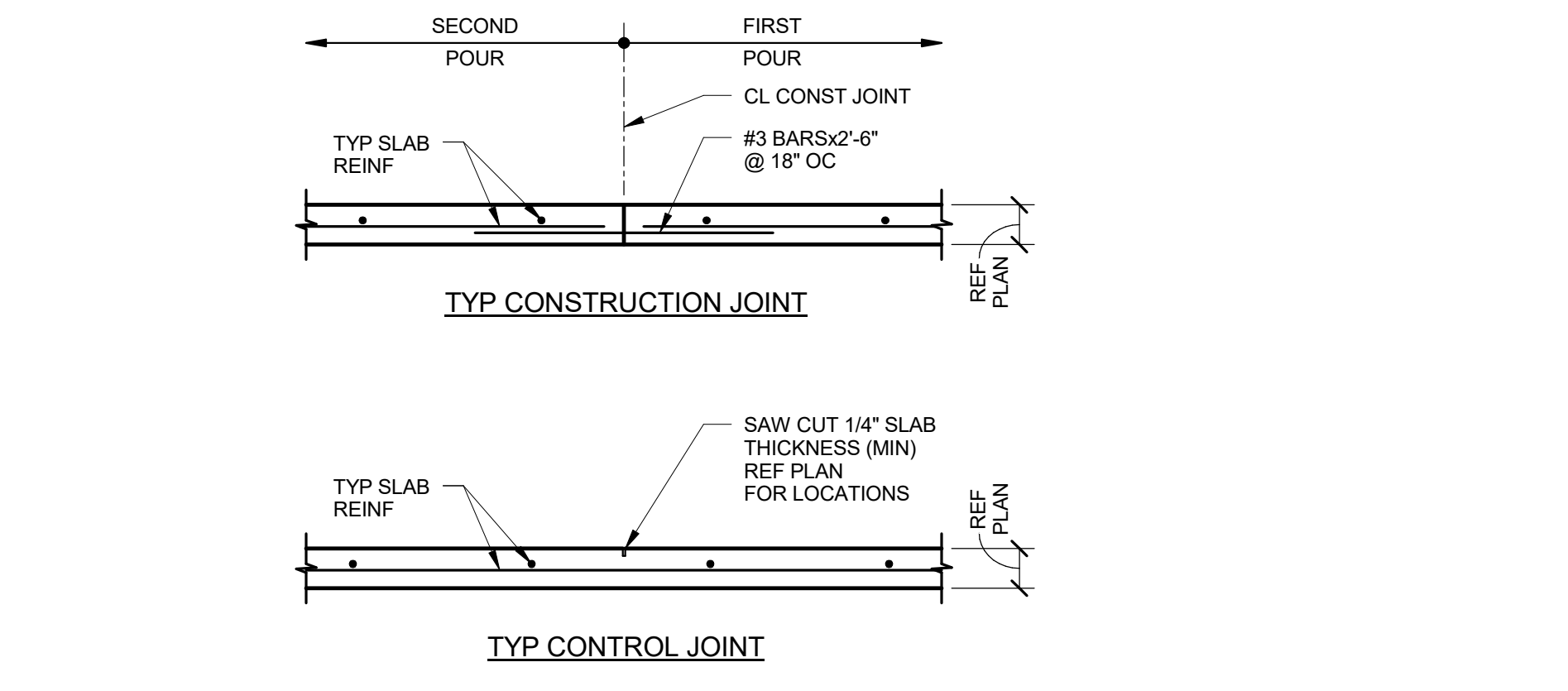
1 TYP DIAMOND POUR DETAIL
NTS



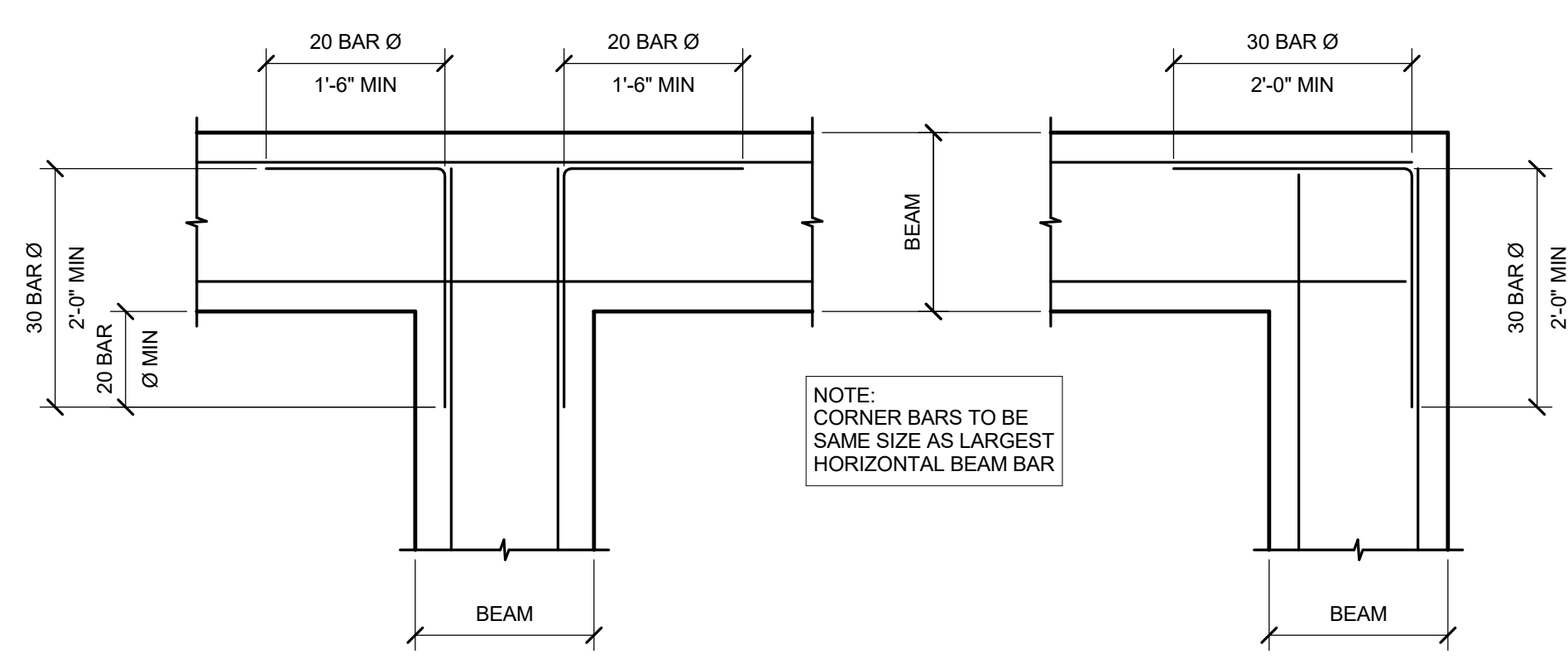
COLUMN BASE PL SCHEDULE		
COLUMN SIZE	BASE PLATE (LxWxT)	ANCHOR RODS (DIAMETER x EMBEDMENT)
HSS4x4	12"x12"x3/4"	4-3/4"x9" EMBED ASTM F1554 GRADE 36
HSS6x6	14"x14"x1"	4-3/4"x9" EMBED ASTM F1554 GRADE 36
HSS10x10	16"x16"x1"	4-3/4"x9" EMBED ASTM F1554 GRADE 36

NOTES:
1. SIZE WELDS PER AISC MINIMUM FILLET REQUIREMENTS (4 SIDES TYP).
2. ANCHOR ROD HOLES IN BASE PLATES AND MINIMUM PLATE WASHER DIAMETER AND THICKNESS SHALL BE SIZED IN ACCORDANCE WITH TABLE 14.2 OF THE AISC MANUAL OF STEEL CONSTRUCTION, 14th Ed.
3. ANCHOR ROD NUTS SHALL BE ASTM A563.
4. ANCHOR ROD PLATE WASHERS SHALL BE ASTM A36 PLATE.

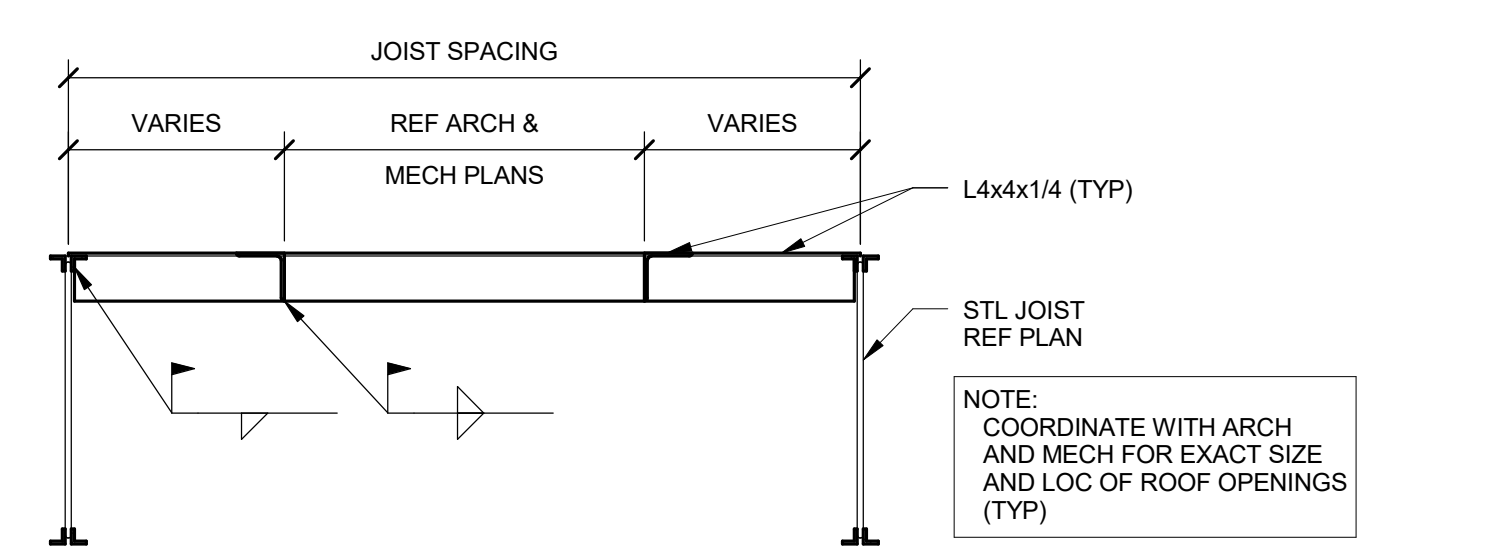
2 COLUMN BASE PLATE AND ANCHOR ROD DIAGRAMS
1 1/2" = 1'-0"



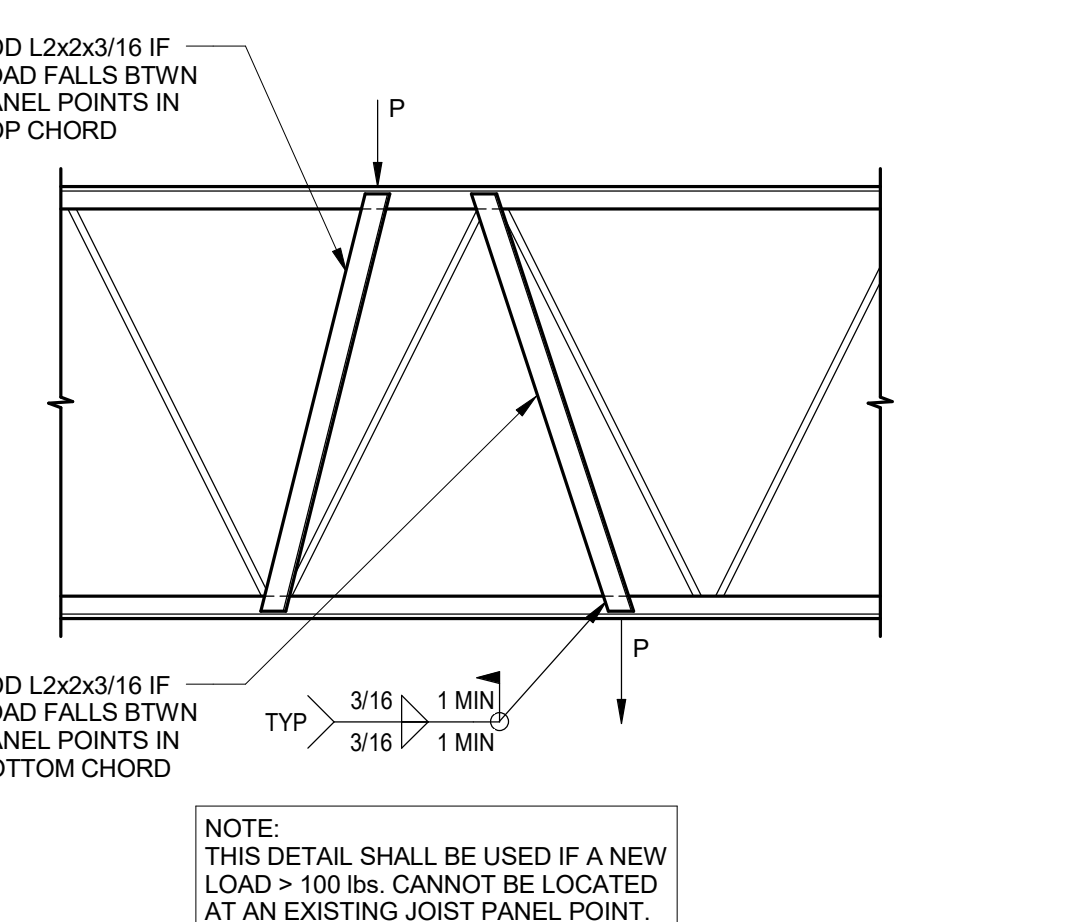
3 SLAB SLAB-ON-GRADE JOINT DETAIL
3/4" = 1'-0"



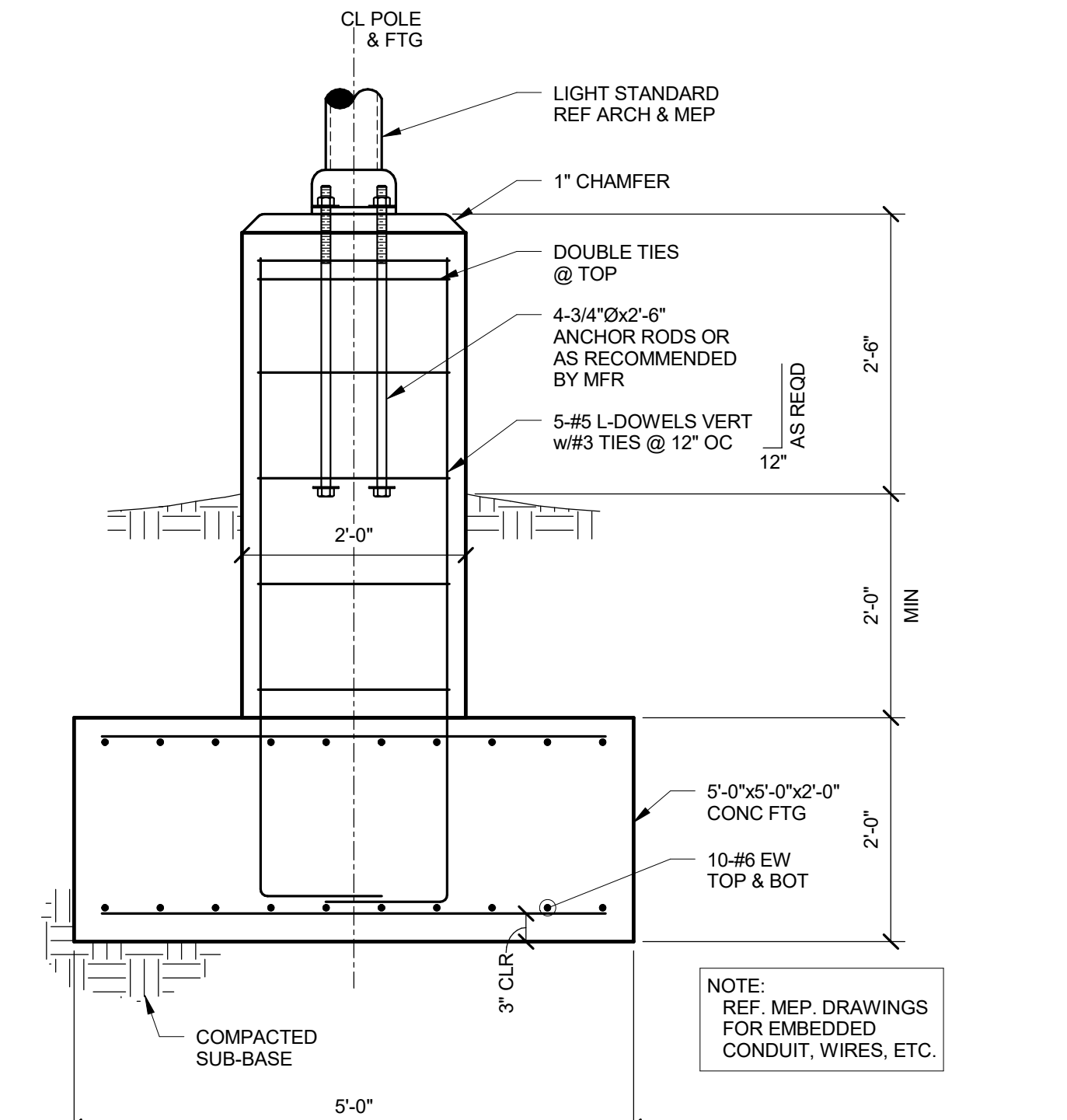
4 TYP CORNER BAR DETAIL
NTS



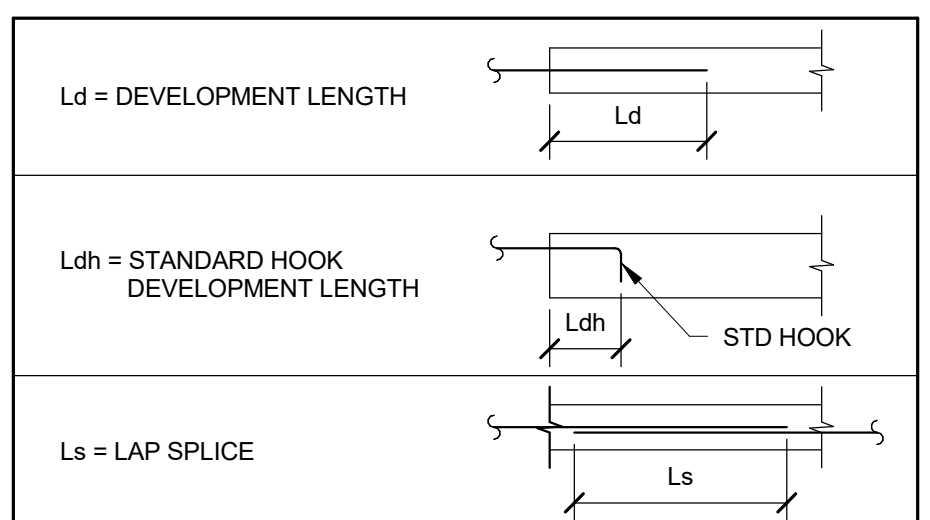
5 ROOF OPENING DETAIL
3/4" = 1'-0"



6 TYP JOIST REINFORCING DETAIL
3/4" = 1'-0"



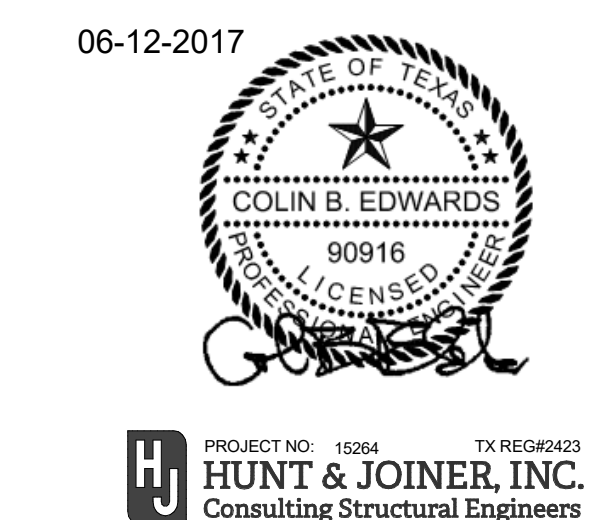
7 TYP LIGHT STANDARD DETAIL
3/4" = 1'-0"



DEVELOPMENT LENGTH & LAP SPLICE SCHEDULE		BAR SIZE																										
		#3		#4		#5		#6		#7		#8		#9		#10		#11										
fc (psi)	LOCATION	Ld	Ls	Ldh	Ld	Ls	Ldh	Ld	Ls	Ldh	Ld	Ls	Ldh	Ld	Ls	Ldh	Ld	Ls	Ldh	Ld	Ls	Ldh						
3,000	HORIZONTAL REINF ABOVE 12" OF FRESH CONCRETE	22	28	6	29	38	8	36	47	10	43	56	12	63	81	14	72	93	16	81	105	18	91	118	20	101	131	22
3,000	VERTICAL AND OTHER HORIZONTAL REINFORCING	17	22	6	22	29	8	28	36	10	33	43	12	48	63	14	55	72	16	62	81	18	70	91	20	78	101	22
4,500	HORIZONTAL REINF ABOVE 12" OF FRESH CONCRETE	18	23	6	24	31	7	30	38	8	35	46	10	51	67	11	59	76	13	66	86	15	74	96	16	82	107	18
4,500	VERTICAL AND OTHER HORIZONTAL REINFORCING	14	18	6	18	24	7	23	30	8	27	35	10	40	51	11	45	59	13	51	66	15	57	74	16	64	82	18

NOTES:
1. ALL VALUES ARE INCHES.
2. CLASS B LAP SPLICES ARE SHOWN PER ACI 318-08.
3. MULTIPLY THE ABOVE LENGTHS BY THE FOLLOWING FACTORS:
- 1.5 FOR EPOXY COATED REINFORCING WITH COVER LESS THAN 3db, OR CLEAR SPACING LESS THAN 6db
- 1.2 FOR ALL OTHER EPOXY COATED BARS
- 1.5 IF CLEAR SPACING OF BARS OR WIRES BEING DEVELOPED OR SPLICED IS LESS THAN 2.5db OR CLEAR COVER IS LESS THAN db
- 1.3 FOR LIGHTWEIGHT CONCRETE
4. HORIZONTAL BARS IN WALLS SHALL BE PROVIDED WITH LAP SPLICES EQUAL TO HORIZONTAL TOP REINF ABOVE 12" OF FRESH CONCRETE.

8 DEVELOPMENT LENGTH & LAP SPLICE SCHEDULE
NTS



REV.	DATE	ISSUE FOR	ISSUE TITLE
	05-24-17	ISSUE FOR BID	

CINERGY AMARILLO

TYPICAL DETAILS

XXXXX PROJECT NUMBER **S6** SHEET NUMBER