



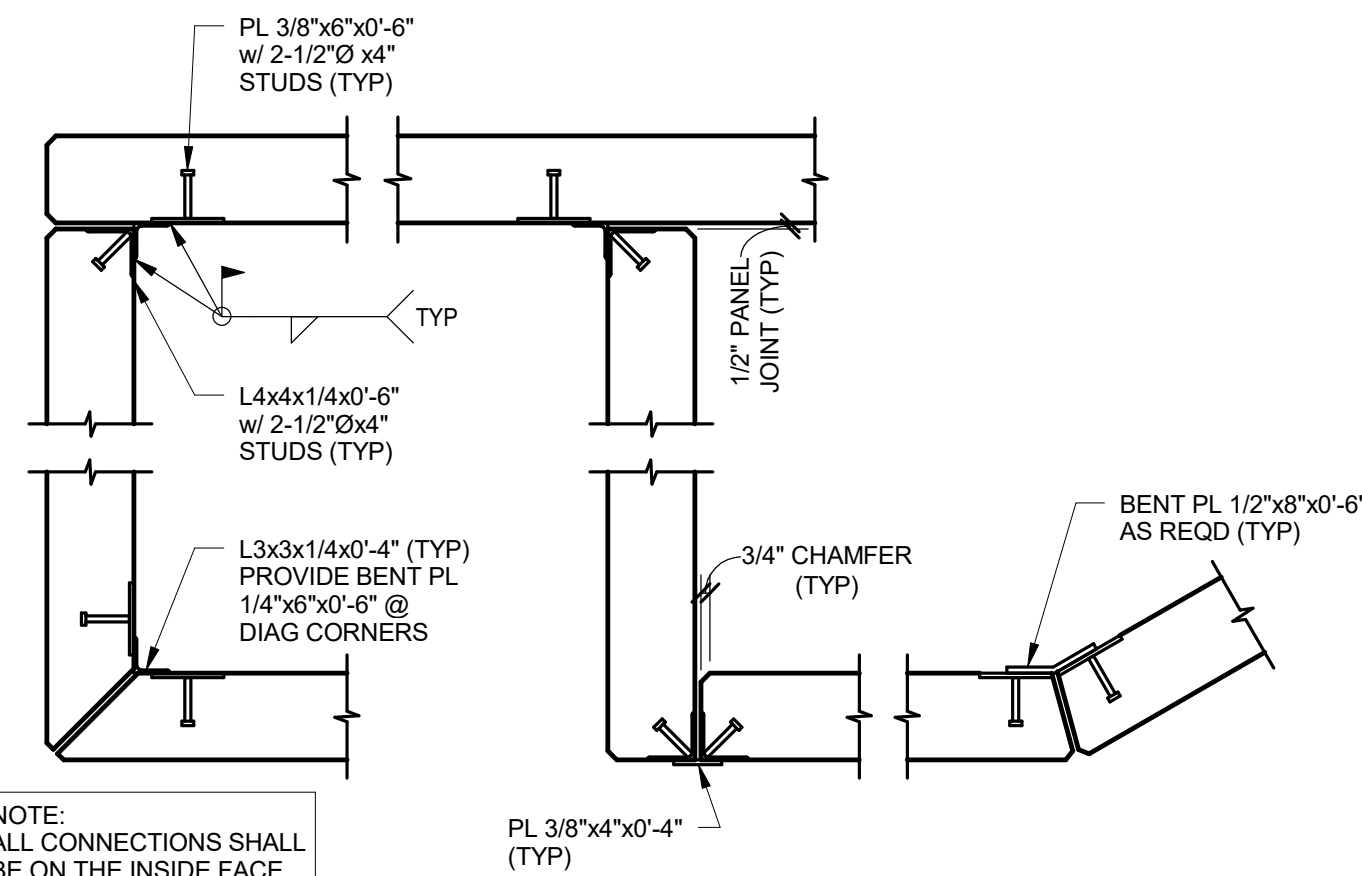
ARCHITECT  
5G Studio Collaborative, LLC.  
800 Jackson St., Suite 500  
Dallas, TX 75202  
Ian Means 214-646-1508

STRUCTURAL ENGINEER  
Hunt & Joiner, Inc.  
1120 Capital of Texas Highway Suite 120  
Austin, TX 78746  
Colin Edwards 512-358-8788

MEP ENGINEER  
Envirodesign  
900 Ranch Road 620 South, Suite C101-301  
Austin, TX 78734  
Sam Futton 512-693-9015

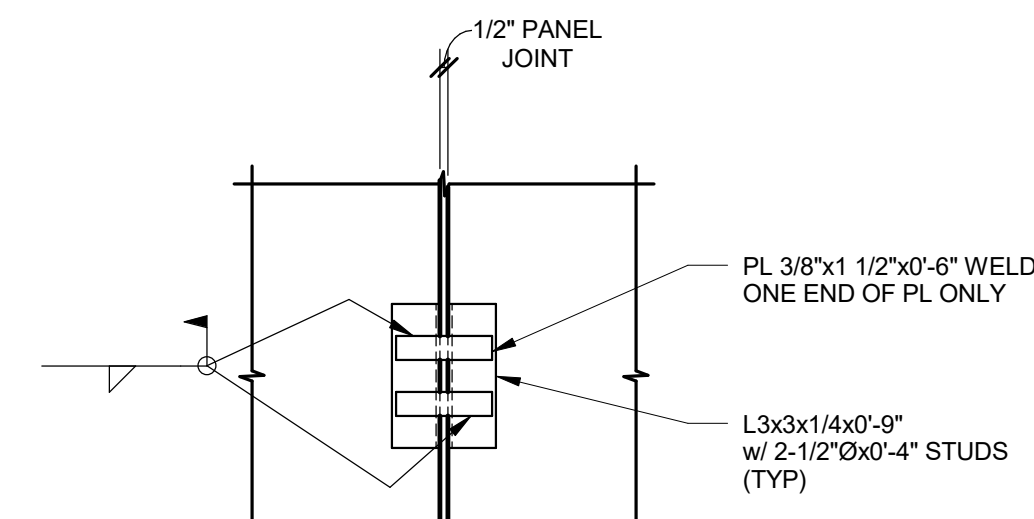
CIVIL ENGINEER  
Maverick Engineering  
1909 West Wall Street, Suite K  
Midland, TX 79701  
Andrew Melton 432-282-0999

OWNER  
Cinergy Cinemas & Entertainment  
5720 LBJ Freeway, Suite 625  
Dallas, TX 75240  
Jeffrey Benson 469-804-7475



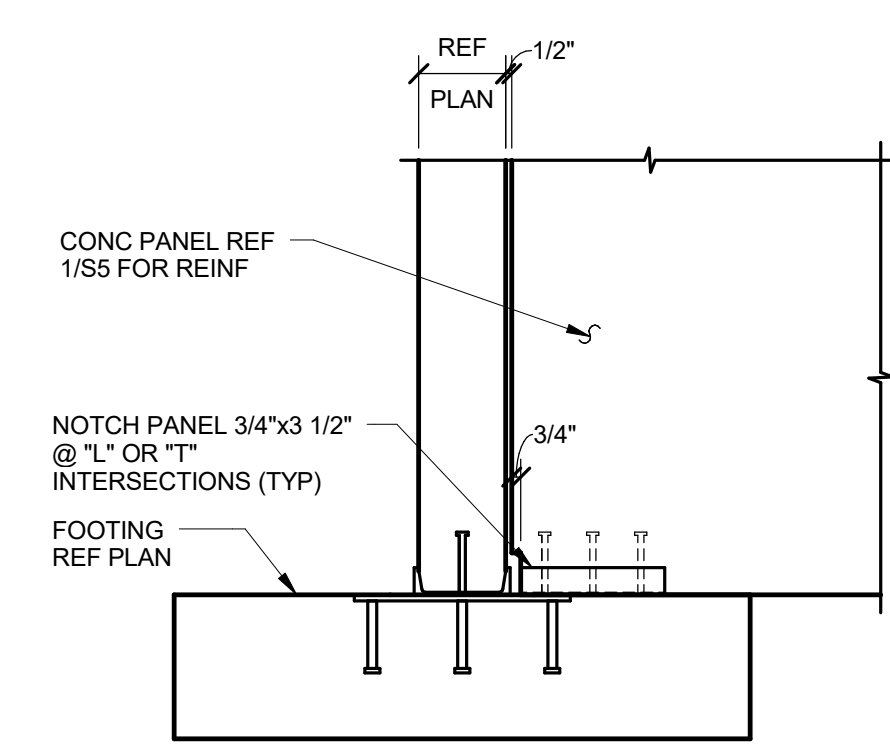
NOTE:  
ALL CONNECTIONS SHALL  
BE ON THE INSIDE FACE  
OF PANEL (3 LOCATIONS  
MIN PER JOINT)

1 PANEL CORNER CONNECTIONS  
3/4" = 1'-0"

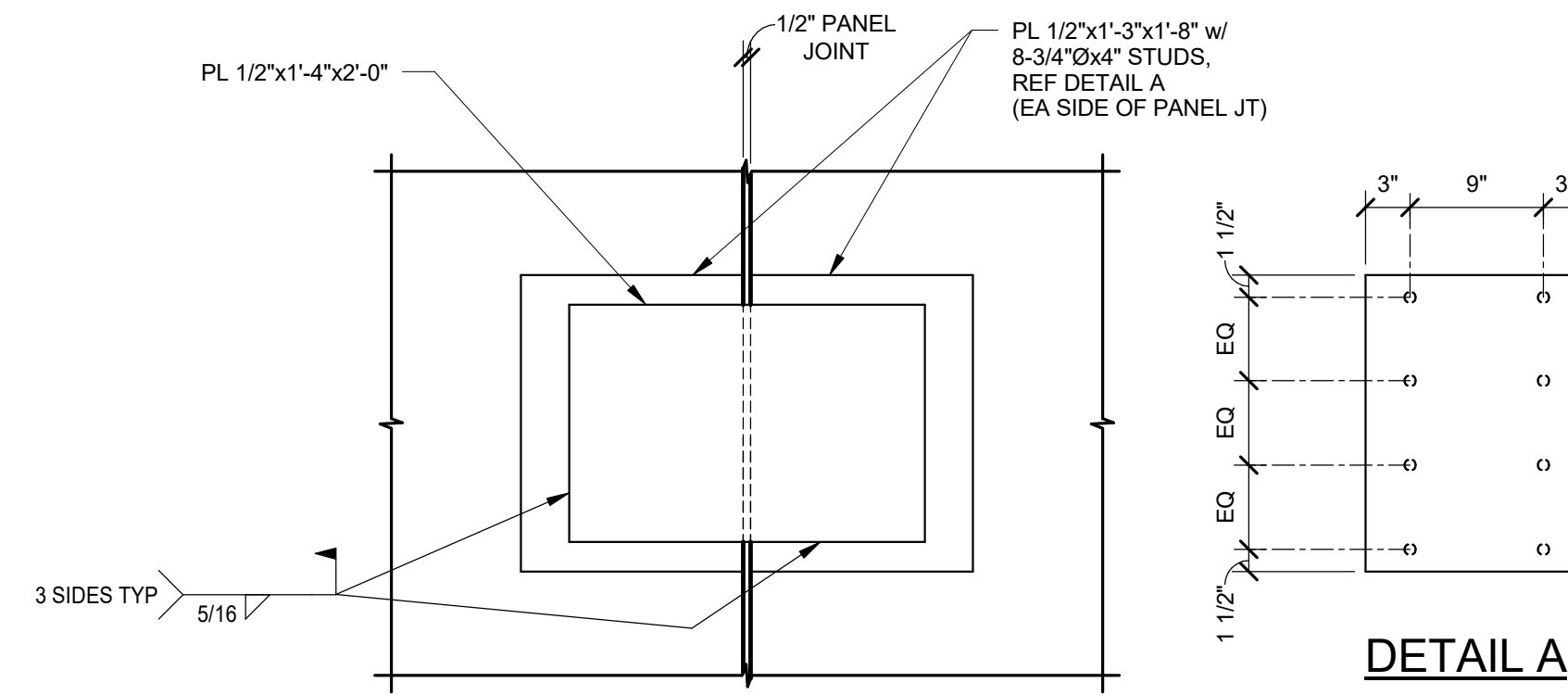


NOTE:  
ALIGNMENT PLATES  
ARE TO BE @  
3 LOCATIONS MIN

2 TYPICAL ALIGNMENT PLATES  
1" = 1'-0"

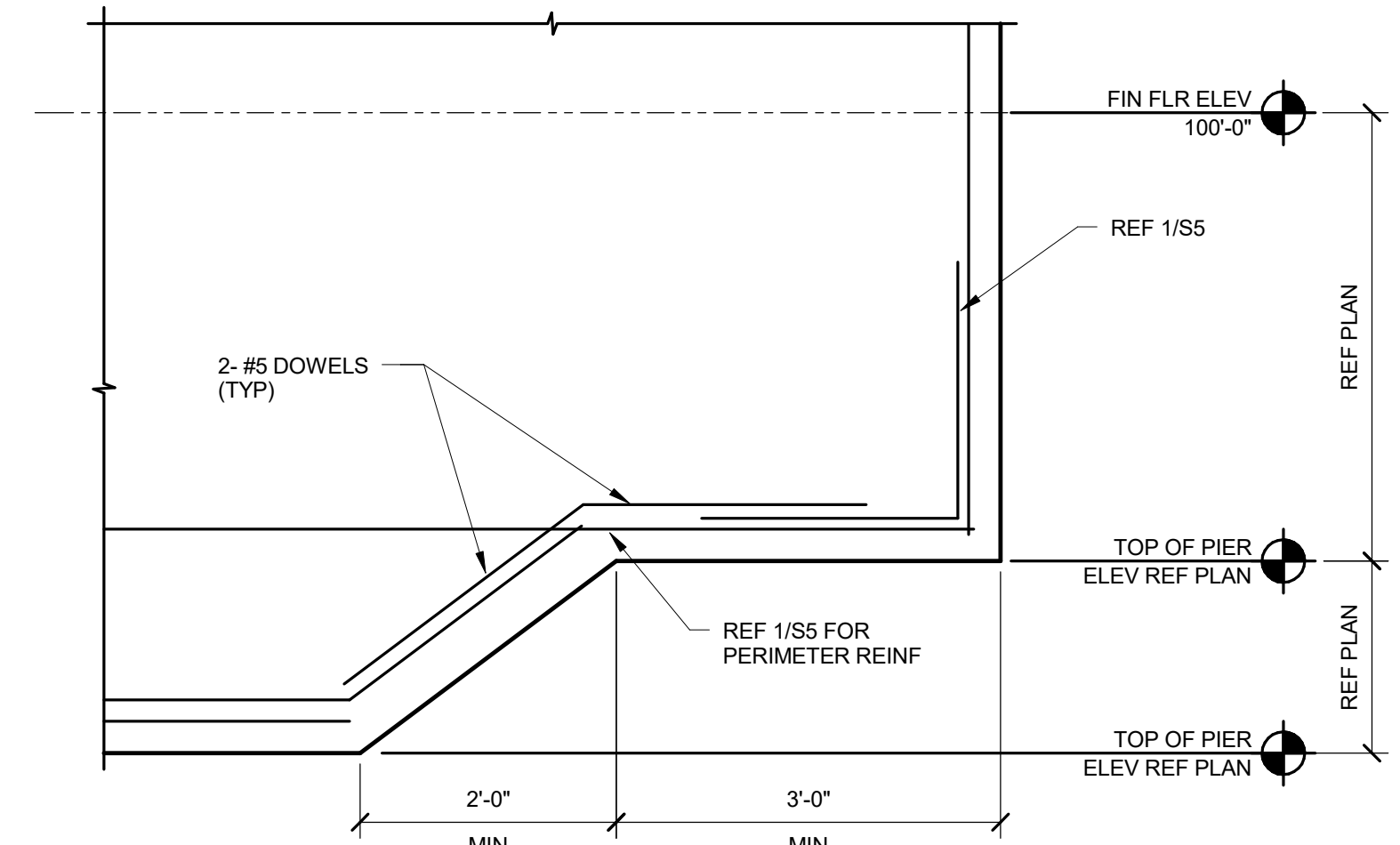


3 TYPICAL BASE NOTCH DETAIL  
3/4" = 1'-0"

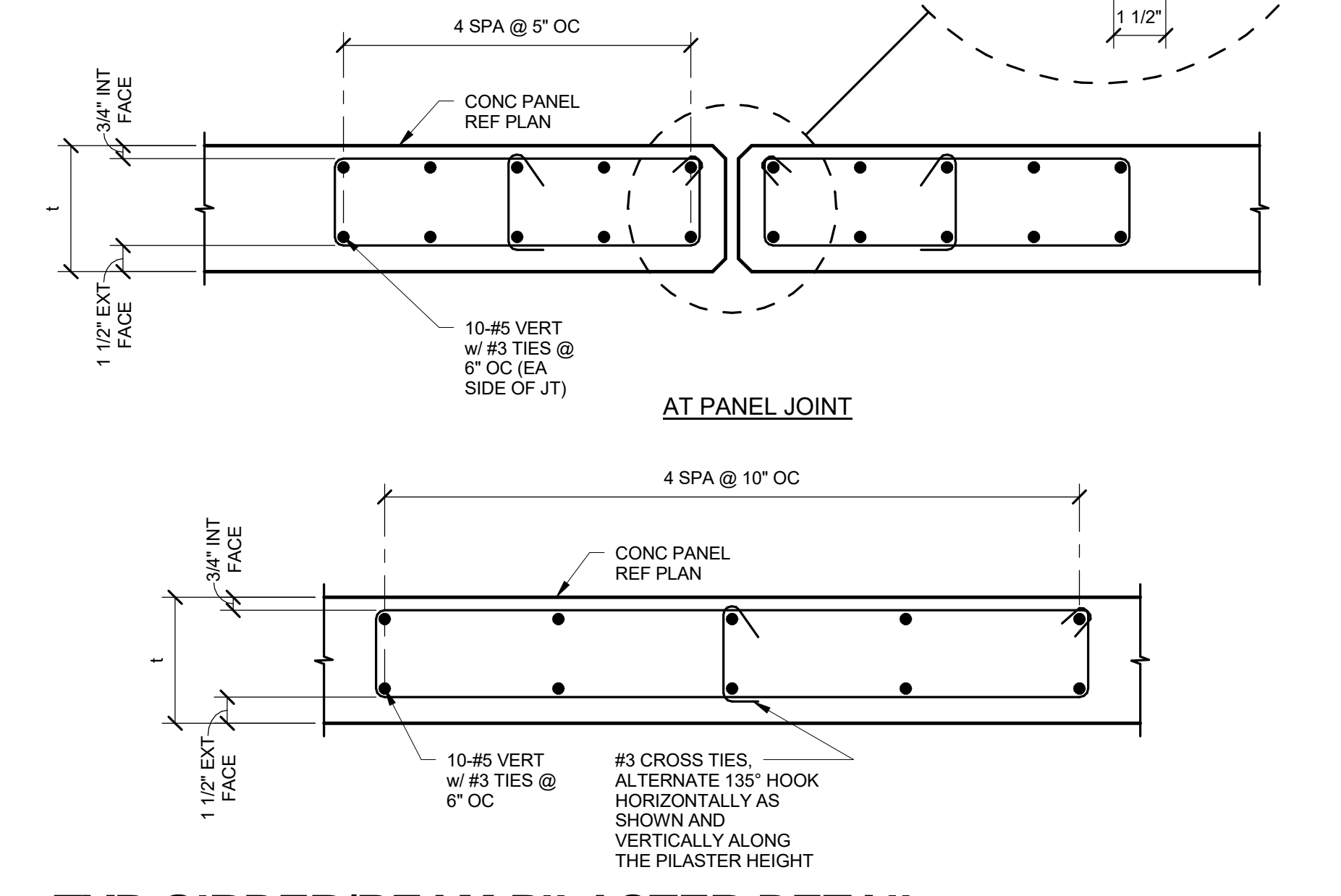


NOTES:  
1. ALL CONNECTIONS SHALL BE ON THE INSIDE FACE OF PANEL (3 LOCATIONS MIN PER PANEL JOINT).  
2. ALL WELDING TO BE PERFORMED SEQUENTIALLY TO PREVENT OVERHEATING OF EMBED PL.

4 TYPICAL SPANDREL CONN DETAIL  
1" = 1'-0"



5 TYPICAL PANEL STEP DETAIL  
3/4" = 1'-0"



6 TYP GIRDER/BEAM PILASTER DETAIL  
1 1/2" = 1'-0"

06-12-2017



PROJECT NO: 15284 TX REG#0243  
HUNT & JOINER, INC.  
Consulting Structural Engineers

REV.	DATE	ISSUE TITLE
	05-24-17	ISSUE FOR BID

CINERGY AMARILLO

PANEL ELEVATIONS

XXXXX PROJECT NUMBER **S5.1** SHEET NUMBER