

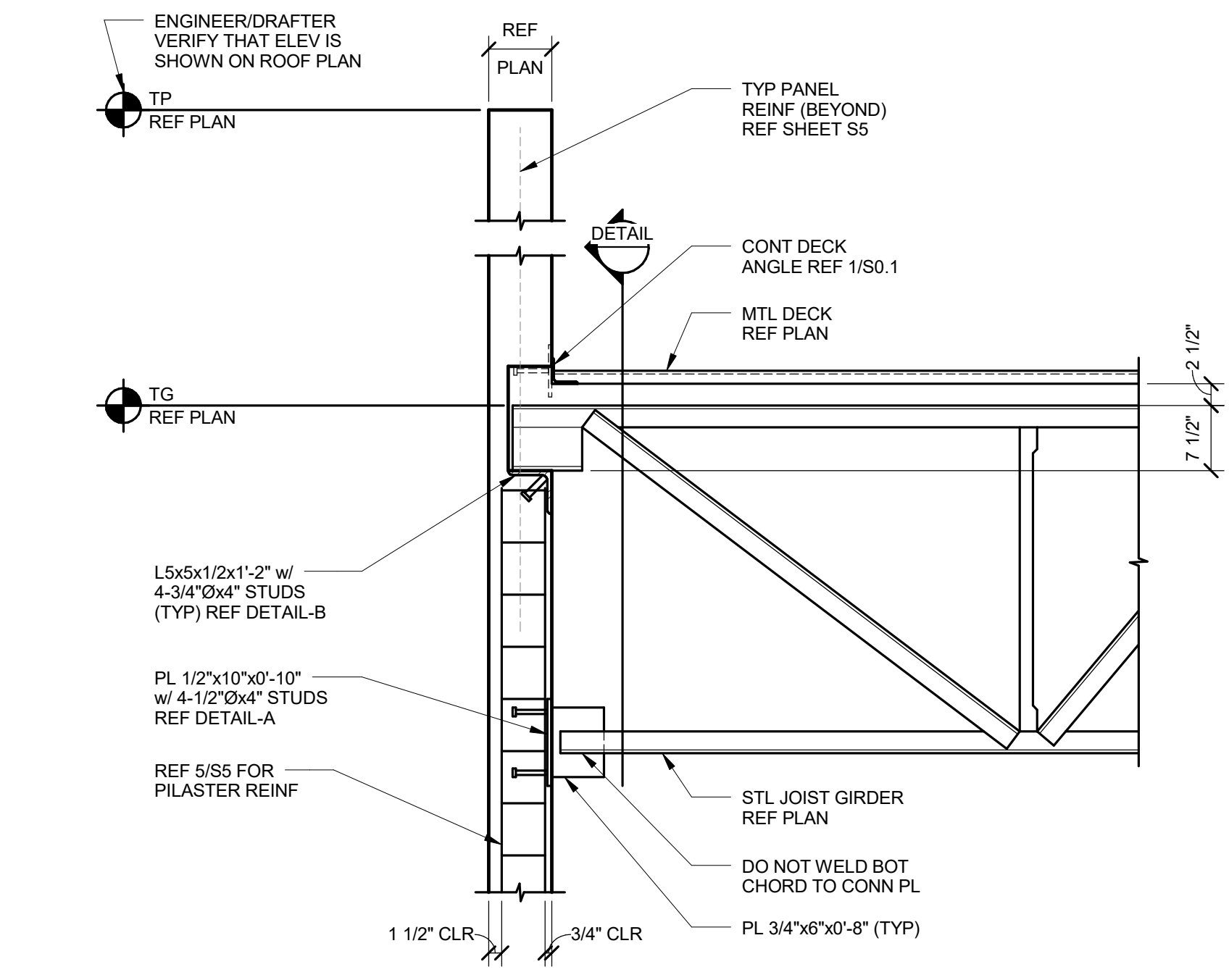
ARCHITECT
SG Studio Collaborative, LLC.
800 Jackson St., Suite 500
Dallas, TX 75202
Ian Means 214-646-1508

STRUCTURAL ENGINEER
Hunt & Joiner, Inc.
1120 Capital of Texas Highway Suite 120
Austin, TX 78746
Colin Edwards 512-358-8788

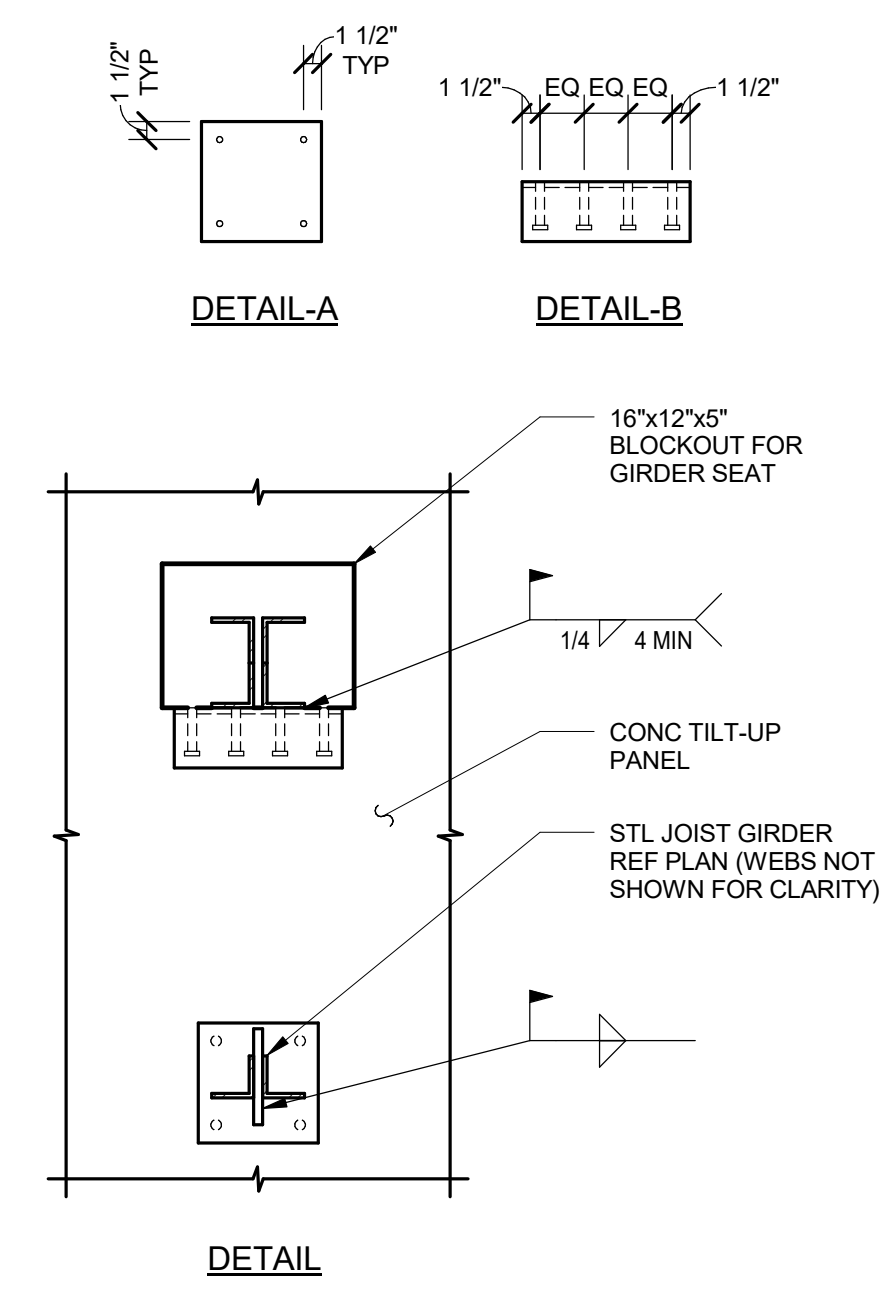
MEP ENGINEER
Envirodesign
900 Ranch Road 620 South, Suite C101-301
Austin, TX 78734
Sam Patton 512-693-9015

CIVIL ENGINEER
Maverick Engineering
1909 West Wall Street, Suite K
Midland, TX 79701
Andrew Melton 432-262-0999

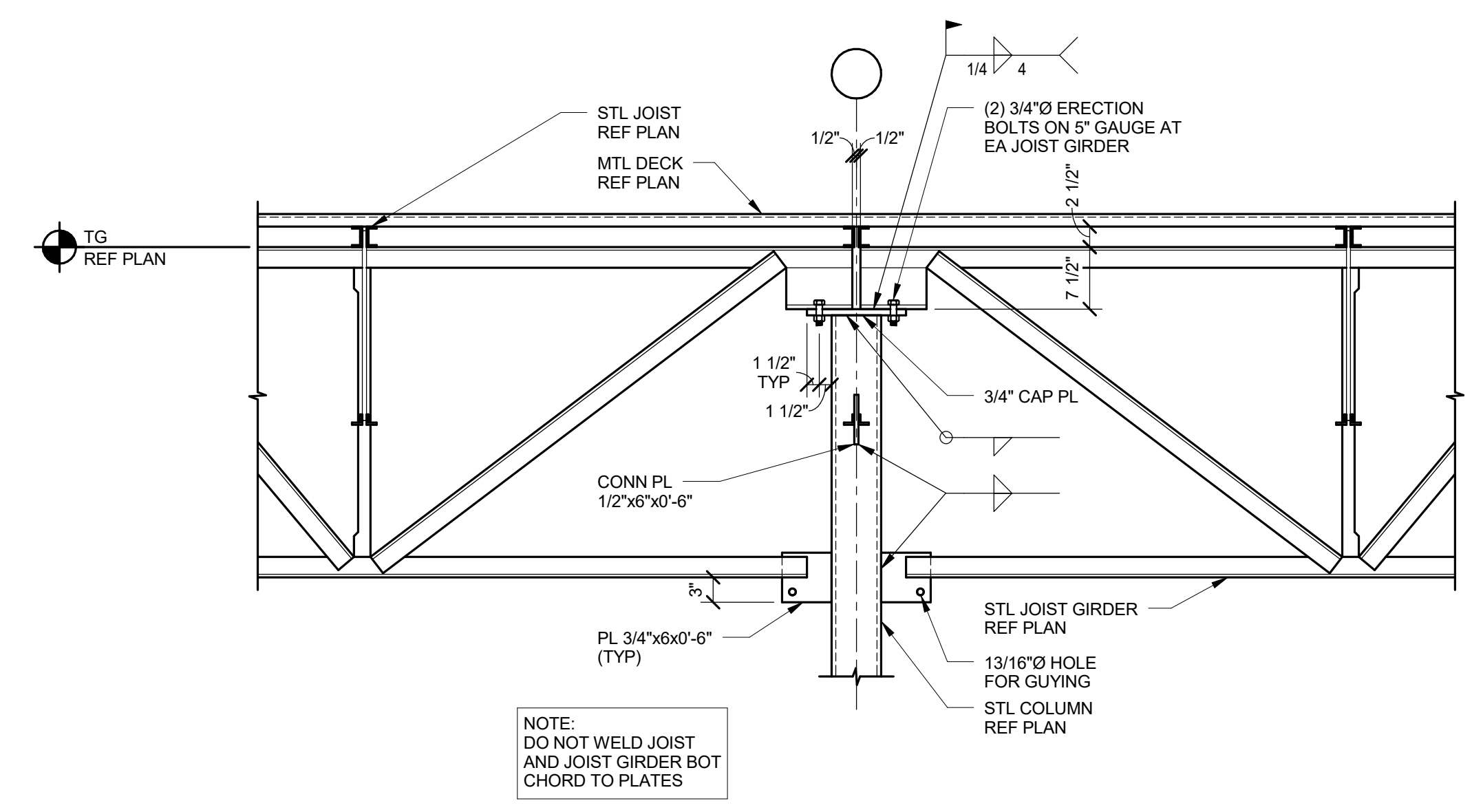
OWNER
Cineray Cinemas & Entertainment
5720 LBJ Freeway, Suite 625
Dallas, TX 75240
Jeffrey Benson 469-804-7475



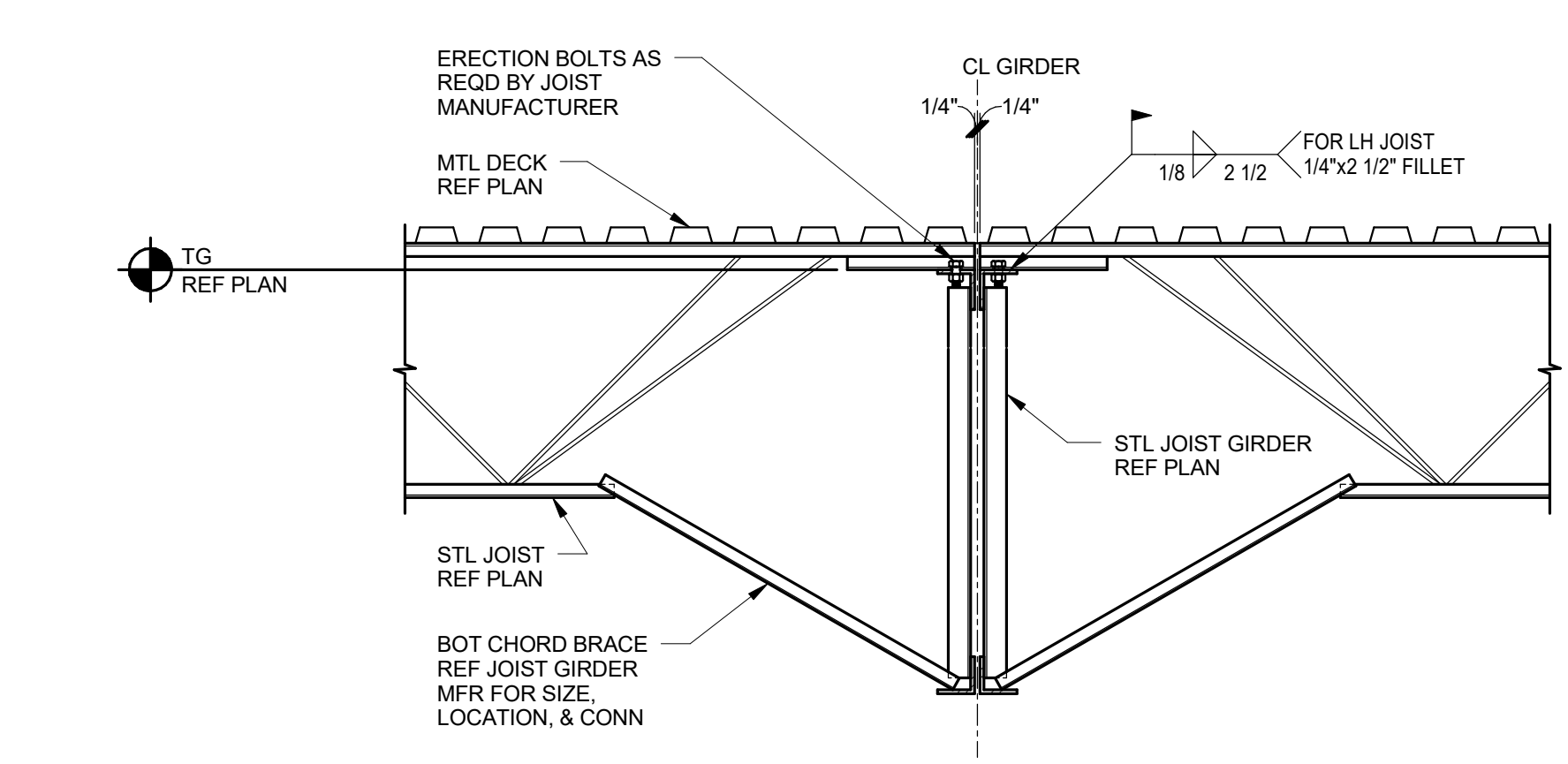
1 JOIST GIRDER BEARING SECTION
3/4" = 1'-0"



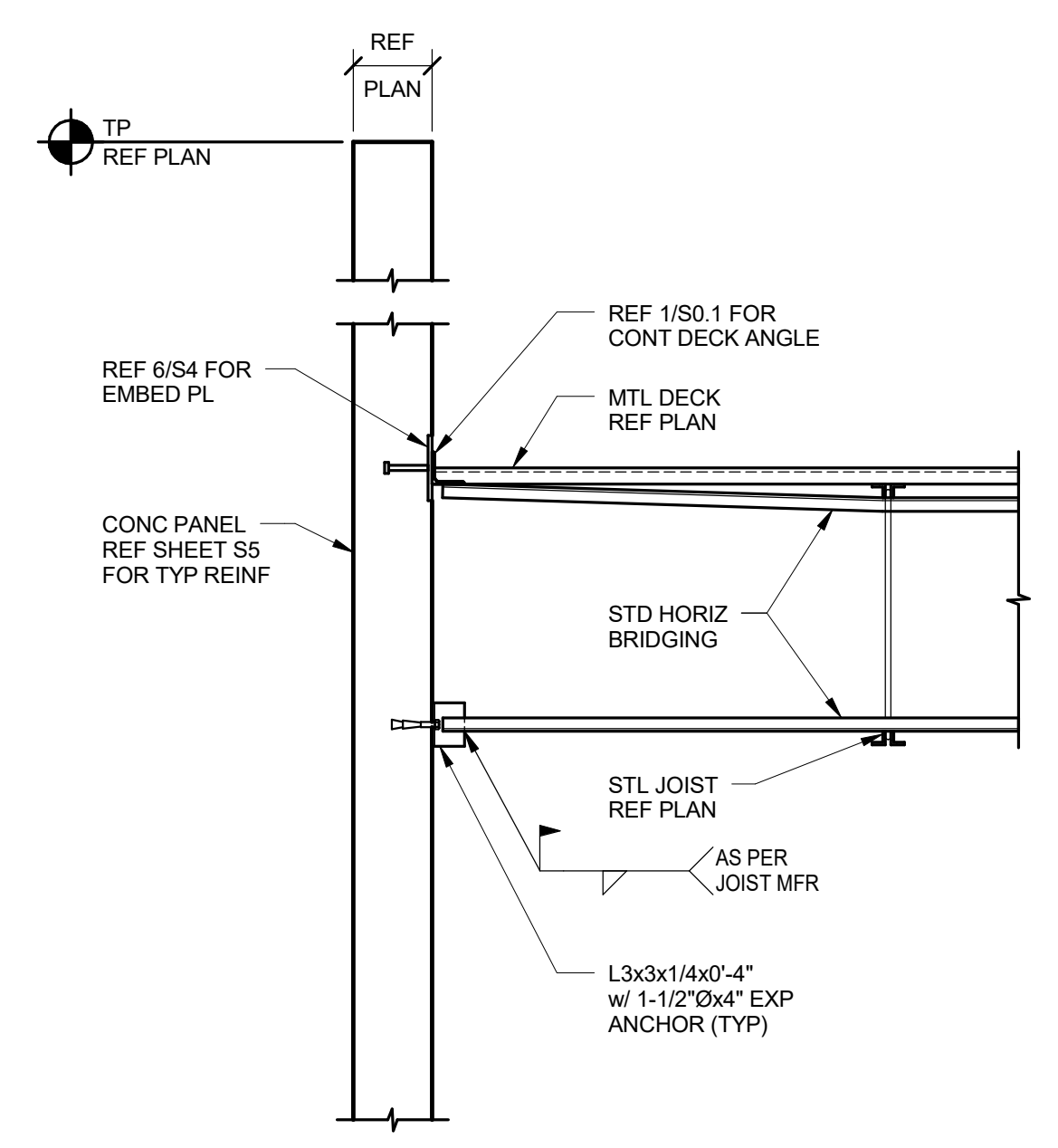
2 JOIST GIRDER / COLUMN CONN SECTION
3/4" = 1'-0"



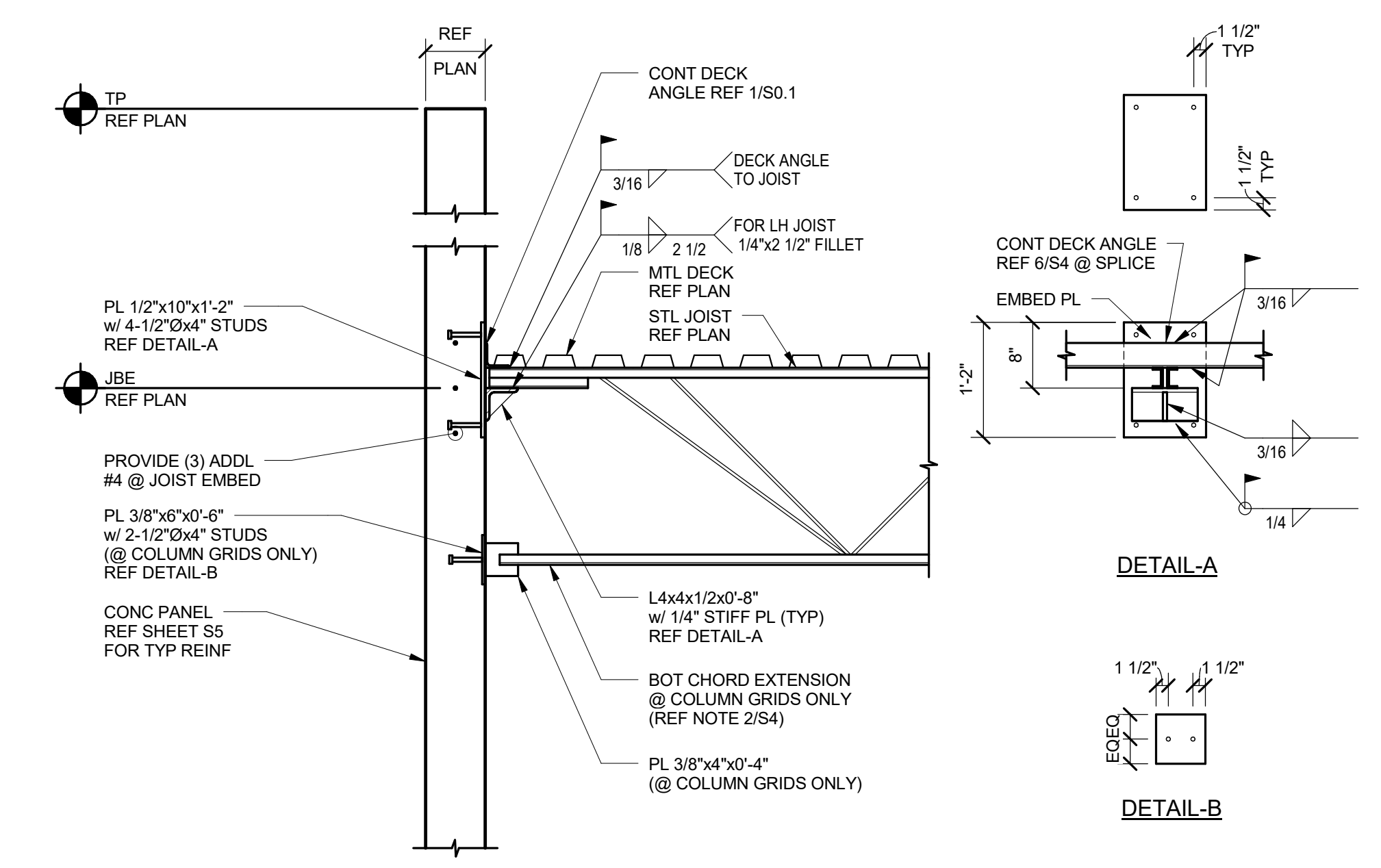
NOTE:
DO NOT WELD JOIST AND JOIST GIRDER BOT CHORD TO PLATES



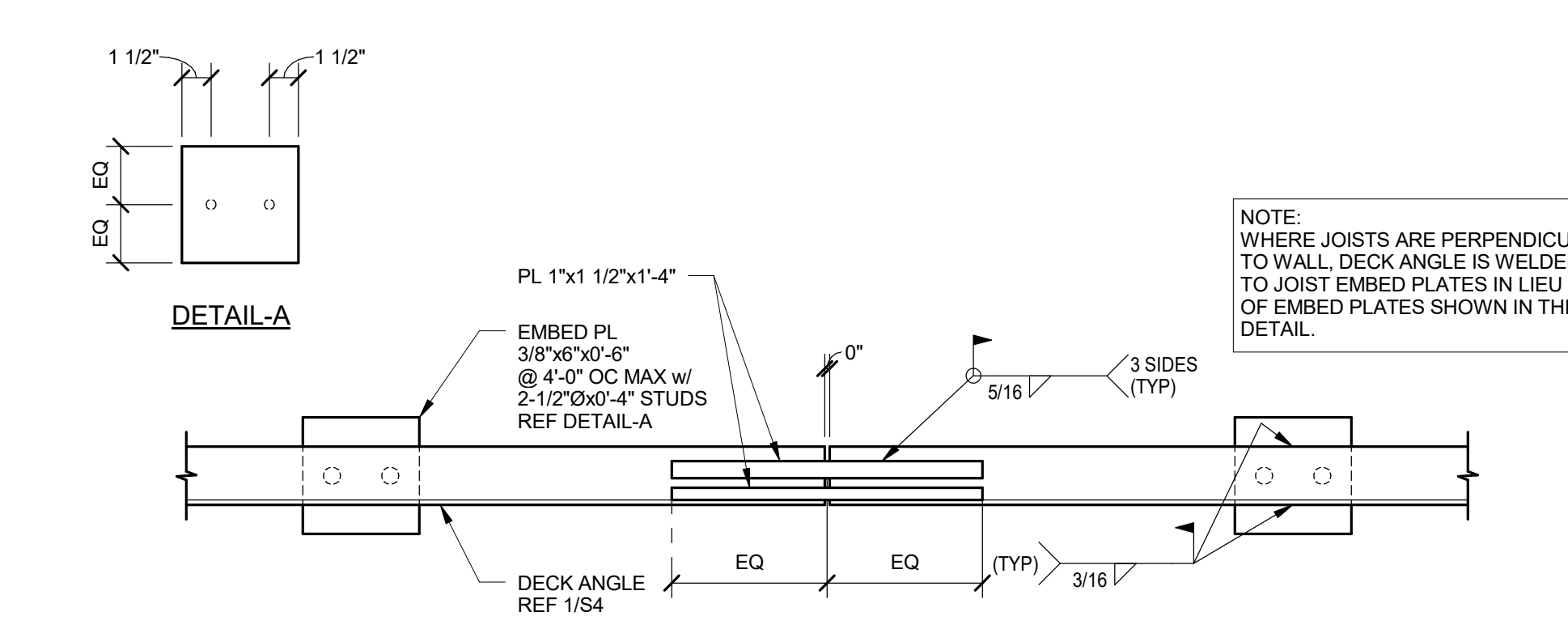
3 JOIST / JOIST GIRDER CONN SECTION
3/4" = 1'-0"



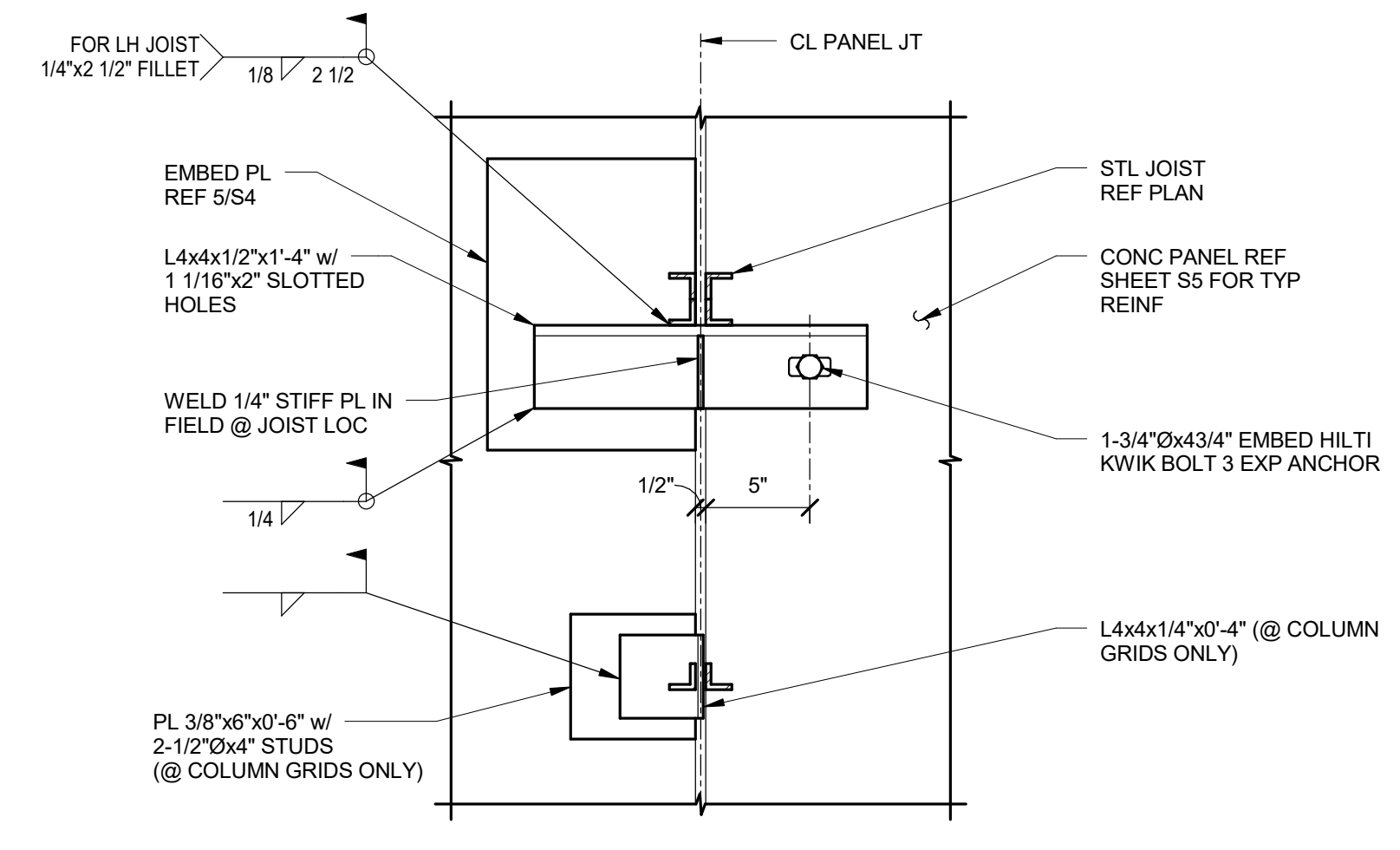
4 BRIDGING CONNECTION SECTION
3/4" = 1'-0"



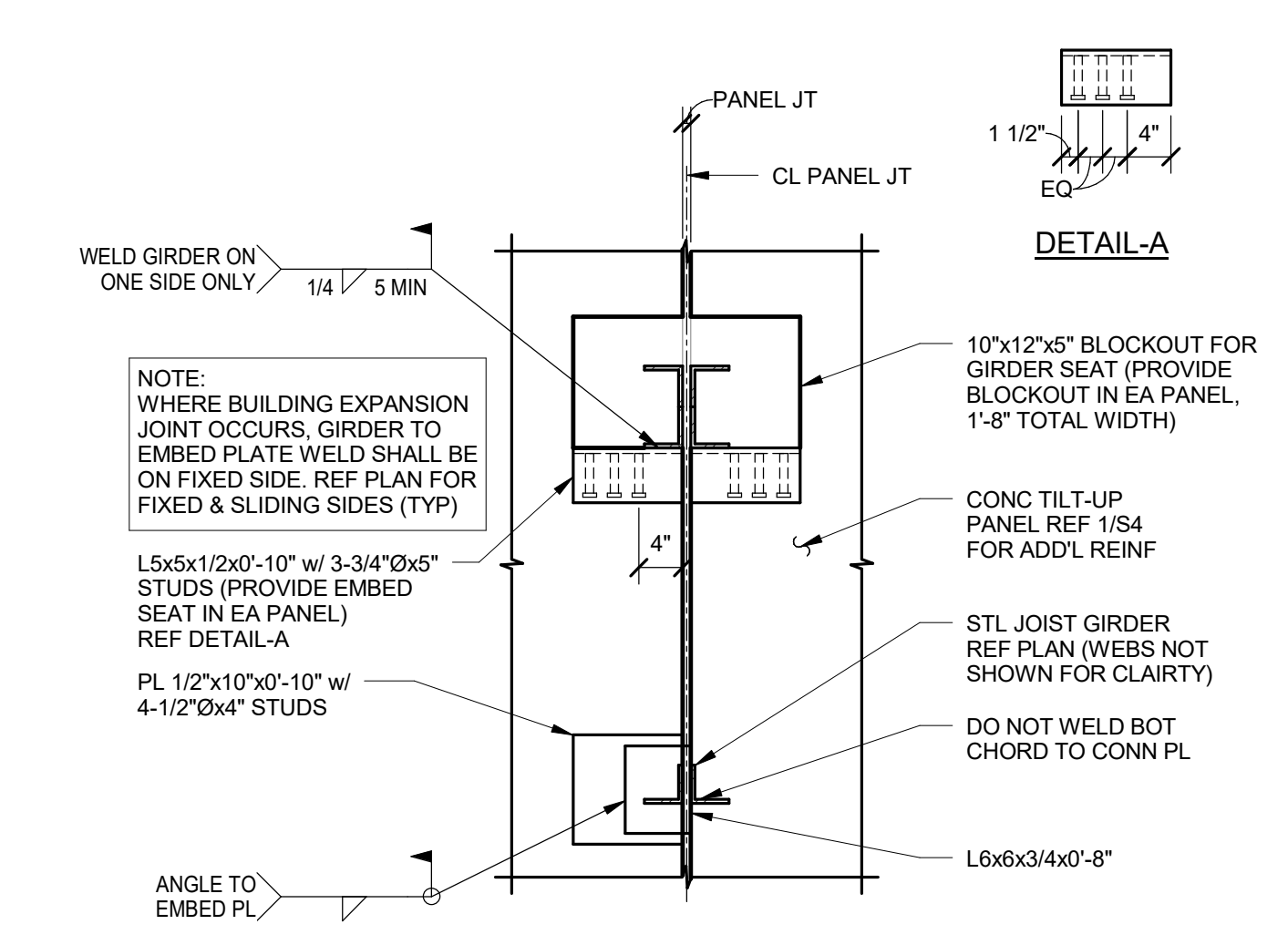
5 JOIST BEARING SECTION
3/4" = 1'-0"



6 CONTINUOUS DECK ANGLE DETAIL
1 1/2" = 1'-0"

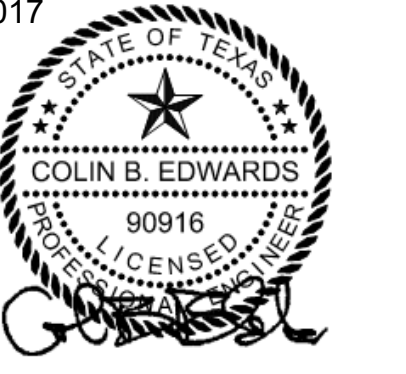


7 JOIST BEARING @ PANEL JOINT DETAIL
1 1/2" = 1'-0"



8 GIRDER AT PANEL JOINT DETAIL
3/4" = 1'-0"

06-12-2017



HUNT & JOINER, INC. Consulting Structural Engineers

REV.	DATE	ISSUE TITLE
	05-24-17	ISSUE FOR BID

CINERAY AMARILLO

ROOF FRAMING SECTIONS

XXXXX PROJECT NUMBER **S4** SHEET NUMBER