



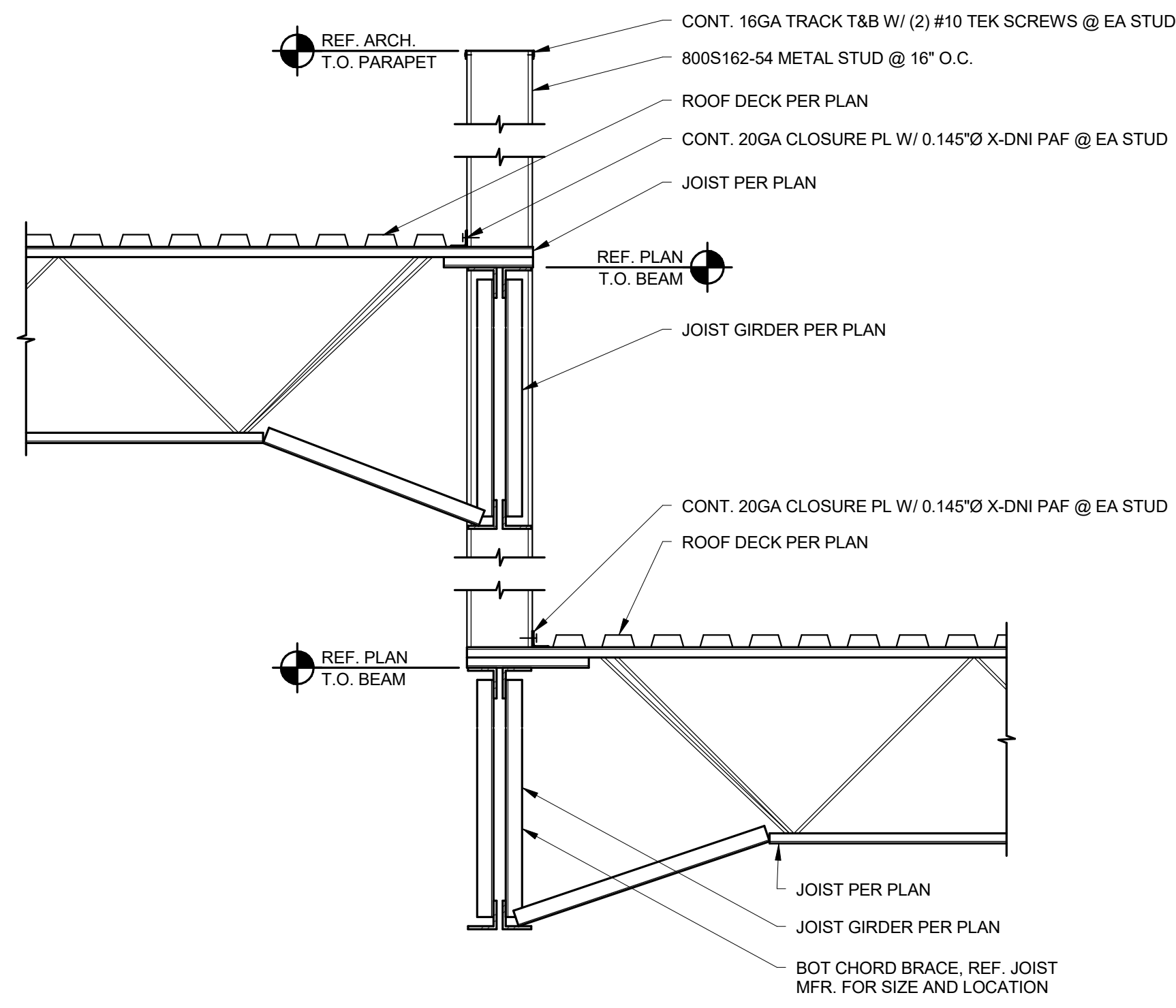
ARCHITECT
5G Studio Collaborative, LLC.
800 Jackson St., Suite 500
Dallas, TX 75202
Ian Meiers 214-646-1508

STRUCTURAL ENGINEER
Hunt & Joiner, Inc.
1120 Capital of Texas Highway Suite 120
Austin, TX 78746
Colin Edwards 512-358-8788

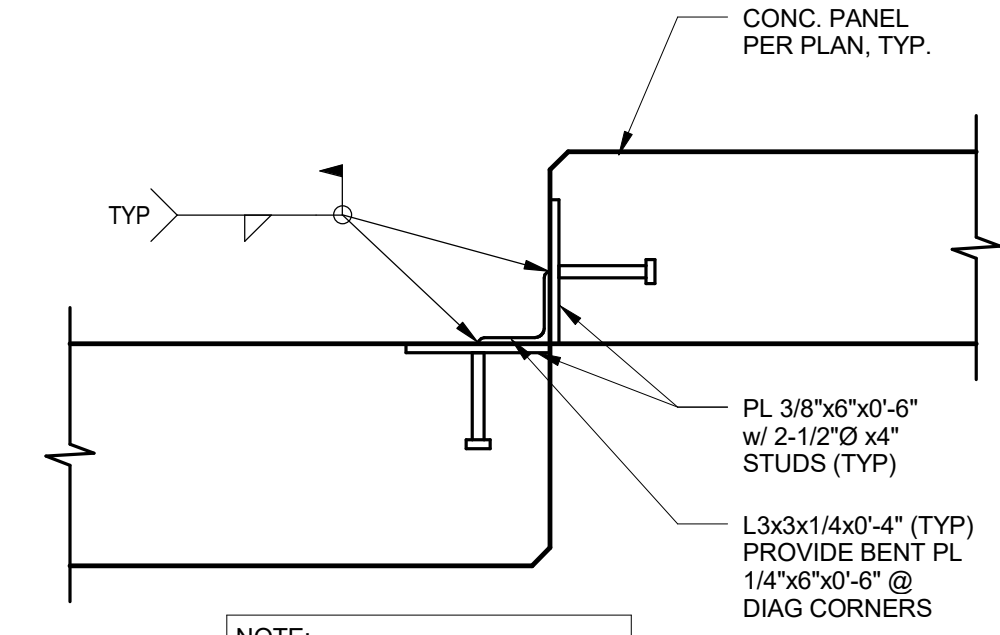
MEP ENGINEER
Envirodesign
900 Ranch Road 620 South, Suite C101-301
Austin, TX 78734
Stam Patten 512-693-9015

CIVIL ENGINEER
Maverick Engineering
1909 West Wall Street, Suite K
Midland, TX 79701
Andrew Melton 432-262-0999

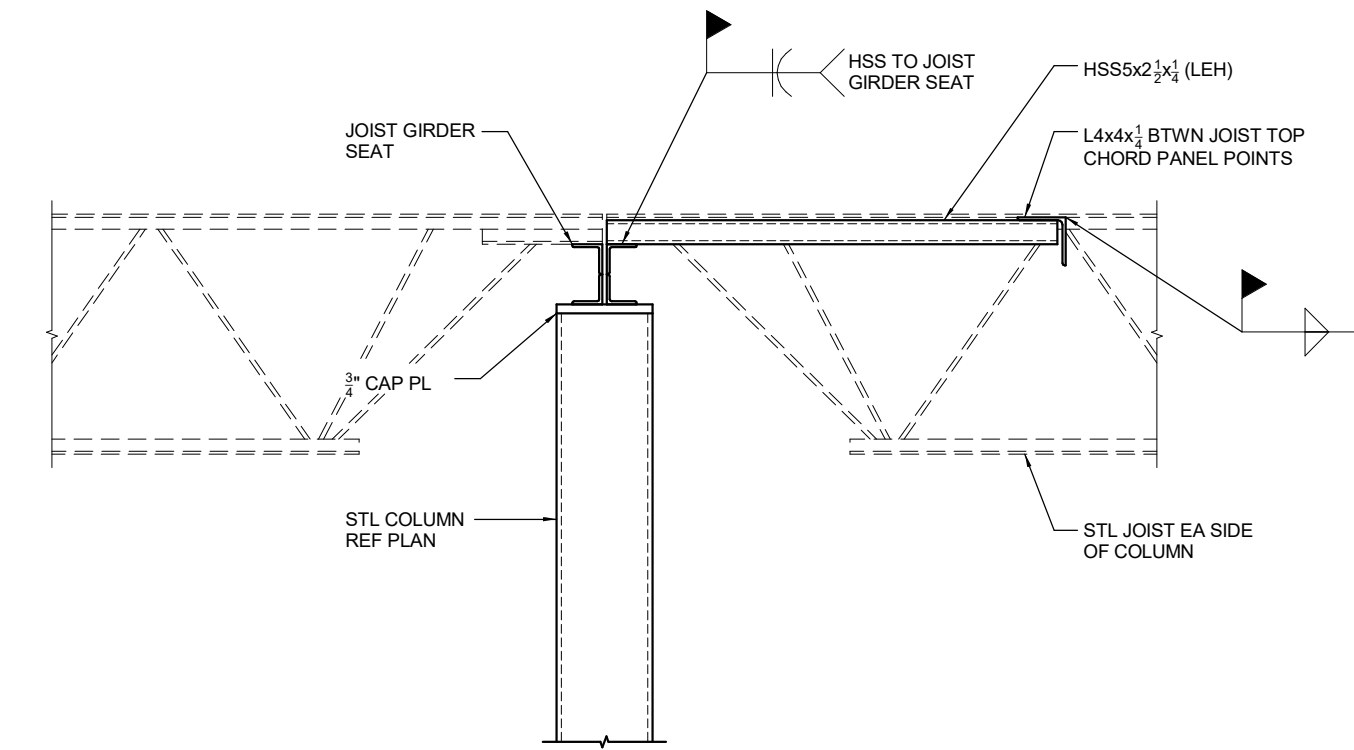
OWNER
Cinergy Cinemas & Entertainment
5720 LBJ Freeway, Suite 625
Dallas, TX 75240
Jeffrey Benson 469-804-7475



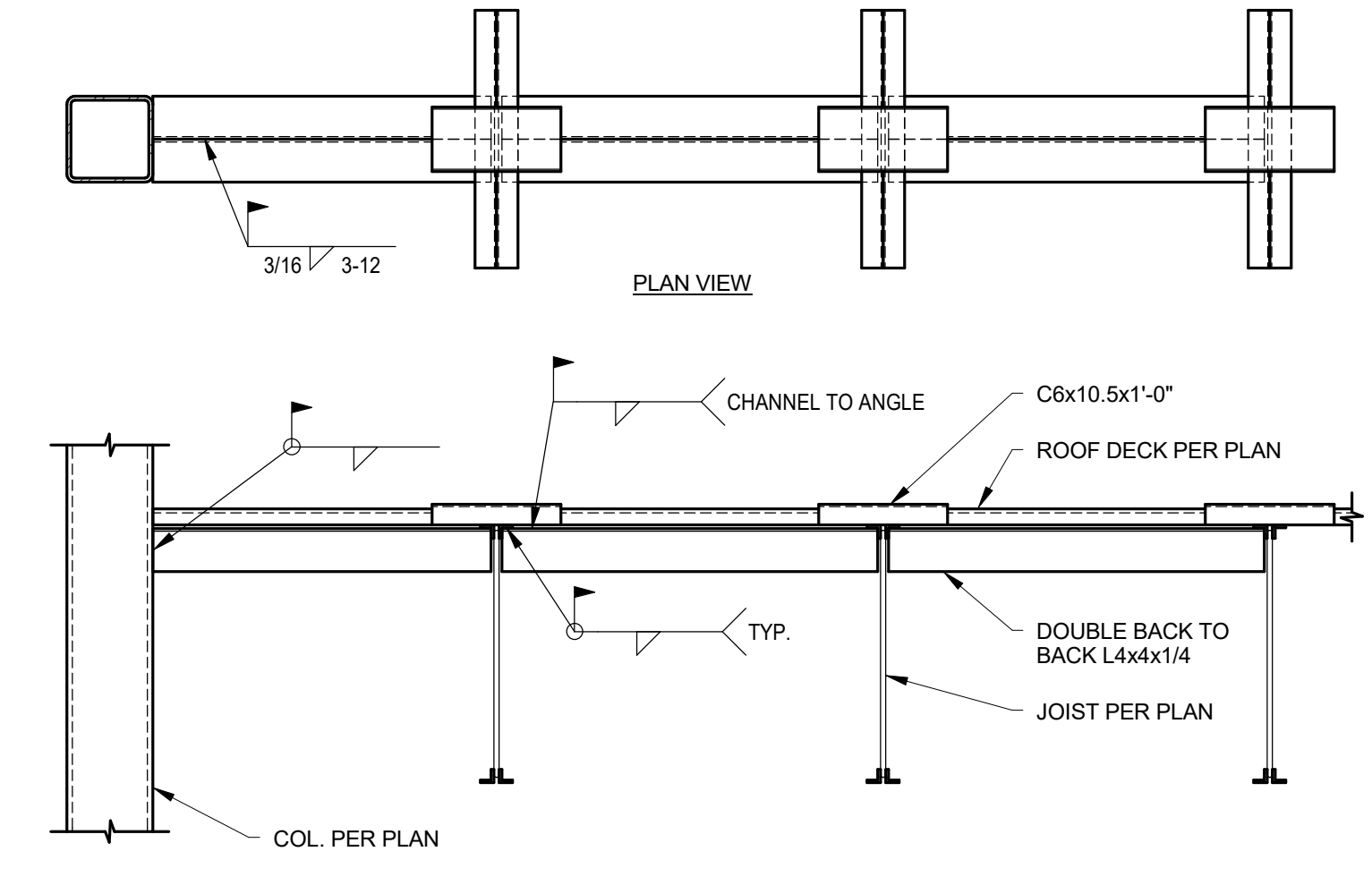
1 SECTION AT PONY WALL
3/4" = 1'-0"



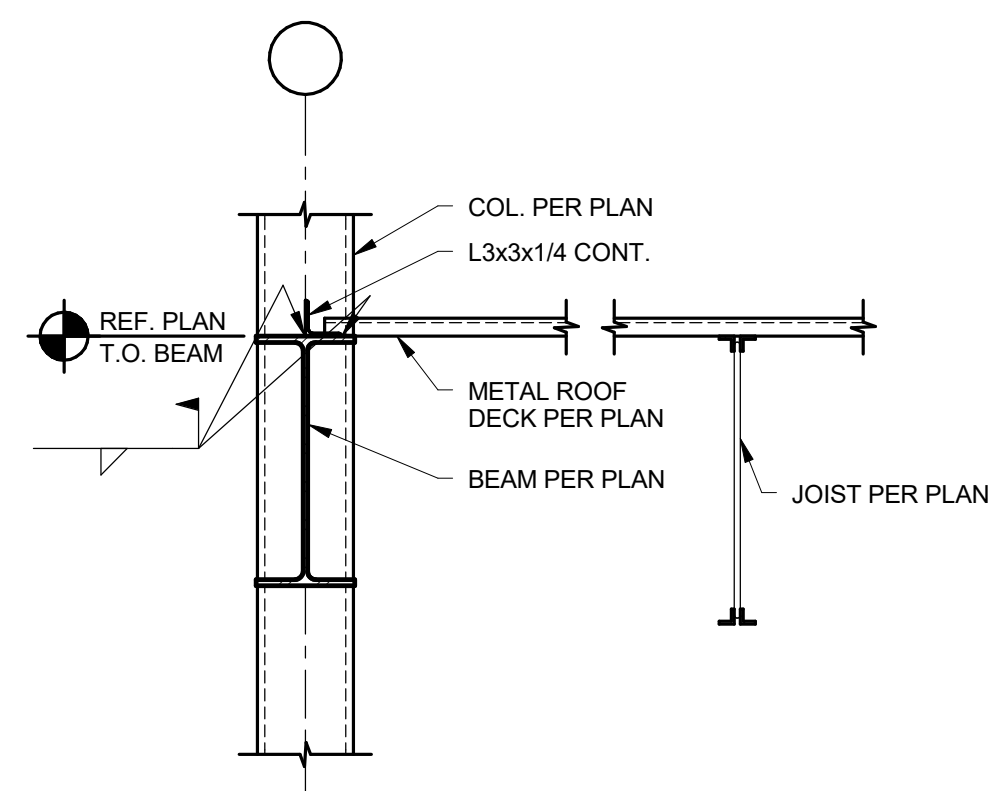
2 PANEL STEP DETAIL
1 1/2" = 1'-0"



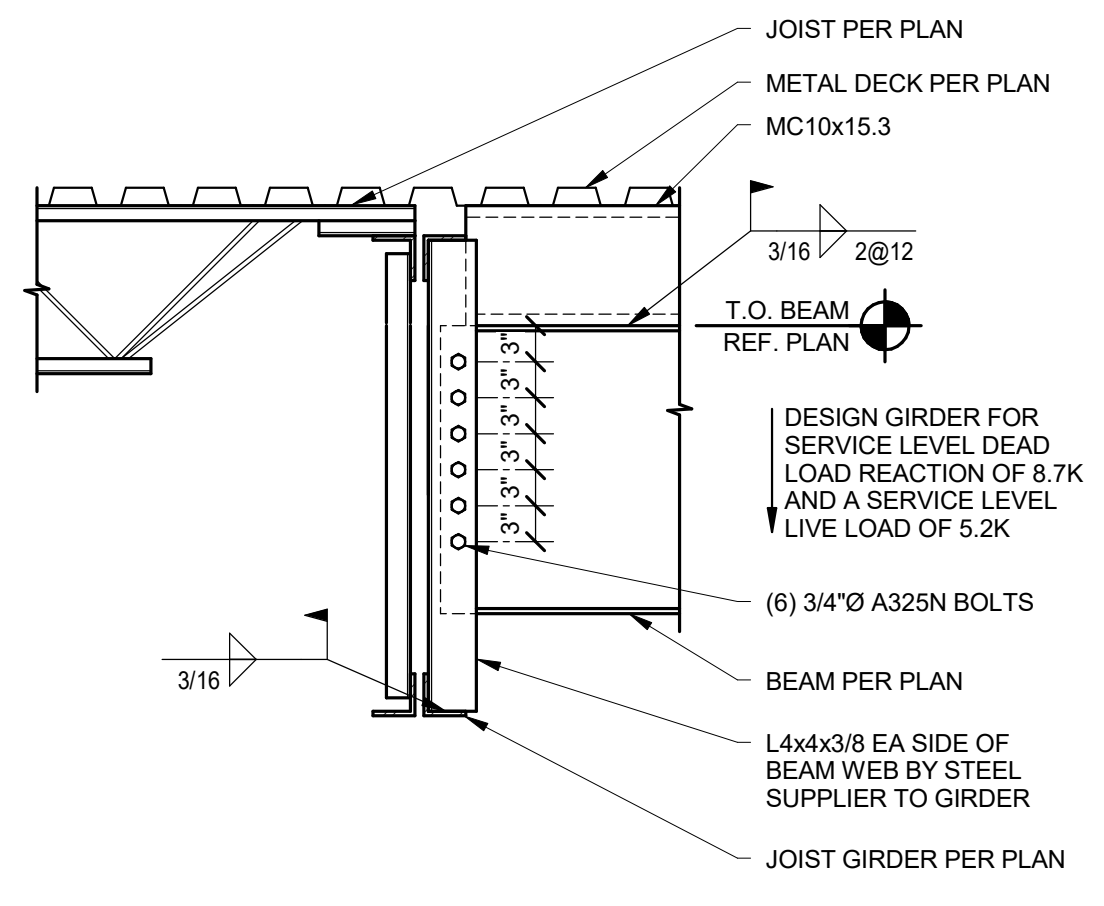
3 COLUMN BRACE
3/4" = 1'-0"



4 COLUMN BRACE
3/4" = 1'-0"



5 LOW ROOF SECTION
3/4" = 1'-0"



6 SECTION AT BEAM CONNECTION
3/4" = 1'-0"

06-12-2017



PROJECT NO. 15284 TX REG#0243
HUNT & JOINER, INC.
Consulting Structural Engineers

REV.	DATE	ISSUE TITLE
	05-24-17	ISSUE FOR BID

CINERGY AMARILLO

ROOF FRAMING
SECTIONS

XXXXX PROJECT NUMBER **S4.1** SHEET NUMBER