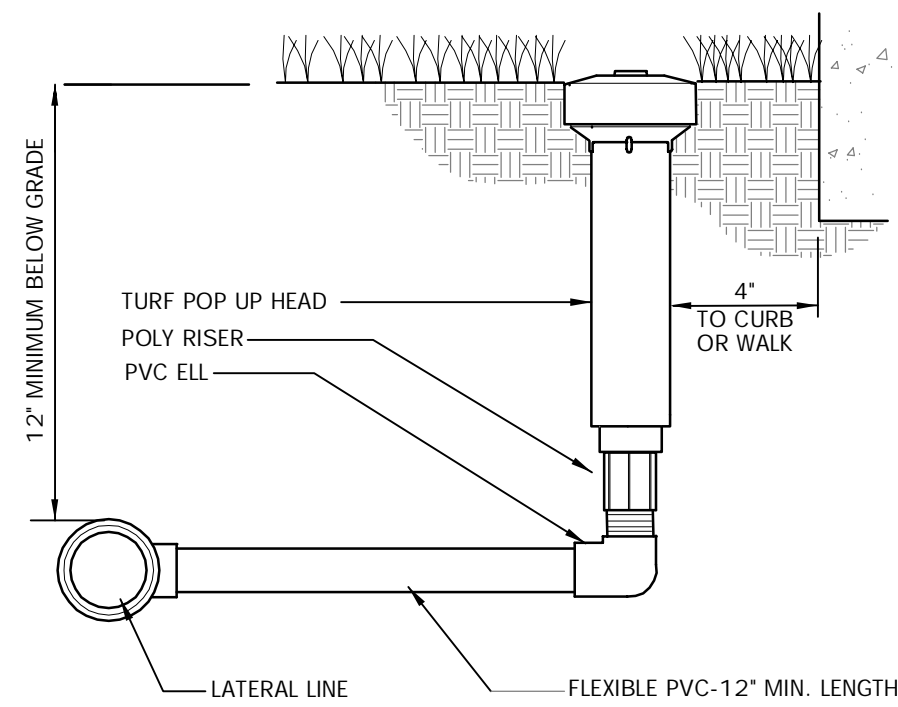
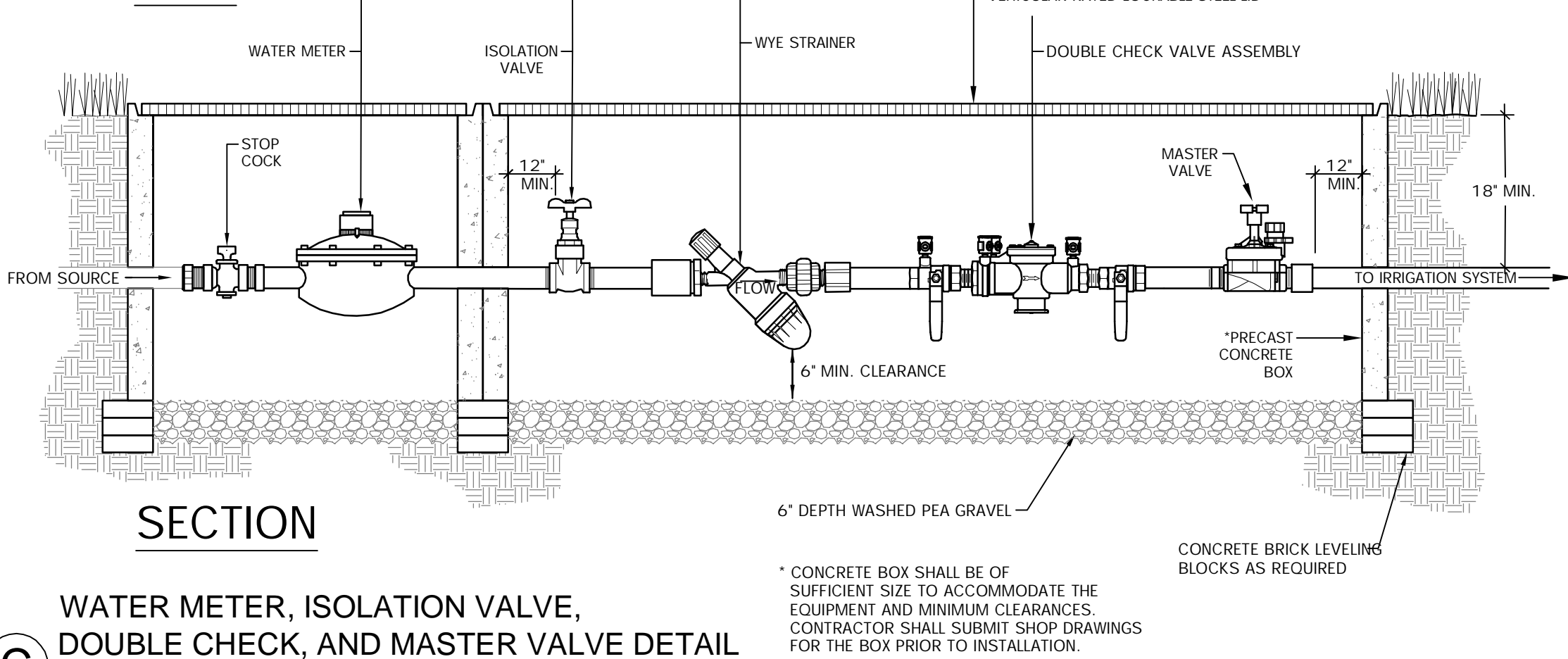
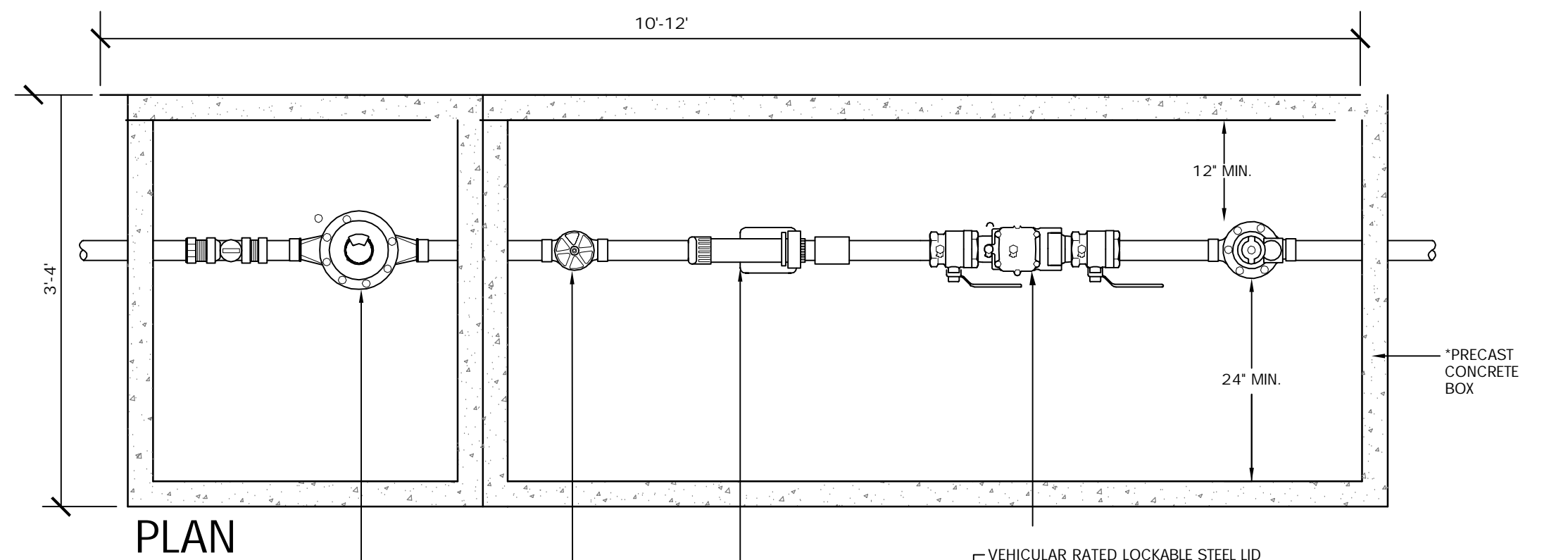


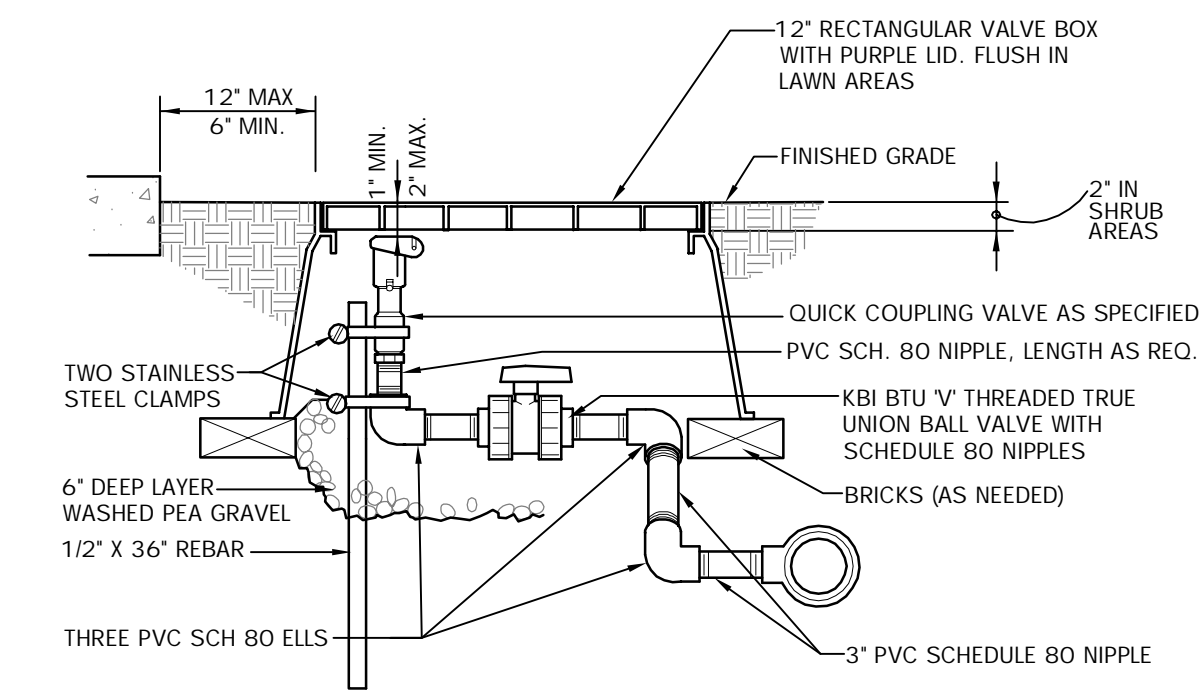
A WALL MOUNT CONTROLLER
NTS



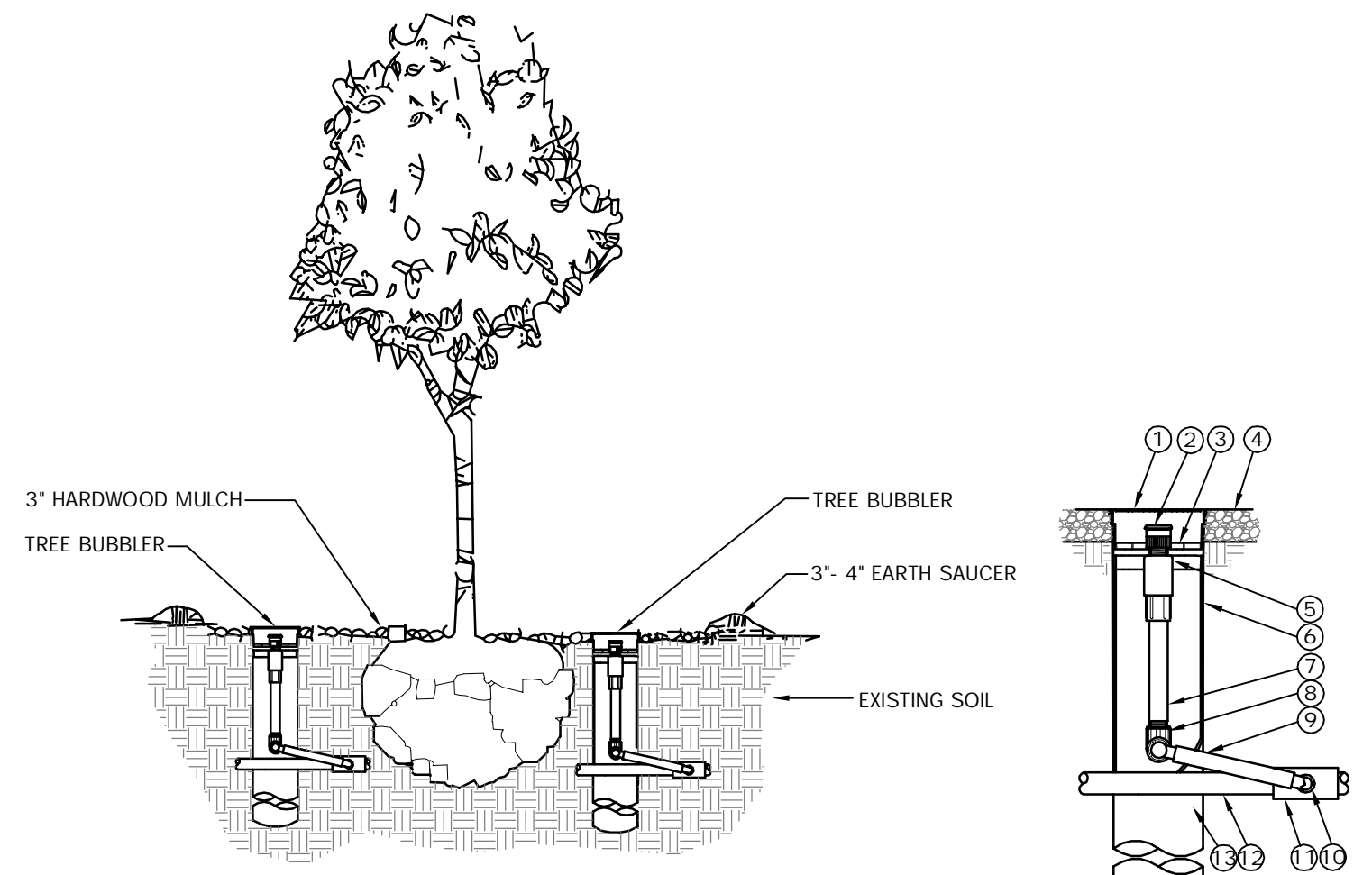
B POP -UP SPRAY HEAD
NTS



C WATER METER, ISOLATION VALVE, DOUBLE CHECK, AND MASTER VALVE DETAIL
NTS



D QUICK COUPLING VALVE IN BOX
NTS

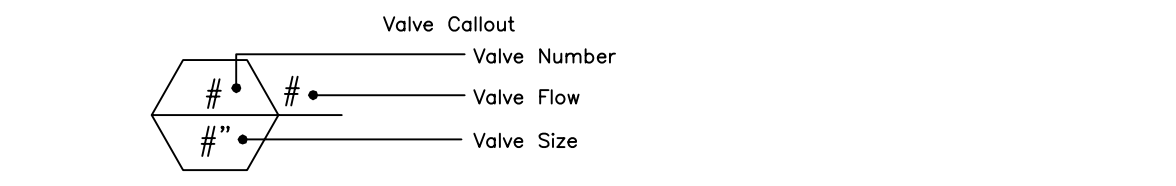


E ROOT WATERING SYSTEM - TREE BUBBLER
NTS

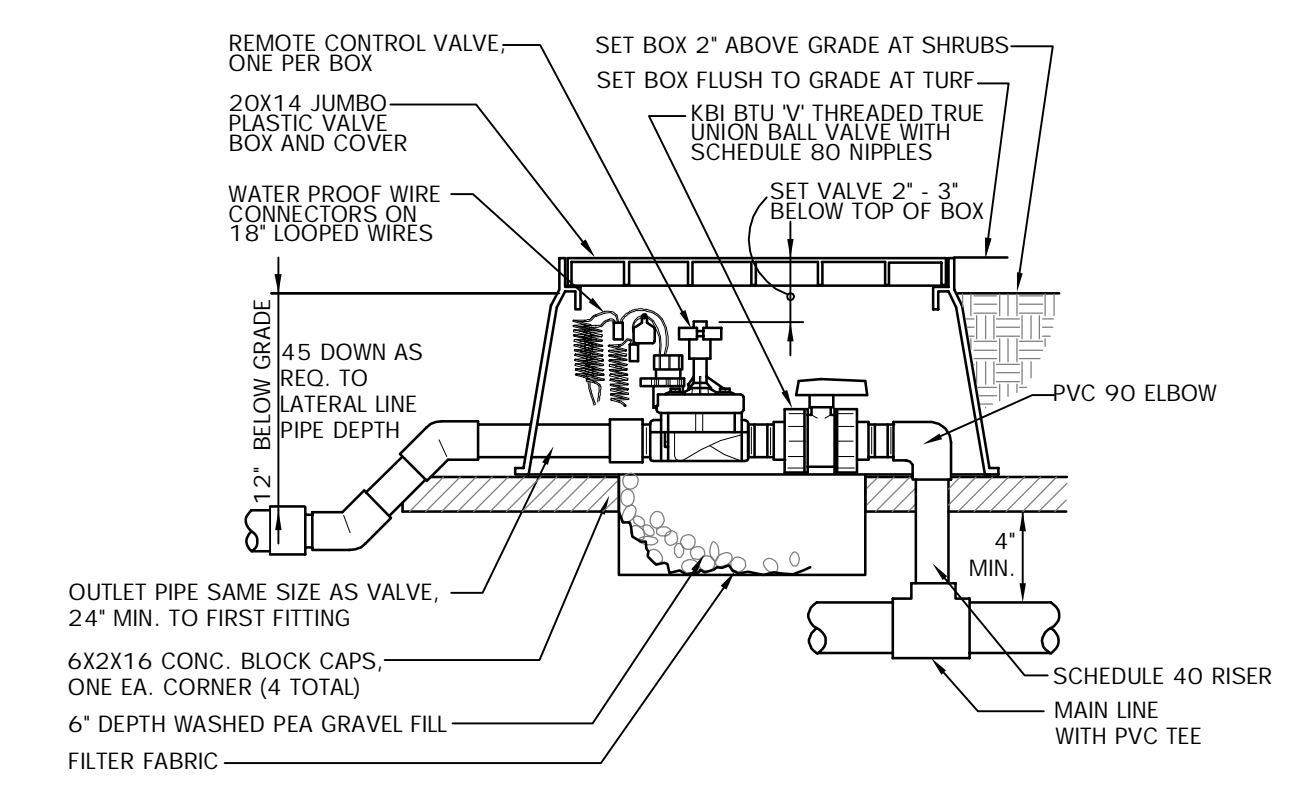
- ① 4-INCH GRATE (INCLUDED)
- ② BUBBLER: RAIN BIRD 1401 0.25 GPM (INCLUDED)
- ③ ROOT WATERING SYSTEM: RAIN BIRD RWS-BCG (INCLUDES 1401 0.25 GPM BUBBLER WITH RISER, CHECK VALVE, GRATE, SWING ASSEMBLY, 1/2\"/>

IRRIGATION SCHEDULE

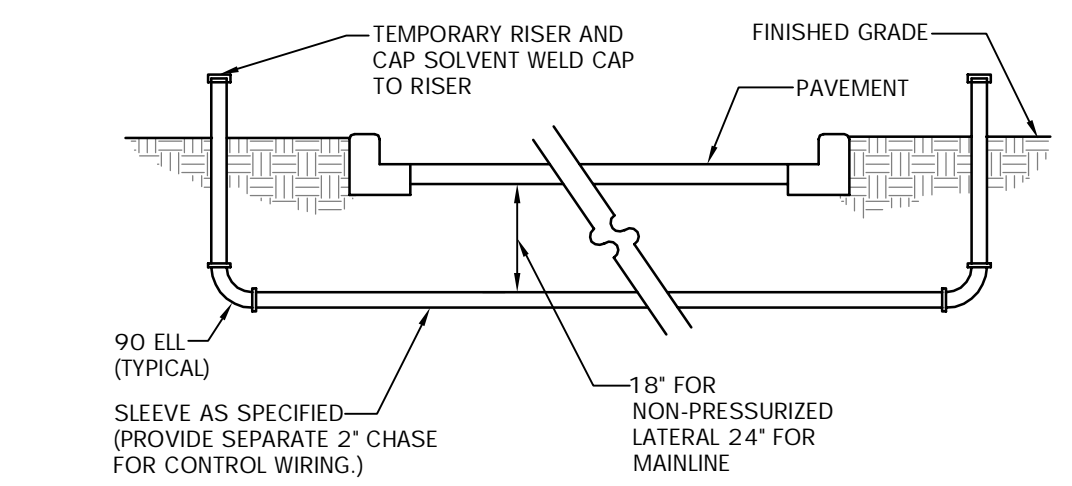
SYMBOL	MANUFACTURER/MODEL/DESCRIPTION
⊙ ⊙ ⊙ ⊙ ⊙ ⊙ ⊙ ⊙ ⊙ ⊙ 60 Q T 150 H 210 TT TO F	TORO O-T-570Z-4P-COM 12 SERIES TURF SPRAY, 4\"/>
⊙ ⊙ ⊙ ⊙ ⊙ ⊙ ⊙ ⊙ ⊙ ⊙ 60 Q T 150 H 210 TT TO F	TORO O-T-570Z-4P-COM 15 SERIES TURF SPRAY, 4\"/>
▲ 1402 ▲ 1408 ▲ 1401 ▲ 1404	BUBBLER: RAIN BIRD RWS-B-SOCK ROOT WATERING SYSTEM WITH 4\"/>
■	HUNTER ACZ-075-25 DRIP CONTROL KIT FEATURING A 3/4\"/>
▨	AREA TO RECEIVE DRIPLINE DRIPLINE: HUNTER PLD-06-18 (18) IN-LINE PRESSURE COMPENSATING LANDSCAPE DRIPLINE WITH BUILT-IN CHECK VALVE. 0.6GPH EMITTERS AT 18.0\"/>
⊙	REMOTE CONTROL VALVE: RAIN BIRD PEB-PRS-D ELECTRIC REMOTE CONTROL VALVE WITH PRESSURE REGULATOR.
⊙	QUICK COUPLER: RAIN BIRD 44LRC 1\"/>
⊙	SHUT OFF VALVE PVC SCHEDULE 40 BALL VALVE
⊙	MASTER VALVE: RAIN BIRD PEB-PRS-D 1-1/2\"/>
⊙	BACKFLOW: FEBCO 850, 1-1/2\"/>
⊙	RAIN BIRD ESP8LXME WITH (01) ESPLXMSM12 20 STATION COMMERCIAL CONTROLLER. MOUNTED ON A PLASTIC WALL MOUNT. WITHOUT FLOW SENSING.
⊙	RAIN BIRD WR2-RFC WIRELESS RAIN AND FREEZE SENSOR COMBO. INCLUDES 1 RECEIVER AND 1 RAIN/FREEZE SENSOR TRANSMITTER.
⊙	WATER METER 1-1/2\"/>
---	IRRIGATION LATERAL LINE: PVC CLASS 200 SDR 21 PVC SCHEDULE 40 TO 1-1/2\"/>
---	IRRIGATION MAINLINE: PVC SCHEDULE 40



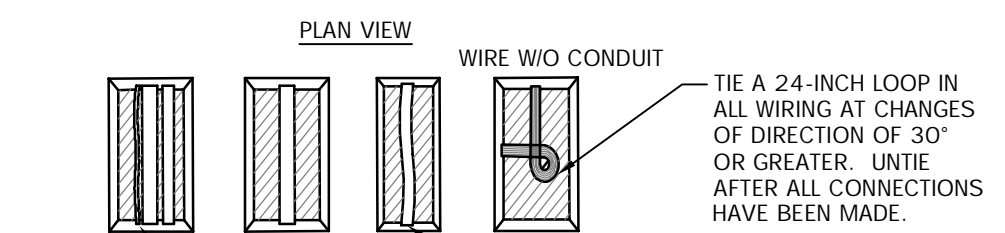
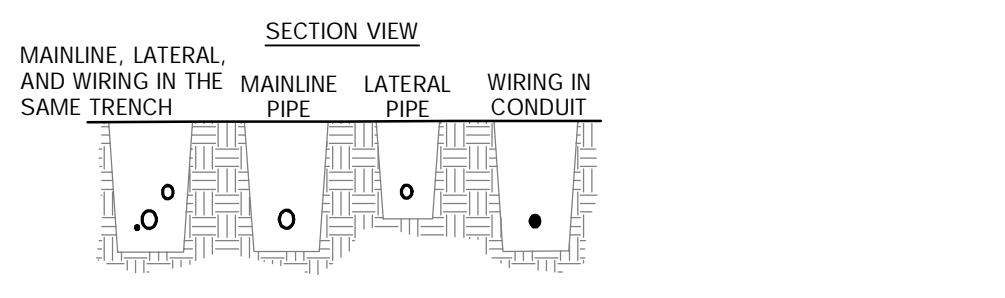
I THRUST BLOCK
NTS



F ELECTRIC REMOTE CONTROL VALVE
NTS

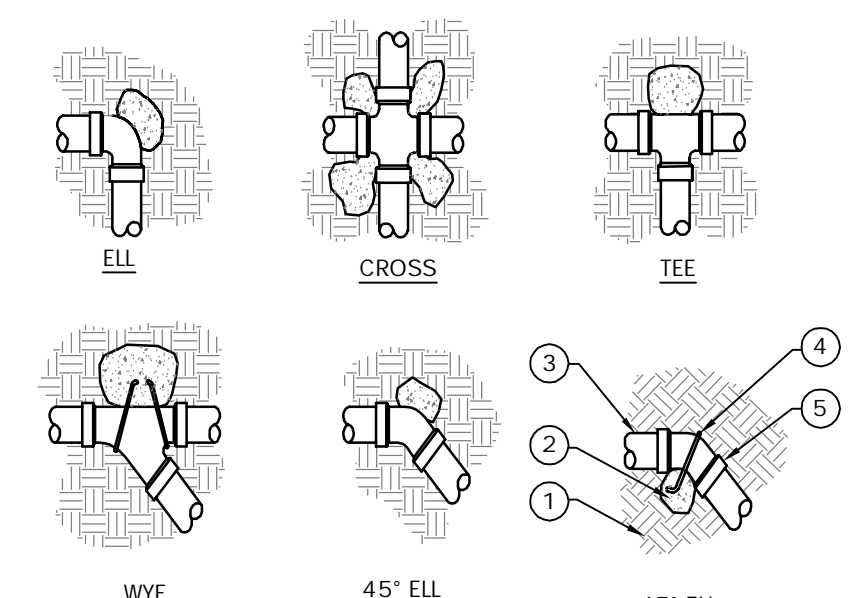


G SLEEVE INSTALLATION DETAIL
NTS



- NOTES:
- SLEEVE BELOW ALL HARDSCAPE ELEMENTS WITH SCH40 PVC PIPE, TWICE THE DIAMETER OF THE PIPE OR WIRE BUNDLE WITHIN.
 - FOR PIPE AND WIRE BURIAL DEPTHS SEE SPECIFICATIONS.
 - CONTROLLER WIRE BURIED WITHOUT CONDUIT SHALL BE RATED FOR DIRECT BURIAL.

H PIPE & WIRE TRENCHING
NTS



- NOTES:
- SUPPLY LINES 24-INCHES IN DIAMETER AND LARGER SHALL RECEIVE CONCRETE THRUST BLOCKS.
 - SEE SPECIFICATIONS FOR AMOUNT OF CONCRETE TO BE USED FOR THRUST BLOCK.
- ⊙ UNDISTURBED SOIL (TYPICAL)
 - ⊙ CONCRETE THRUST BLOCK (TYPICAL)
 - ⊙ PIPE (TYPICAL)
 - ⊙ REBAR BENT AROUND FITTING (TYPICAL)
 - ⊙ FITTING (TYPICAL)

NO.	DATE	DESCRIPTION
1	5/18/2017	FOR BIDDING

IRRIGATION NOTES & DETAILS

CINERGY CINEMAS
AMARILLO, TEXAS

DUNAWAY
4000 N. Big Spring Street • Suite 101 • Midland, Texas 79705
Tel: 432.699.4889
(TX REG. P-1115)

STATE OF TEXAS
JANEL MOODY
20528
05/11/2017

JOB NO:	B003373.001
DESIGNED BY:	JMM
DRAWN BY:	JMM
CHECKED BY:	TEH
DATE:	MAY 19, 2017
SHEET:	IR2.00