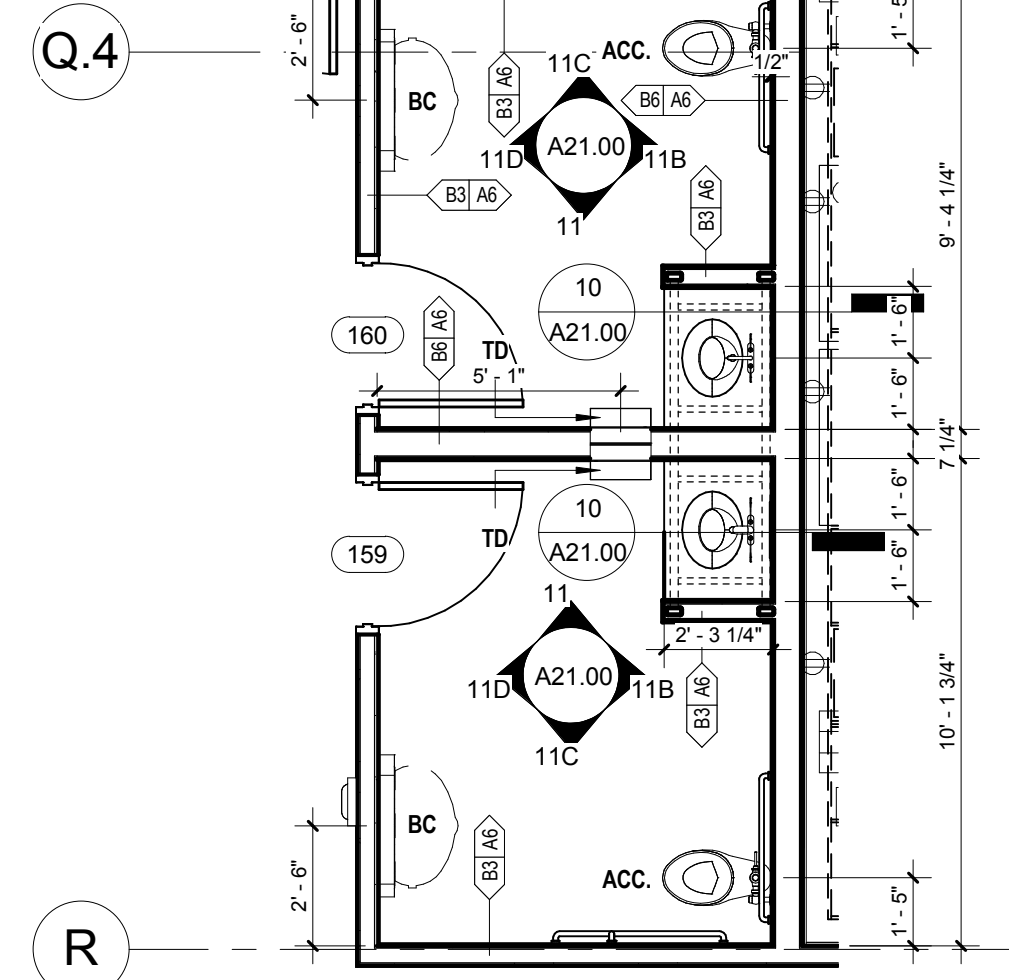
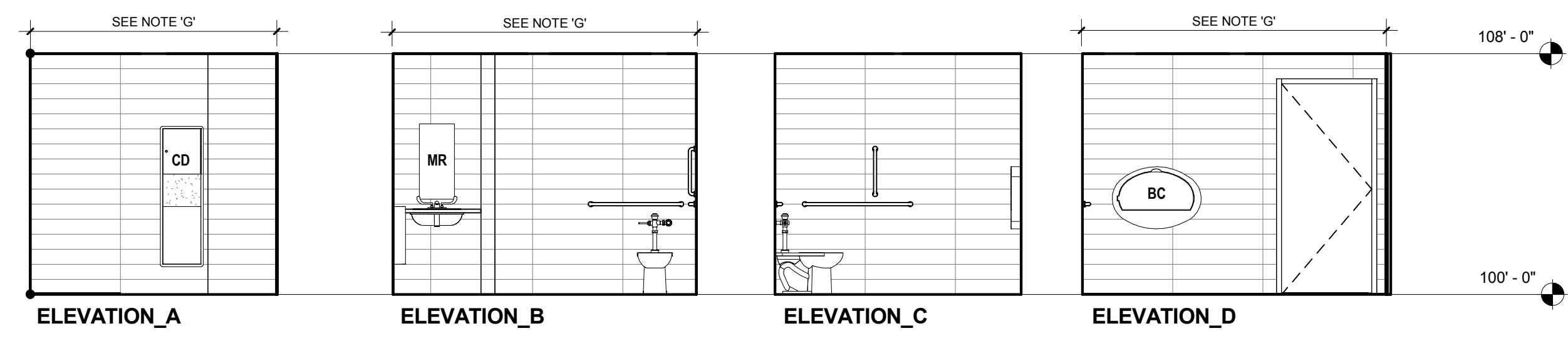


ITEM	SUPPLY		INSTALL		BY G.C.		PRODUCT
	OWNER	CONTRACTOR	OWNER	CONTRACTOR	OWNER	CONTRACTOR	
BABY CHANGING STATION	X	X	X	X	X	X	KOALA CARE - KB200-00
COMBO PAPER TOWEL + TRASH	X	X	X	X	X	X	BOBRICK - B43844
ELECTRIC HAND DRYER	X	X	X	X	X	X	BY OWNER - T.B.D.
HORIZONTAL AND VERTICAL GRAB BARS	X	X	X	X	X	X	BOBRICK - B5806
PAPER TOWEL DISPENSOR	X	X	X	X	X	X	ENNOTION - 59462
SANITARY NAPKIN DISPOSAL	X	X	X	X	X	X	BOBRICK - B270
SEAT COVER DISPENSOR	X	X	X	X	X	X	BOBRICK - B221
STAINLESS STEEL DRYER GUARDS	X	X	X	X	X	X	XCELERATOR - 89S
TOILET AND URINAL PARTITIONS	X	X	X	X	X	X	BOBRICK - CLASSIC SERIES 1542
TOILET PAPER DISPENSOR	X	X	X	X	X	X	GP PRO

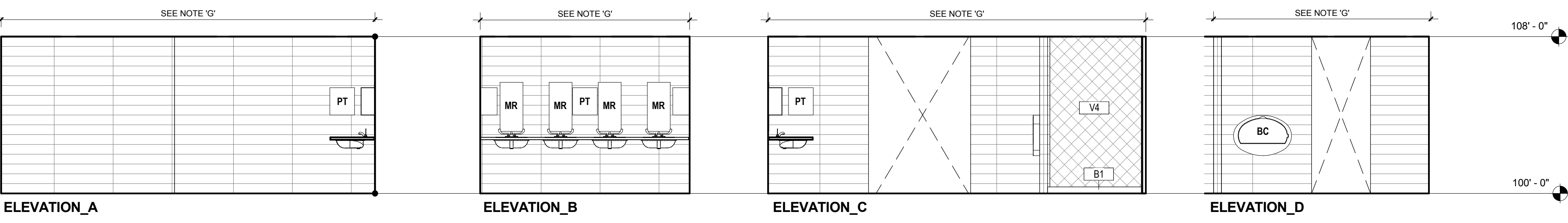
13 ACCESSORY MATRIX
12" = 1'-0"



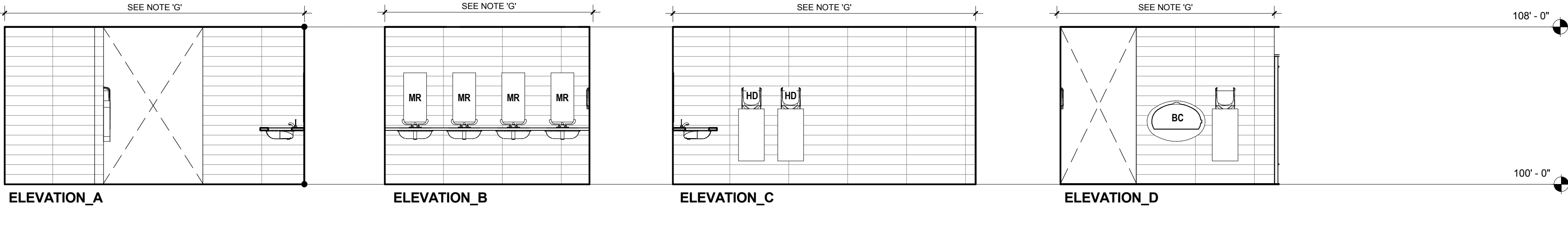
12 ENLARGED PLAN - UNISEX 159 + 160
1/4" = 1'-0"



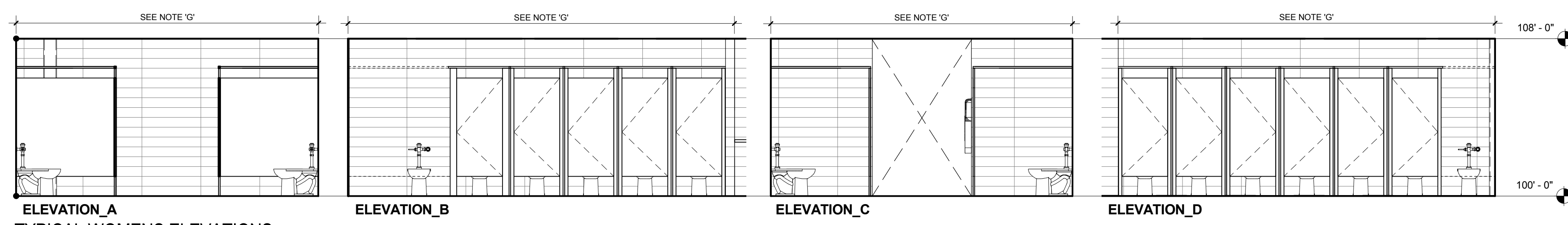
11 UNISEX 159 + 160 ELEVATIONS
1/4" = 1'-0"



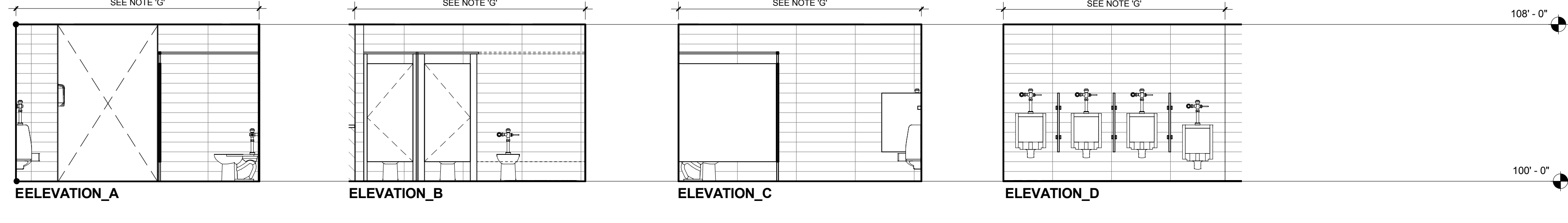
9 LAVATORY 178 + 181 ELEVATIONS
1/4" = 1'-0"



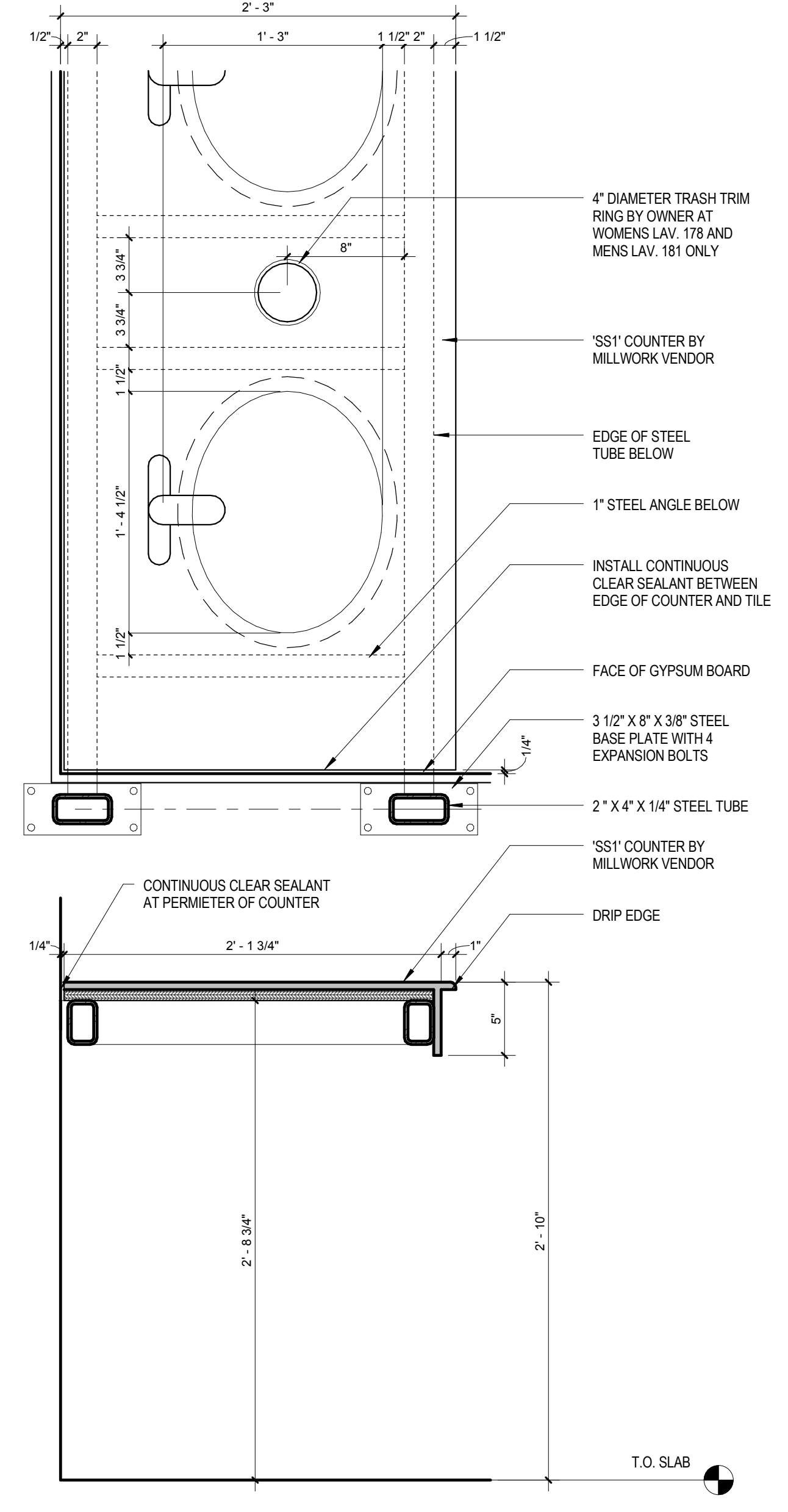
8 LAVATORY 153 + 155 ELEVATIONS
1/4" = 1'-0"



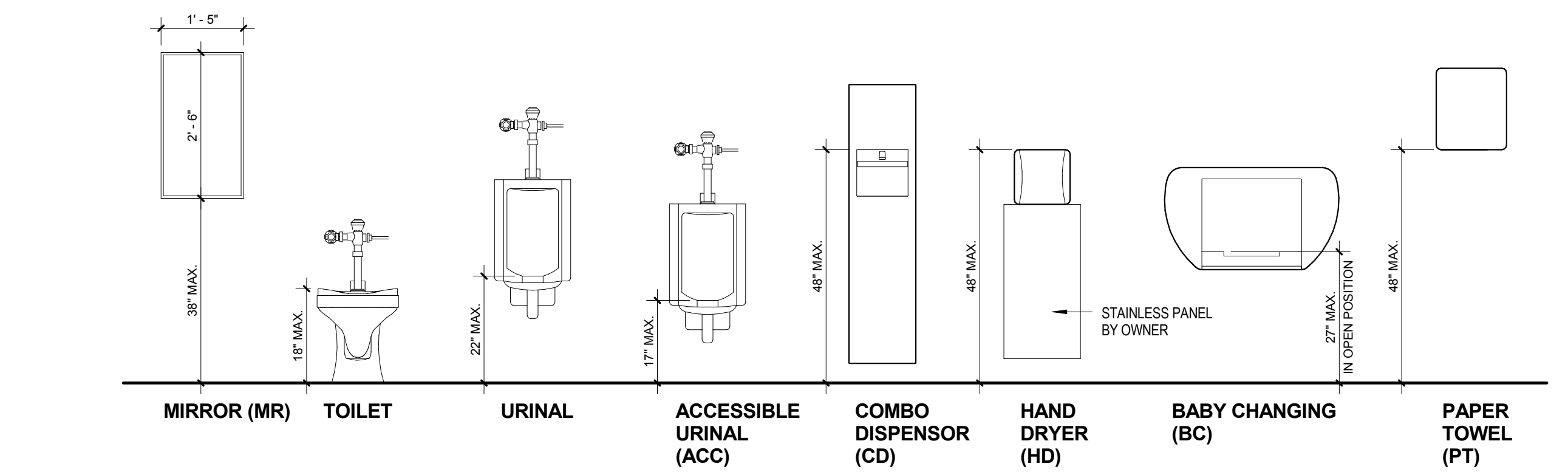
7 TYPICAL WOMENS ELEVATIONS
1/4" = 1'-0"



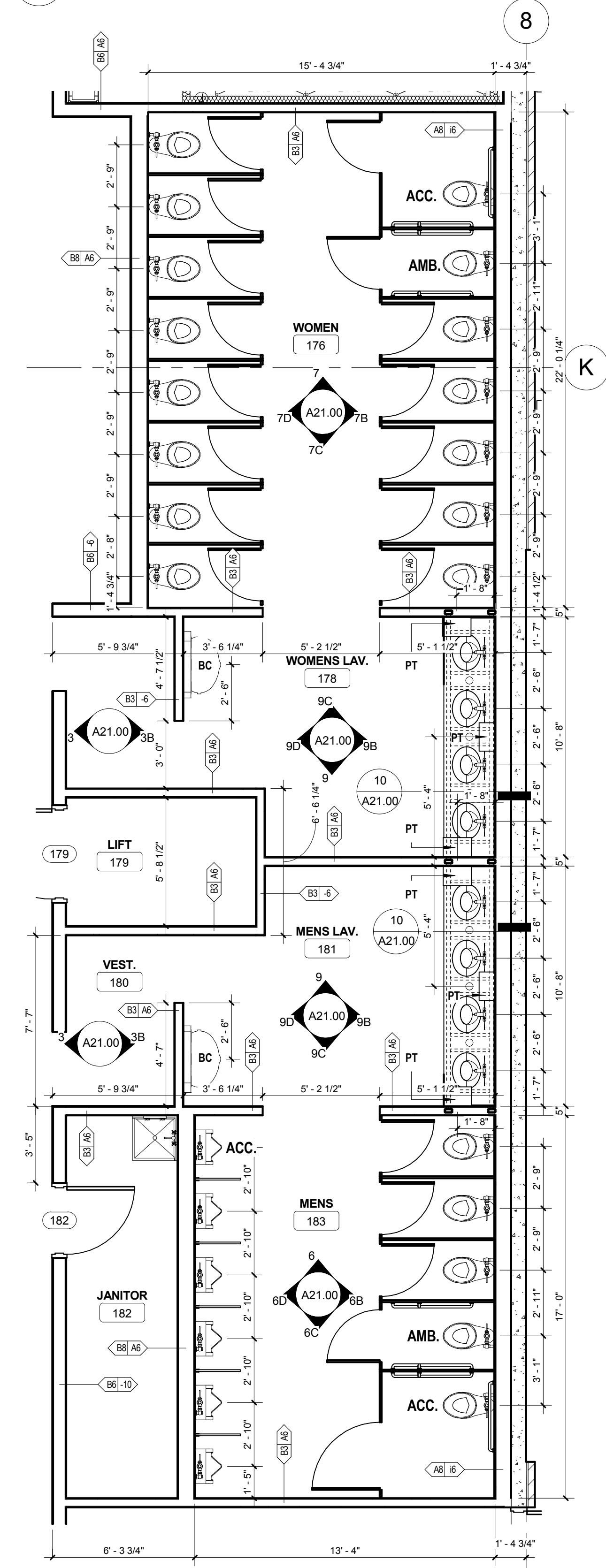
6 TYPICAL MENS ELEVATIONS
1/4" = 1'-0"



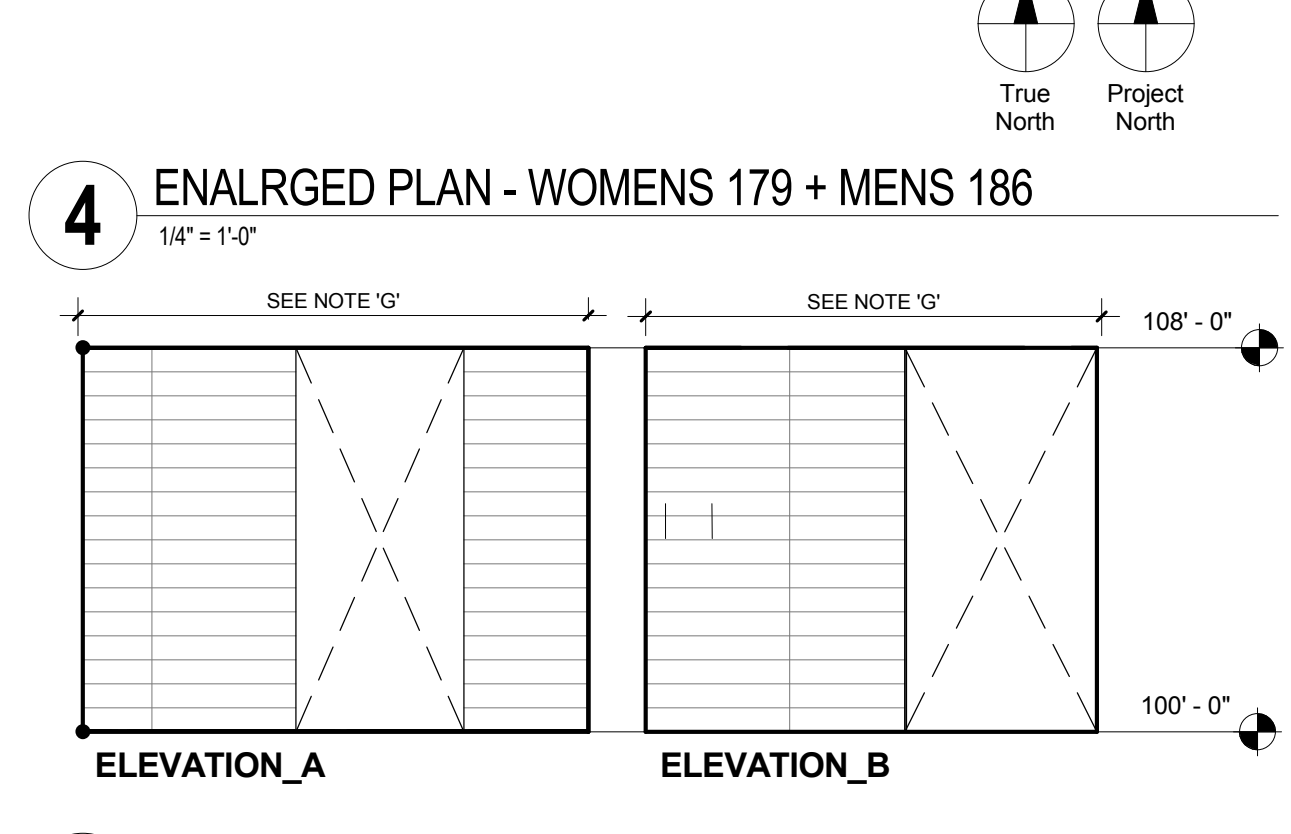
10 LAVATORY DETAIL
1 1/2" = 1'-0"



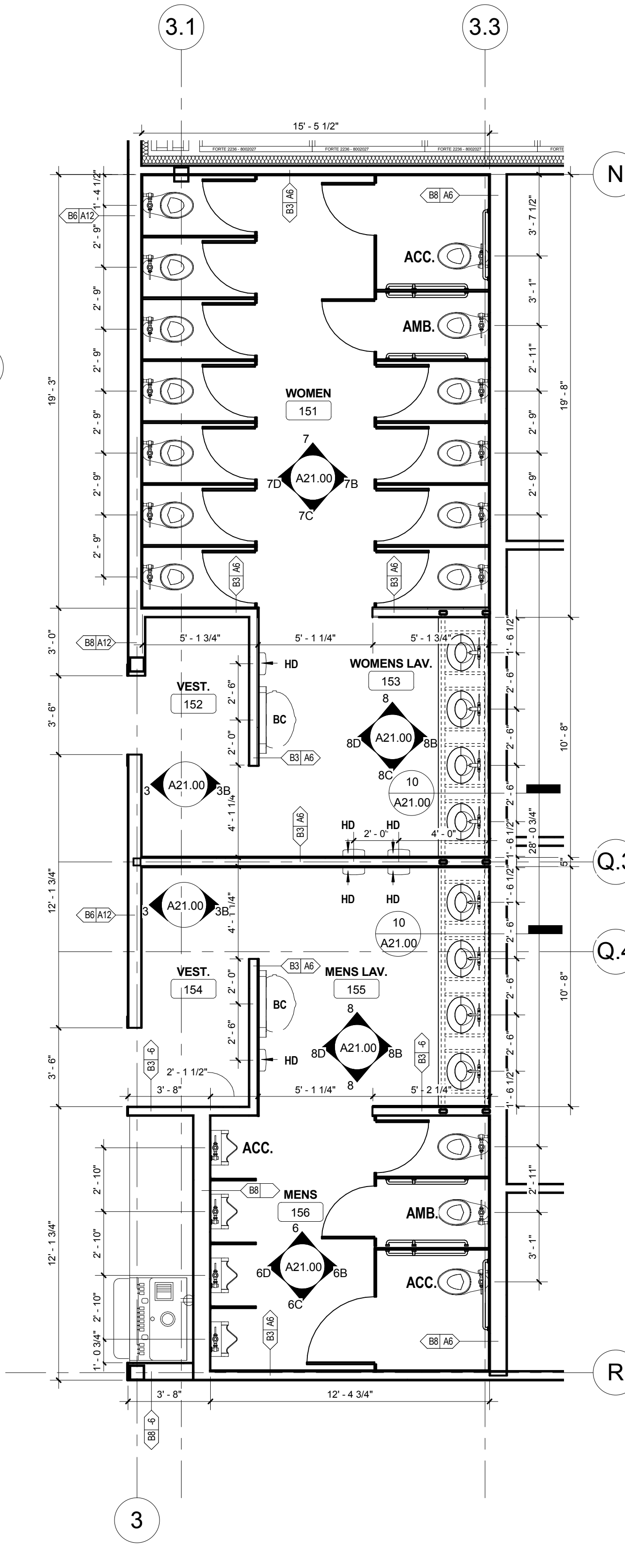
5 FIXTURE MOUNTING HEIGHTS
1/2" = 1'-0"



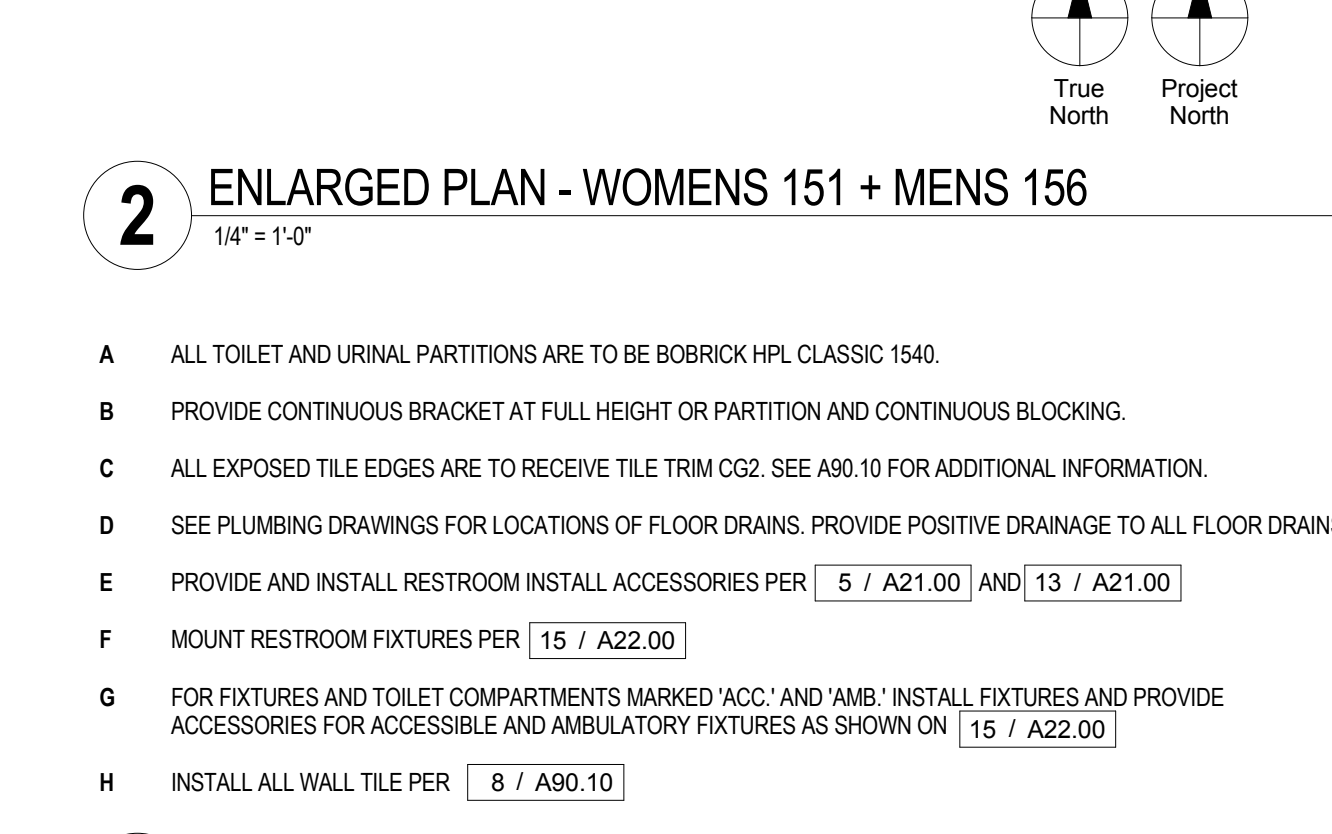
4 ENLARGED PLAN - WOMENS 179 + MENS 186
1/4" = 1'-0"



3 TYPICAL VESTIBULE ELEVATIONS
1/4" = 1'-0"



2 ENLARGED PLAN - WOMENS 151 + MENS 155
1/4" = 1'-0"



1 GENERAL NOTES
12" = 1'-0"

- A ALL TOILET AND URINAL PARTITIONS ARE TO BE BOBRICK HPL CLASSIC 1540.
- B PROVIDE CONTINUOUS BRACKET AT FULL HEIGHT OR PARTITION AND CONTINUOUS BLOCKING.
- C ALL EXPOSED TILE EDGES ARE TO RECEIVE TILE TRIM CG2. SEE A80.10 FOR ADDITIONAL INFORMATION.
- D SEE PLUMBING DRAWINGS FOR LOCATIONS OF FLOOR DRAINS. PROVIDE POSITIVE DRAINAGE TO ALL FLOOR DRAINS.
- E PROVIDE AND INSTALL RESTROOM INSTALL ACCESSORIES PER [5 / A21.00] AND [13 / A21.00]
- F MOUNT RESTROOM FIXTURES PER [15 / A22.00]
- G FOR FIXTURES AND TOILET COMPARTMENTS MARKED 'ACC' AND 'AMB', INSTALL FIXTURES AND PROVIDE ACCESSORIES FOR ACCESSIBLE AND AMBULATORY FIXTURES AS SHOWN ON [15 / A22.00]
- H INSTALL ALL WALL TILE PER [8 / A90.10]

5G

ARCHITECT
5G Studio Collaborative, LLC.
800 Jackson St., Suite 500
Dallas, TX 75202
Ian Means 214-646-1508

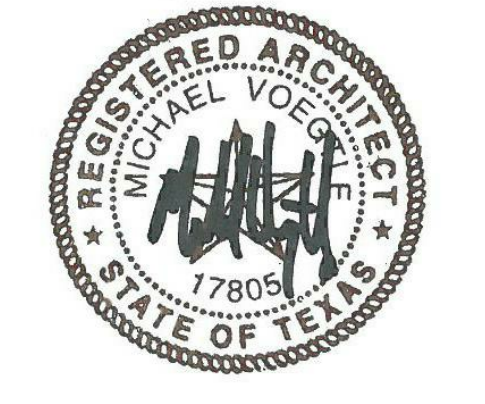
STRUCTURAL ENGINEER
Hunt & Joiner, Inc.
1120 Capitol of Texas Highway Suite 100
Austin, TX 78746
Colin Edwards 512-358-8788

MEP ENGINEER
Envirodesign
900 Ranch Road 620 South, Suite C101-301
Austin, TX 78734
Sam Patton 512-693-9015

CIVIL ENGINEER
Maverick Engineering
1909 West Wall Street, Suite K
Midland, TX 79701
Andrew Melton 432-262-0999

OWNER
Cinergy Cinemas & Entertainment
5720 LBJ Freeway, Suite 625
Dallas, TX 75240
Jeffrey Benson 469-804-7475

REV.	DATE	ISSUE TITLE
05.12.17	05.12.17	ISSUE FOR PERMIT
05.24.17	05.24.17	ISSUE FOR BID
06.12.17	06.12.17	ADDENDUM 01



CINERGY AMARILLO

ENLARGED RESTROOM
PLANS

ARA007 PROJECT NUMBER **A21.00** SHEET NUMBER