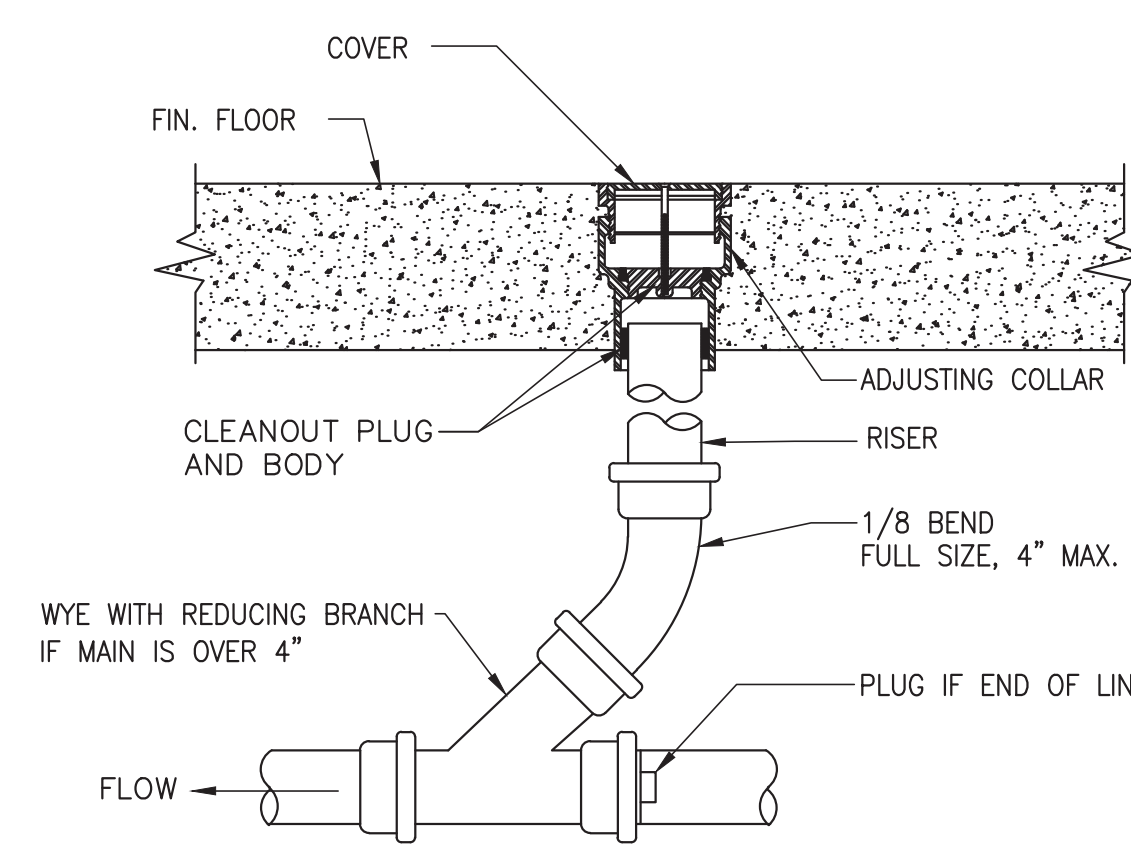
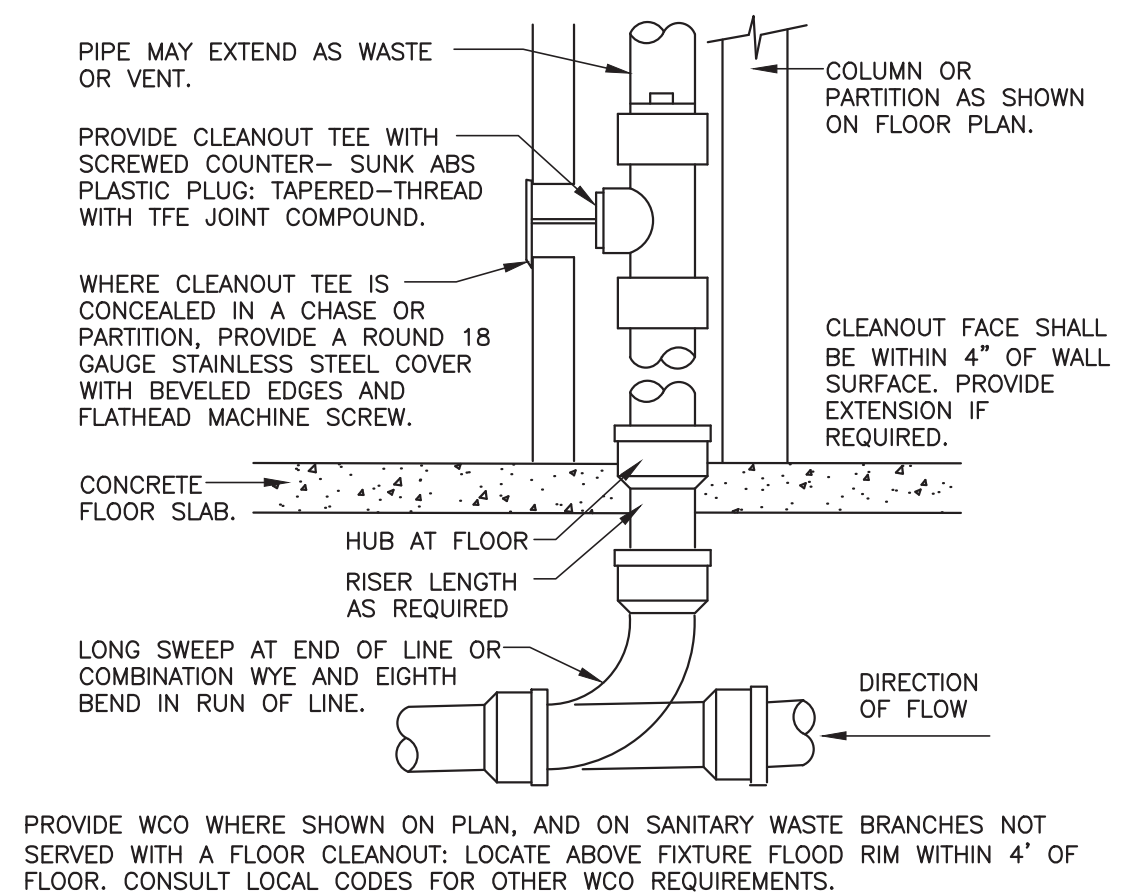


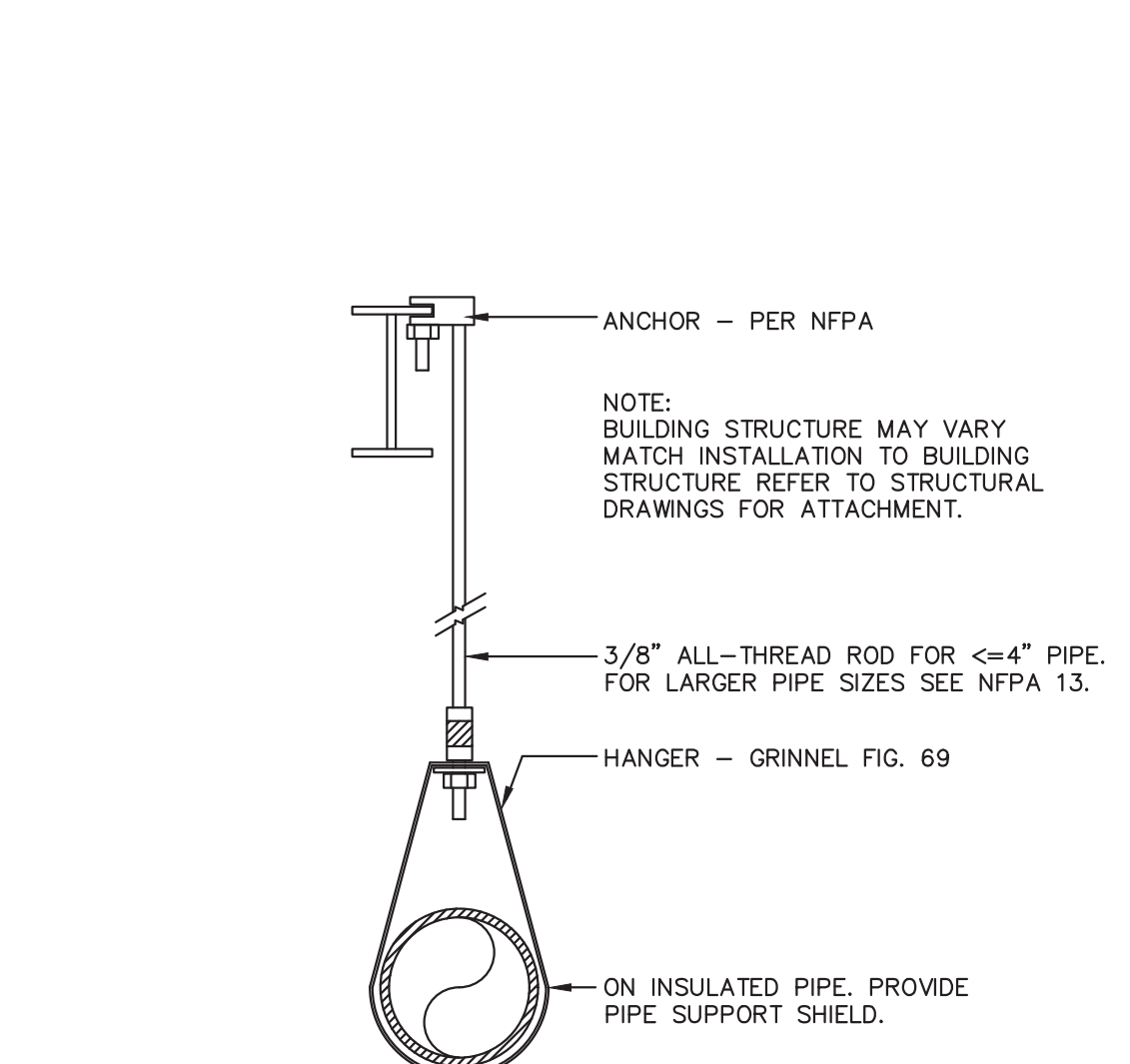
04/13/17  
The seal appearing on this document was authorized by T.M. JENSEN, P.E. #74655 on 04/13/2017. Alteration of a sealed document without proper notification to the responsible engineer is an offense under the Texas Engineering Practice Act. The record copy of this drawing is on file at the office of FourPoint MEP, 1501 Abrams Rd., #1700, Richardson, TX 75081.



**05 FLOOR CLEANOUT**  
SCALE: NONE



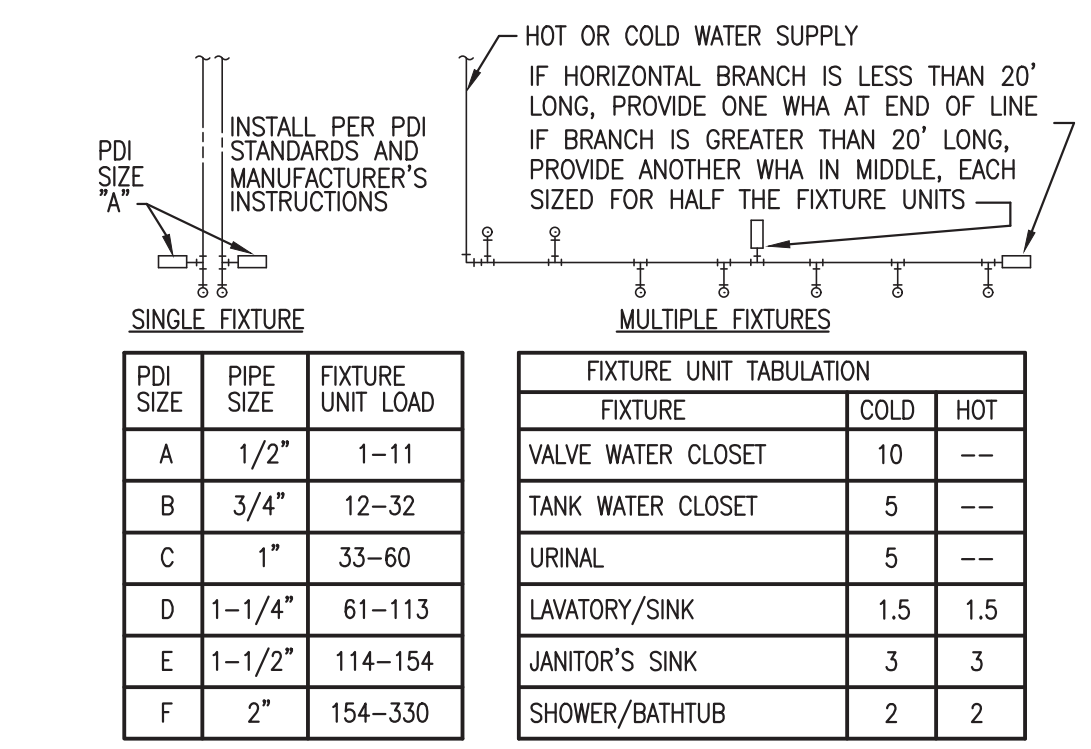
**04 WALL CLEANOUT DETAIL**  
SCALE: NONE



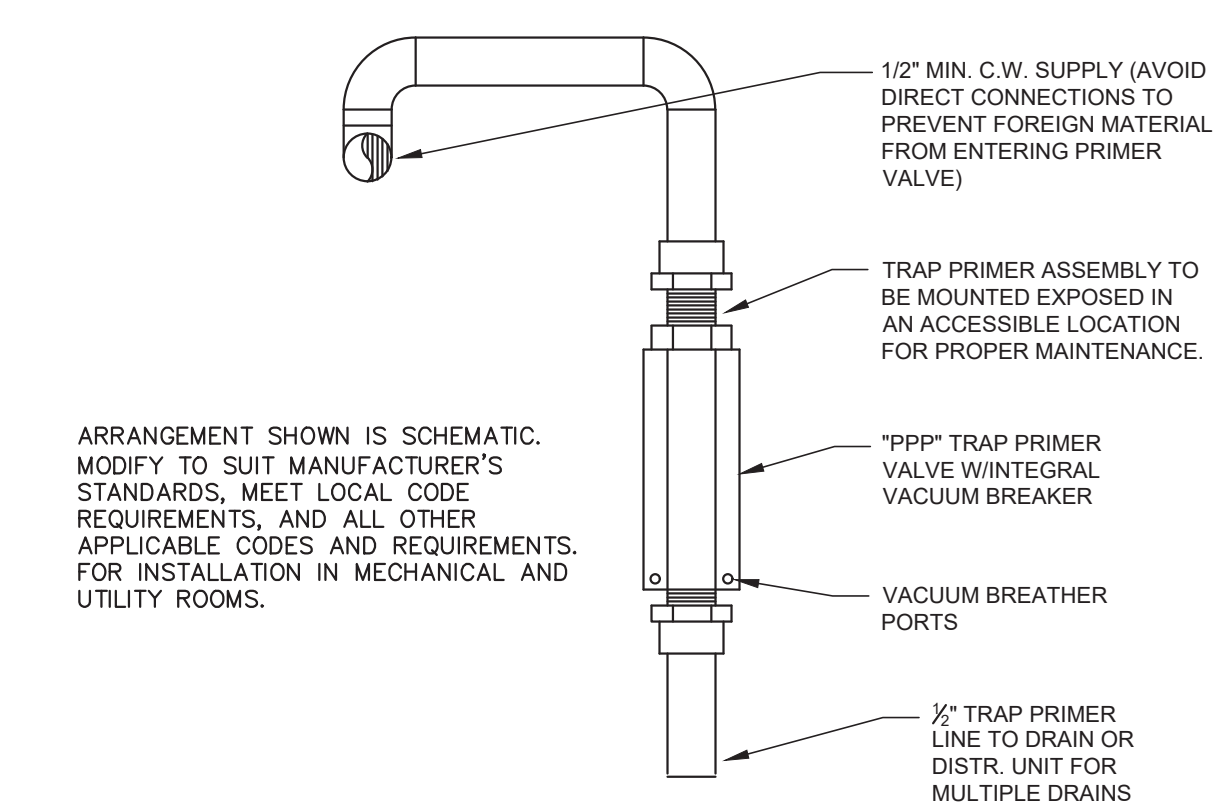
**03 PIPE HANGER DETAIL**  
SCALE: NONE

PLUMBING FIXTURE SCHEDULE (Binnerri Church Remodel - Richardson, TX)									
MARK	FIXTURE TYPE	MANUFACTURER	MODEL NO.	WASTE	VENT	COLD WATER	HOT WATER	DESCRIPTION	
EWH	ELECTRIC WATER HEATER	EEMAX	#EX80T (8.0KW)	-	-	1/2"	1/2"	277V, 8.0 KW, 55F RISE AT 1.0 GPM, MICRO-PROCESSING TEMP CONTROL (+/- 1F), ADJ. TEMP RANGE, 1/2" CONNECTIONS, HIGH TEMP LIMIT SWITCH, 5 YR WARR.	
FCO	FLOOR CLEANOUT	ZURN	ZN-1400-BZ	SEE PLANS	-	-	-	DURA-COATED CAST IRON, NO-HUB OUTLET, INTERNAL ABS CLEANOUT PLUGS, WITH ADJUSTABLE ROUND SCORATED NICKEL BRONZE TOP	
FD	FLOOR DRAIN	ZURN	ZN-415B-C-P-Y	3"	1-1/2"	SEE PLANS	-	ROUND, DUCO CAST IRON, NO-HUB, WITH ADJUSTABLE STRAINER HEAD AND NICKEL BRONZE STRAINER, AND MEMBRANE CLAMPING DEVICE. ADD TRAP PRIMER CONNECTION WHERE SHOWN ON PLANS.	
IMB	ICE MAKER SUPPLY BOX	SIOUX CHIEF "OX-BOX"	SERIES 696-1010	-	-	1/4"	-	ICE MAKER OUTLET BOX WITH MINI-RESTER HYDRAULIC SHOCK ARRESTER AND LEAD-FREE QUARTER TURN BALL VALVE. PROVIDE NO LEAD MODEL.	
LAV-1	LAVATORY	AMERICAN STANDARD	OVALYN 9482.000	2"	1-1/2"	1/2"	1/2"	OVAL UNDERCOUNTER SINK, LINEN COLOR, VITREOUS CHINA, 4" CENTERS IN COUNTER, WITH SUPPLIES, 1/4 TURN BRASS STOPS, P-TRAP, LAV-GUARD COVER, AND AMERICAN STANDARD CADET #8115 FAUCET AND GRID DRAIN. MOUNTING SHALL COMPLY WITH ANSI A117.1 GUIDELINES.	
LAV-2	LAVATORY	AMERICAN STANDARD	WHEELCHAIR 9141.011	2"	1-1/2"	1/2"	1/2"	WALL MOUNT SINK, WHITE COLOR, VITREOUS CHINA, 4" CENTERS, WITH SUPPLIES, 1/4 TURN BRASS STOPS, P-TRAP, LAV-GUARD COVER, AND AMERICAN STANDARD 'COVINA' LEVER HANDLE FAUCET WITH 0.5 GPM AERATOR AND GRID DRAIN. MOUNTING SHALL COMPLY WITH ANSI A117.1 GUIDELINES.	
S-1	SINK	ELKAY	LRAD191955	2"	1-1/2"	1/2"	1/2"	STAINLESS STEEL, 19-1/2" BY 19" BY 5" DEEP, SINGLE BOWL, TOP MOUNT SINK, 4" CENTERS IN COUNTER, WITH SUPPLIES, 1/4 TURN BRASS STOPS, P-TRAP, LAV-GUARD COVER, AND CHICAGO #2300-CP ADA FAUCET AND GRID DRAIN. MOUNTING SHALL COMPLY WITH ANSI A117.1 GUIDELINES.	
S-2	SINK	ELKAY	ELUHAD1916	2"	1-1/2"	1/2"	1/2"	STAINLESS STEEL, 19" BY 16" BY 5-1/2" DEEP, SINGLE BOWL, UNDERMOUNT SINK, WITH SUPPLIES, 1/4 TURN BRASS STOPS, P-TRAP, LAV-GUARD COVER, AND CHICAGO #2300-CP ADA FAUCET AND GRID DRAIN. MOUNTING SHALL COMPLY WITH ANSI A117.1 GUIDELINES.	
TMV	THERMOSTATIC MIXING VALVE	POWERS	HYDRGUARD LFLM495	-	-	1/2"	1/2"	LEAD FREE, CAST BRASS BODY WITH INTEGRAL CHECKS, MINIMUM FLOW 0.5 GPM. SET MIXED TEMPERATURE TO 110F, U.N.O.	
TP	TRAP PRIMER	PPP	P-2	-	-	1/2"	-	AUTOMATIC PRESSURE-ACTIVATED TRAP PRIMER VALVE WITH DUJ DISTRIBUTION UNIT AND 1/2" INLET & OUTLET.	
WC-1	WATER CLOSET (15" TO RIM)	AMERICAN STANDARD	MADERA 2858.128	4"	2"	1"	-	FLOOR MOUNTED, ELONGATED BOWL, VITREOUS CHINA, 1-1/2" TOP SPUD, 1.28 GPF MANUAL AMERICAN STANDARD FLUSHVALVE AND OLSONITE # 105SCT OPEN-FRONT SEAT LESS COVER. MOUNTING SHALL COMPLY WITH ANSI A117.1 GUIDELINES.	
WC-2	WATER CLOSET (ADA, 16-1/2" TO RIM)	AMERICAN STANDARD	MADERA 2857.128	4"	2"	1"	-	FLOOR MOUNTED, ELONGATED BOWL, VITREOUS CHINA, 1-1/2" TOP SPUD, 1.28 GPF MANUAL AMERICAN STANDARD FLUSHVALVE AND OLSONITE # 105SCT OPEN-FRONT SEAT LESS COVER. MOUNTING SHALL COMPLY WITH ANSI A117.1 GUIDELINES.	
WC-3	WATER CLOSET (10 1/4" TO RIM)	AMERICAN STANDARD	BABY DEVORO 2282.001	4"	2"	1"	-	FLOOR MOUNTED, ROUND BOWL, VITREOUS CHINA, 1-1/2" TOP SPUD. PROVIDE WITH AMERICAN STANDARD #6047.121.002 MANUAL FLUSHVALVE AND OLSONITE # 105SCT OPEN-FRONT SEAT LESS COVER.	
WCO	WALL CLEANOUT	ZURN	Z1446	SEE PLANS	-	-	-	DURA-COATED CAST IRON CLEANOUT TEE WITH NO-HUB CONNECTION, BRONZE COUNTERSINK PLUG, AND STAINLESS STEEL ROUND COVER.	
WHA	WATER HAMMER ARRESTER	PPP	SC	-	-	SEE PLANS	SEE PLANS	BARREL-FABRICATED TYPE I HARD DRAWN COPPER BODY, 60 PSI NITROGEN PRELOAD.	

- NOTES:  
1. SUBMIT SUBSTITUTIONS TO ARCHITECT OR OWNER FOR APPROVAL.  
2. VERIFY COLOR AND FINISHES WITH ARCHITECT PRIOR TO ORDERING.



**02 HAMMER ARRESTERS**  
SCALE: NONE



**01 TRAP PRIMER DETAIL**  
SCALE: NONE

**PLUMBING NOTES**

- CONTRACTOR SHALL REFER TO SHEET MEP001 FOR GENERAL MEP NOTES APPLICABLE TO ALL PLANS. GENERAL NOTES SHALL APPLY TO ALL SHEETS, I.E. ALL WORK UNLESS NOTED OTHERWISE (U.N.O.). REFERENCE ALSO SHEET SPECIFICATIONS ON MEP002.
  - PLUMBING WORK SHALL COMPLY WITH THE 2012 INTERNATIONAL PLUMBING CODE (WITH CITY OF RICHARDSON AMENDMENTS) AND THE AUTHORITIES HAVING JURISDICTION (A.H.J.).
  - PLUMBING WORK SHALL INCLUDE FIELD VERIFYING EXISTING CONDITIONS, FURNISHING, INSTALLING, AND TESTING ALL PLUMBING SYSTEMS, INCLUDING: PIPING, VALVES, DEVICES AND APPURTENANCES, AND EQUIPMENT FOR COMPLETE AND FULLY OPERATIONAL SYSTEMS. CONTRACTOR SHALL COORDINATE, INSTALL, AND TEST ITEMS SPECIFICALLY NOTED AS FURNISHED BY OTHERS. WORK INCLUDES, BUT IS NOT LIMITED TO:
    - PIPING, FITTINGS, AND ESCUTCHEONS AT WALL PENETRATIONS.
    - COPPER CONDENSATE DRAINS (IF REQUIRED, REFER TO MECHANICAL PLANS AND COORDINATE).
    - PLUMBING FIXTURES.
    - FAUCETS, DRAINS, AND CHROME-PLATED VALVES FOR RESTROOM SINKS.
    - BACKFLOW PREVENTERS AT WATER FILTERS, COFFEE/TEA MAKERS, AND SODA DISPENSERS AND VACUUM BREAKER AT EACH PIECE OF EQUIPMENT CONNECTED TO WATER AND AS REQUIRED BY LOCAL CODES.
    - SHUT-OFF VALVES ON WATER AT EACH BRANCH AND PIECE OF EQUIPMENT OR FIXTURE.
    - WEATHER-PROOF ROOF AND WALL PENETRATIONS.
  - CONTRACTOR SHALL CAREFULLY INSPECT ALL FIXTURES AND EQUIPMENT RECEIVED AND VERIFY THAT IT IS COMPATIBLE WITH THE MECHANICAL, ELECTRICAL, AND PLUMBING SYSTEMS PRIOR TO INSTALLING EQUIPMENT. CONTACT ARCHITECT OR ENGINEER FOR DIRECTION IF ANY SIGNIFICANT DISCREPANCY ARISES.
  - REFER TO ARCHITECTURAL PLANS FOR FINAL LOCATIONS AND ELEVATIONS OF ROUGH-IN TO EQUIPMENT. MAKE ALL CONNECTIONS. CONTRACTOR SHALL FIELD VERIFY AND CONTACT ARCHITECT FOR DIRECTION IF ANY SIGNIFICANT DISCREPANCY IS FOUND.
  - PLUMBING PIPING AND FIRE PROTECTION (SPRINKLER) PIPING SHALL GENERALLY BE RUN HIGH AND TIGHT TO STRUCTURE TO MAXIMIZE CLEAR USABLE SPACE IN MECHANICAL ROOMS AND SPACE ABOVE CEILINGS FOR DUCTWORK, ELECTRICAL CONDUIT, ETC. REFERENCE STRUCTURAL ENGINEER'S PLANS IF SLEEVING THROUGH BEAMS, FOOTERS, AND/OR ORDERS IS REQUIRED.
  - WATER SUPPLY
    - ALL HOT, COLD, AND FILTERED WATER PIPING SHALL CONFORM TO NSF 61. IT SHALL BE SECURED AND PROPERLY SUPPORTED ABOVE CEILINGS AND WITHIN WALLS, UNEXPOSED TO VIEW. SURFACE MOUNTED PIPING IS NOT ACCEPTABLE, UNLESS APPROVED IN WRITING BY ARCHITECT.
    - PROVIDE VIBRATION ISOLATION. PROVIDE WATER HAMMER ARRESTERS CONFORMING TO ASSE 1010 AT THE TOP OF EACH PLUMBING RISER AND AT EACH 'QUICK CLOSING' VALVE (E.G. FLUSH VALVE).
    - ALL HOT AND COLD WATER PIPING ABOVE FLOOR AND EXPOSED DRAIN PIPING SHALL BE TYPE 'L' HARD TEMPER COPPER PIPING CONFORMING TO ASTM B88 AND NSF 61 WITH WROUGHT COPPER SOLDER JOINT FITTINGS AND LEAD-FREE (<0.25% SOLDER (U.N.O.)). HIDDEN OR PROTECTED DRAIN PIPING MAY BE TYPE 'DW' CONFORMING TO ASTM B306.
    - UNDERFLOOR WATER PIPING SHALL BE TYPE 'K' SOFT-DRAWN COPPER TUBING CONFORMING TO ASTM B88 WITH WROUGHT COPPER SOLDER JOINT FITTINGS AND SILVER SOLDERED JOINTS.
    - PROVIDE TRAP PRIMERS TO ALL FLOOR DRAINS IN BREAKROOMS, RESTROOMS, AND MECHANICAL ROOMS.
    - FILTERED WATER PIPING TO ICE MACHINES AND COFFEE/TEA BREWERS MAY BE PEX PLASTIC TUBING CONFORMING TO ASTM F876 & F877 AND BEVERAGE VENDOR'S REQUIREMENTS.
    - PROVIDE ACCESSIBLE SHUT-OFF VALVES AND MAKE FINAL CONNECTION PER MANUFACTURER'S RECOMMENDATIONS TO ALL FIXTURES AND EQUIPMENT. REFER TO ARCHITECTURAL PLANS FOR ADDITIONAL REQUIREMENTS.
    - ALL LAVATORIES IN RESTROOMS SHALL BE PROVIDED WITH HOT WATER AT 110F (MAX.). FIELD VERIFY CONDITIONS. IF NECESSARY, PROVIDE THERMOSTATIC MIXING VALVE CONFORMING TO ASSE 1016, ASSE 1062, OR ASSE 1070 (AS REQUIRED BY APPLICATION) UNLESS SUPPLIED BY AN EXISTING WATER HEATER SET TO DELIVER 110F.
  - IF ADDED AT A LATER PHASE OR PLAN ISSUE, PROVIDE RP2 AT SUPPLY OF WATER FILTERS, WATER INJECTED SODA DISPENSERS, COFFEE/TEA BREWERS, CARBONATED DRINK DISPENSERS CONFORMING TO ASSE 1022. STAINLESS STEEL RP2 SHALL BE USED ON CARBONATED AND OTHER CORROSIVE LIQUIDS. ROUTE DRAIN TO NEAREST FLOOR SINK, U.N.O. DO NOT USE COPPER PIPE DOWNSTREAM OF SS RP2 FOR CARBONATED LIQUIDS.
  - CONTRACTOR SHALL DISINFECT WATER SUPPLY PIPING AND SYSTEMS IN ACCORDANCE WITH AWWA C651 OR LOCAL CODE, WHICHEVER IS MORE STRINGENT.
- INSULATION**
- PIPE INSULATION SHALL BE EQUAL TO OWENS CORNING FIBERGLAS 'ASJ/SSL' HAVING ALL SERVICE JACKET. PROVIDE PLASTIC JACKET WHERE EXPOSED TO PHYSICAL DAMAGE. ARMAFLEX OR EQUAL OF REQUIRED R-VALUE MAY BE PROVIDED WHERE PERMITTED BY A.H.J. INSTALL WITH ADHESIVE AND FOR USE AS RECOMMENDED BY MANUFACTURER.
  - ALL DOMESTIC COLD WATER PIPING AND CONDENSATE DRAINS SHALL BE INSULATED WITH 1/2" FIBERGLASS. ALL HOT WATER PIPING SHALL BE INSULATED WITH 1" FIBERGLASS (ON UP TO 1-1/4" PIPE). COMPLY WITH 2015 IECC.
- WASTE AND VENT**
- UNDERFLOOR SANITARY WASTE PIPING AND VENT PIPING SHALL BE CAST IRON AS SPECIFIED BELOW OR SCHEDULE 40 SOLID CORE PVC PIPE CONFORMING TO ASTM D2665 AND IPC CHAPTER 7 (WHERE PERMITTED BY THE A.H.J.).
  - ABOVE FLOOR SANITARY WASTE PIPING AND VENT PIPING SHALL BE SERVICE WEIGHT NO-HUB CAST IRON PIPE AND FITTINGS CONFORMING TO ASTM A888, CISPI 310, ASTM C564-09a, AND IPC CHAPTER 7.
  - ALL EXPOSED DRAIN PIPING FOR RESTROOM LAVATORIES SHALL BE CHROME PLATED.
  - ALL HORIZONTAL WASTE PIPING SHALL BE RUN AT A MINIMUM SLOPE OF 2% (1/4" PER FT.), U.N.O.
  - CLEANOUTS SHALL BE PROVIDED IN WASTE AT CHANGE OF DIRECTION EXCEEDING 45' AND IN INTERIOR INTERVALS NOT EXCEEDING 50 FT. CLEANOUTS SHALL BE SAME SIZE AS PIPE AND MADE OF BRASS CAULKED INTO LINES WITH ADJUSTABLE ACCESS PLATES IN FINISHED AREAS. EXTERIOR CLEANOUTS SHALL BE ENCASED IN CONCRETE AT GRADE.
- MISCELLANEOUS**
- CONTRACTOR SHALL PROVIDE PIPE SLEEVES FOR ALL PIPES PASSING THROUGH FOUNDATION WALLS. USE SLEEVE ONE SIZE LARGER THAN PIPE AND SEAL AROUND SLEEVE AND PIPE.
  - AT ACCESSIBLE WATER CLOSETS, CONTRACTOR SHALL INSTALL FLUSH HANDLE ON THE WIDE SIDE OF WATER CLOSET. REFER ALSO TO ARCHITECTURAL DETAILS.
  - CONTRACTOR SHALL SNAKE ALL DRAIN LINES AND SANITARY SEWER LINES PRIOR TO APPLYING FOR FINAL PAYMENT.
  - COORDINATE THE LOCATIONS OF ALL CEILING ACCESS PANELS WITH THE ARCHITECTURAL REFLECTED CEILING PLAN (RCP) AND LIGHTING PLAN.
  - PROVIDE UNIONS OF SAME PRESSURE RATING AS SYSTEM AT PROPER POINTS TO ALLOW REMOVAL OF EQUIPMENT, PIPE, ETC. WITHOUT DAMAGE TO OTHER PARTS OR SYSTEMS.
  - PROVIDE DIELECTRIC UNIONS TO SEPARATE DISSIMILAR MATERIAL PIPES.
  - ALL WATER PIPING AND SEWERS SHALL BE PROPERLY TESTED TO THE SATISFACTION OF THE A.H.J. AND ARCHITECT. GIVE ARCHITECT 72 HOURS NOTICE PRIOR TO CONDUCTING TEST.
  - TRENCHES SHALL BE BACK-FILLED IN ACCORDANCE WITH STRUCTURAL OR ARCHITECTURAL PLANS AND SPECIFICATIONS.

**PEX - DEDUCT ALTERNATE - REQUIREMENTS**

- DO NOT PROCEED WITH PEX PLASTIC PIPING WITHOUT THE WRITTEN APPROVAL AND ACCEPTANCE OF THE ALTERNATE BID BY THE OWNER. PRIOR TO ORDERING PARTS AND BEGINNING WORK, CONTRACTOR SHALL CONFIRM THAT A.H.J. WILL ALLOW PEX IN LEU OF COPPER COLD AND HOT WATER. SIZING AND ROUTING SHALL BE DESIGN-BUILD BY CONTRACTOR. VERIFY ALSO ALL REQUIREMENTS WITH A.H.J. AND COMPLY WITH THE FOLLOWING.
  - PEX TUBE AND FITTINGS (WITH DEDUCT-ALTERNATE BID):
    - ALL PEX TUBING, FITTINGS, AND OTHER COMPONENTS SHALL COMPLY WITH ASTM F876/F2023 AND AWWA C904. BE CERTIFIED BY 3RD PARTY AS CONFORMING TO NSF 14, AND BE FROM A SINGLE MANUFACTURER OR AS REQUIRED TO COMPLY WITH WARRANTY. WARRANTY SHALL BE A MINIMUM OF 25 YEARS FOR PEX SYSTEM OR AS OTHERWISE APPROVED IN WRITING BY OWNER.
    - PEX DISTRIBUTION SYSTEM: ASTM F 877, SDR 9 TUBING, BY A SINGLE MANUFACTURER WITH A MINIMUM OF 10 YEARS DOCUMENTED EXPERIENCE OFFERING SIMILAR PEX PIPING AND TUBING PRODUCTS. TUBING SHALL ALSO COMPLY WITH ASTM 2023 FOR USE WITH CHLORINATED WATER.
    - FITTINGS FOR PEX TUBE: ASTM F 1807 OR ASTM F 1960, BRASS INSERT TYPE WITH COPPER CRIMP RINGS AND MATCHING PEX TUBE DIMENSIONS, BY A SINGLE MANUFACTURER WITH A MINIMUM OF 10 YEARS DOCUMENTED EXPERIENCE OFFERING SIMILAR PEX FITTINGS PRODUCTS.
    - MANIFOLD: MULTIPLE-OUTLET, PLASTIC OR CORROSION-RESISTANT-METAL ASSEMBLY COMPLYING WITH ASTM F 877; WITH PLASTIC OR CORROSION-RESISTANT-METAL VALVE FOR EACH OUTLET.
    - JOINING MATERIALS: TYPE AND MATERIAL RECOMMENDED BY PIPING SYSTEM MANUFACTURER UNLESS OTHERWISE INDICATED.
    - MINIMIZE EXPOSURE TO ULTRA-VIOLET (UV) LIGHT BY STORING OUT OF DIRECT SUNLIGHT.
  - PEX SYSTEM INSTALLATION:
    - LICENSED PLUMBING CONTRACTOR SHALL BE ON SITE AT ALL TIMES DURING INSTALLATION. CONTRACTOR SHALL:
      - BE CERTIFIED BY MANUFACTURER TO INSTALL PEX PRODUCT (WHEREVER TRAINING AND CERTIFICATION IS AVAILABLE).
      - HAVE A MINIMUM OF 5 YEARS DIRECT EXPERIENCE INSTALLING PEX MANUFACTURER'S PRODUCT.
      - PROVIDE CERTIFICATIONS AND EXPERIENCE TO OWNER WITH DEDUCT-ALTERNATE BID.
    - INSTALL PER LOCAL CODE IN STRICT ACCORDANCE WITH MANUFACTURER'S REQUIREMENTS AND RECOMMENDATIONS USING TOOLS PURCHASED FROM MANUFACTURER.
    - INSTALL PEX IN A NEAT, WORKMAN-LIKE MANNER, FREE OF SUBSTANTIAL SAGS BUT WITH ENOUGH SLACK TO ALLOW FOR CONTRACTION AND EXPANSION, TO PERMIT VALVE SERVICING, ETC., AND IN ACCORDANCE WITH MANUFACTURER'S RECOMMENDATIONS, GENERALLY:
      - WITH MINIMUM BEND RADIUS PER MANUFACTURER.
      - WITH LOOP AT EACH CHANGE OF DIRECTION OF MORE THAN 90 DEGREES.
      - JOIN ACCORDING TO ASTM F 1807.
      - MAKE JOINTS USING ADAPTERS COMPATIBLE WITH MATERIALS WHEN JOINING PIPING OF DIFFERENT MATERIALS.
      - PROVIDE NON-METALLIC SLEEVES TO PROTECT PEX TUBING AT POINTS WHERE IT ENTERS AND EXITS CONCRETE SLAB FOR UNDERSLAB PIPE RUNS.
      - PROVIDE MINIMUM OF 24" OF COPPER PIPE CONNECTIONS TO WATER HEATER OR AS REQUIRED BY BOTH PEX AND WATER HEATER MANUFACTURERS OR AS REQUIRED BY AUTHORITY HAVING JURISDICTION.
    - ALL COLD AND HOT WATER LINES SHALL BE INSULATED WITH ARMAFLEX (OR EQUAL). REFER TO PLUMBING PLANS FOR THICKNESS.
    - PROVIDE VINYL-COATED HANGERS AND SUPPORTS IN COMPLIANCE WITH MSS SP-69 AND MSS SP-89 AND INSTALL IN ACCORDANCE WITH MANUFACTURER'S RECOMMENDATION OR LOCAL CODE (TYPICALLY IPC TABLE 308.5 OR UPC TABLE 3-1 AND TABLE 3-2; 32" HORIZONTAL AND 48" VERTICAL, MAXIMUM), WHICHEVER IS MORE STRINGENT.
    - MOUNT AND SUPPORT VALVES AND OTHER OPERABLE FITTINGS SECURELY WITH HANGERS AND SUPPORTS AS SPECIFIED ABOVE AND IN MANNER THAT ALLOWS ACCESSIBLE, CONVENIENT OPERATION.
    - LOCATE ALL FITTINGS IN ACCESSIBLE LOCATIONS.

**BINNERRI PRESBYTERIAN CHURCH**  
 RICHARDSON, TX  
 1301 ABRAMS RD.  
 RICHARDSON, TEXAS 75081



COPYRIGHT THESE DRAWINGS ARE THE PROPERTY OF POOLE+DRENNAN DESIGN STUDIO AND SHALL NOT BE DUPLICATED, DISCLOSED OR REUSED WITHOUT THE WRITTEN CONSENT OF POOLE+DRENNAN DESIGN STUDIO

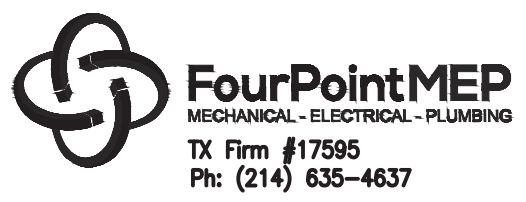
DRAWN BY: \_\_\_\_\_  
 CHECKED BY: \_\_\_\_\_  
 DATE: **04.12.2017**  
 REVISIONS: \_\_\_\_\_  
 \_\_\_\_\_  
 \_\_\_\_\_  
 \_\_\_\_\_  
 \_\_\_\_\_  
 \_\_\_\_\_

PROJECT NO.: **16054**

SHEET TITLE: **PLUMBING SCHEDULE & DETAILS**

SHEET NO.: \_\_\_\_\_

**P301**



FILE: G:\PROJECTS\FPD\PD16111 - Binnerri Church Remodel\Drawings\F301 - PDD16111.dwg  
 SCALE: 48 DATE/TIME: Apr 13, 2017 - 10:09pm  
 USER: FourPointMEP2 XREF(s): PDD16111 - ARCH - TB.dwg