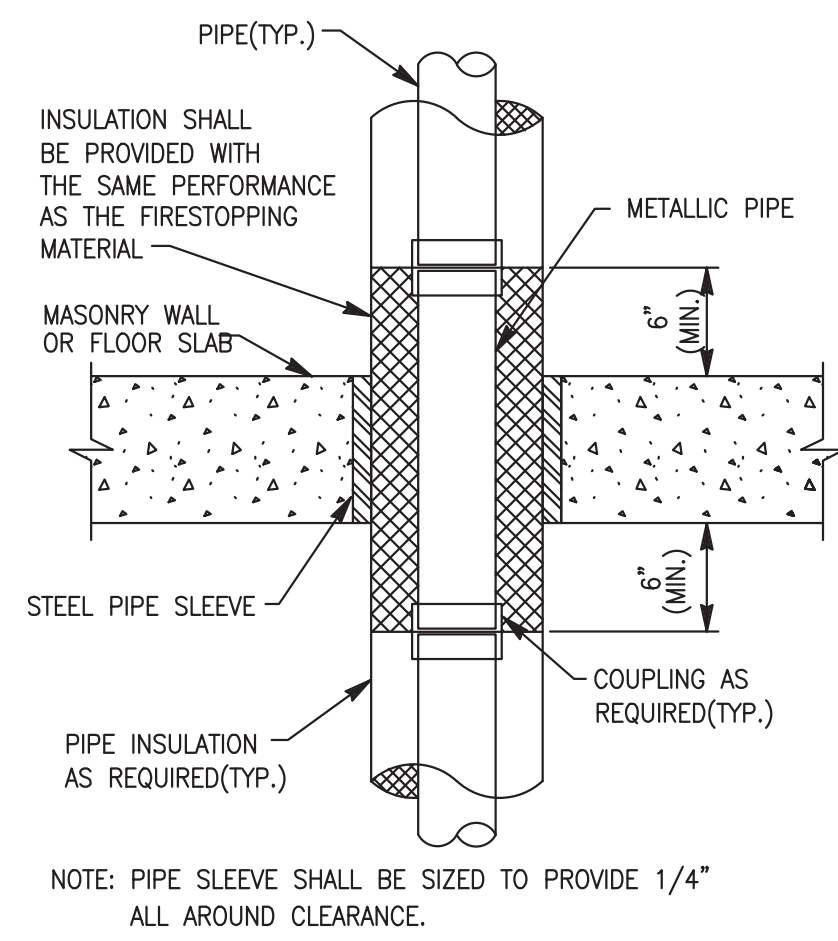
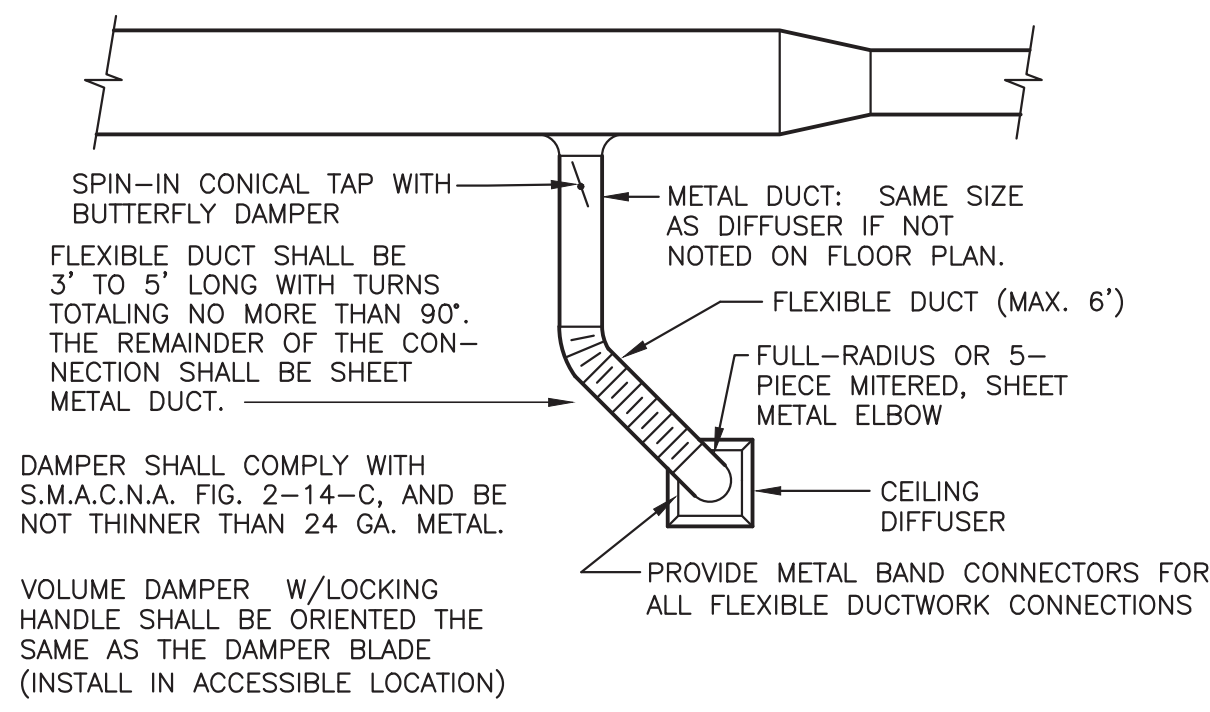


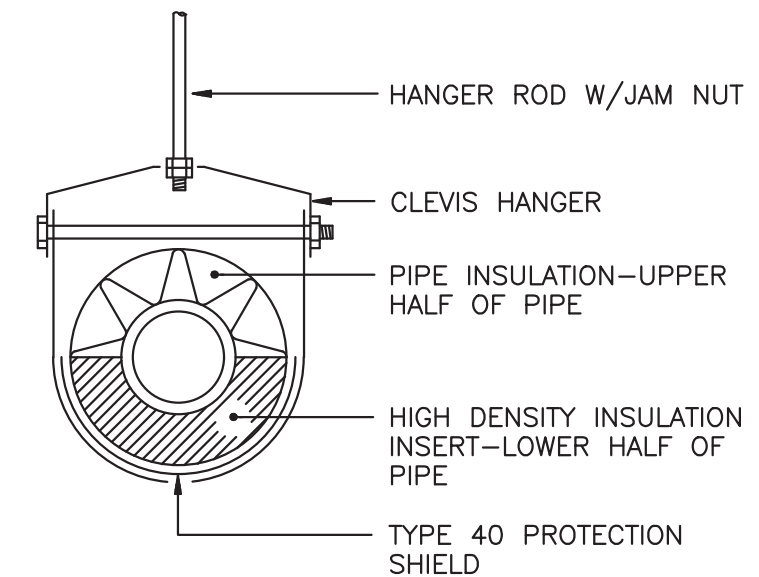
**01 DUCT PENETRATION THRU WALL**  
N.T.S.



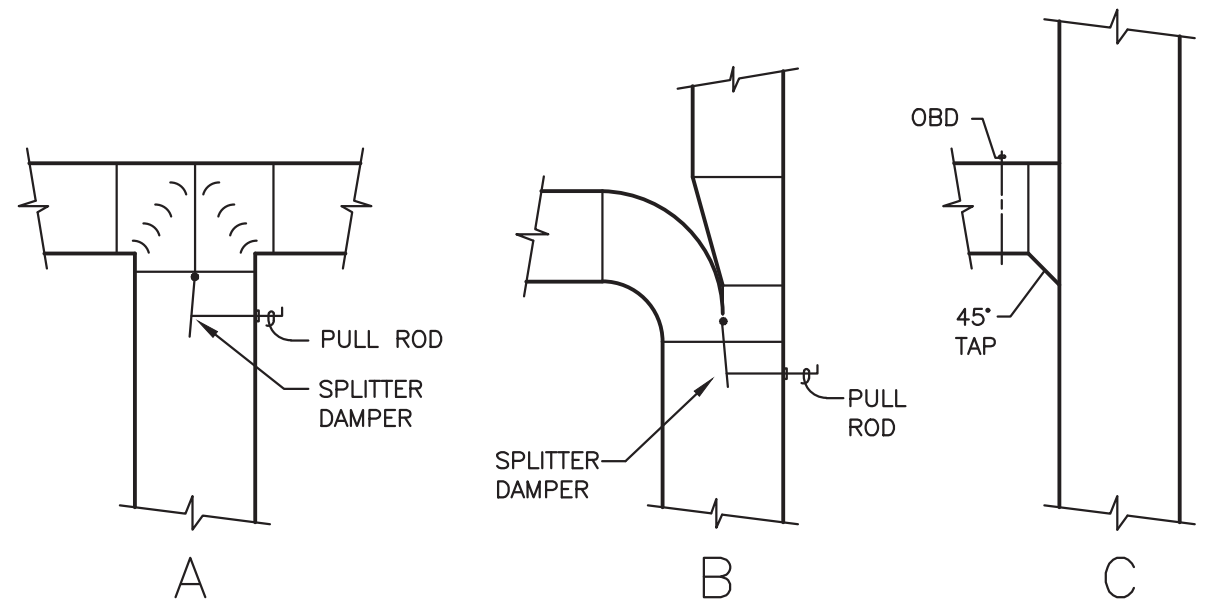
**02 CONCRETE FLOOR/WALL PENETRATION**  
N.T.S. INSULATED OR NON-INSULATED, ABOVE GRADE



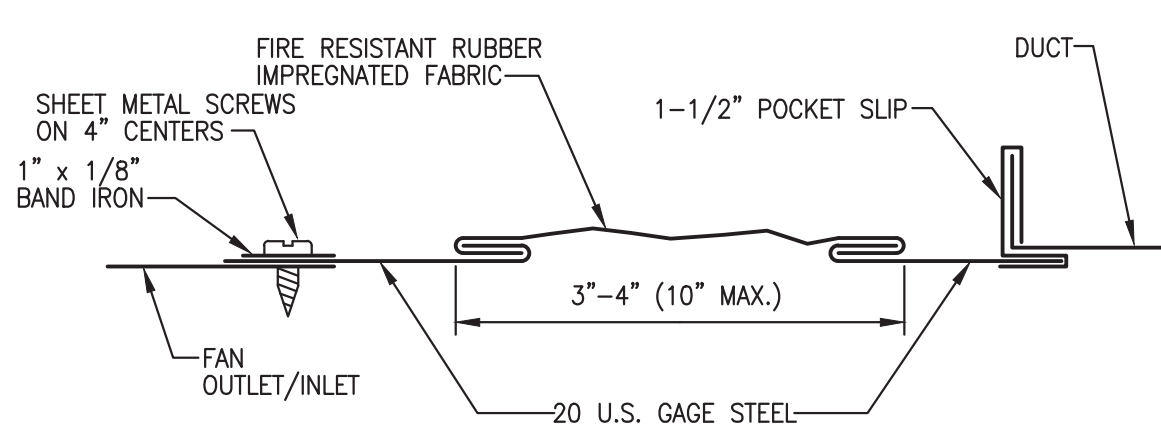
**03 DIFFUSER CONNECTION DETAIL**  
N.T.S.



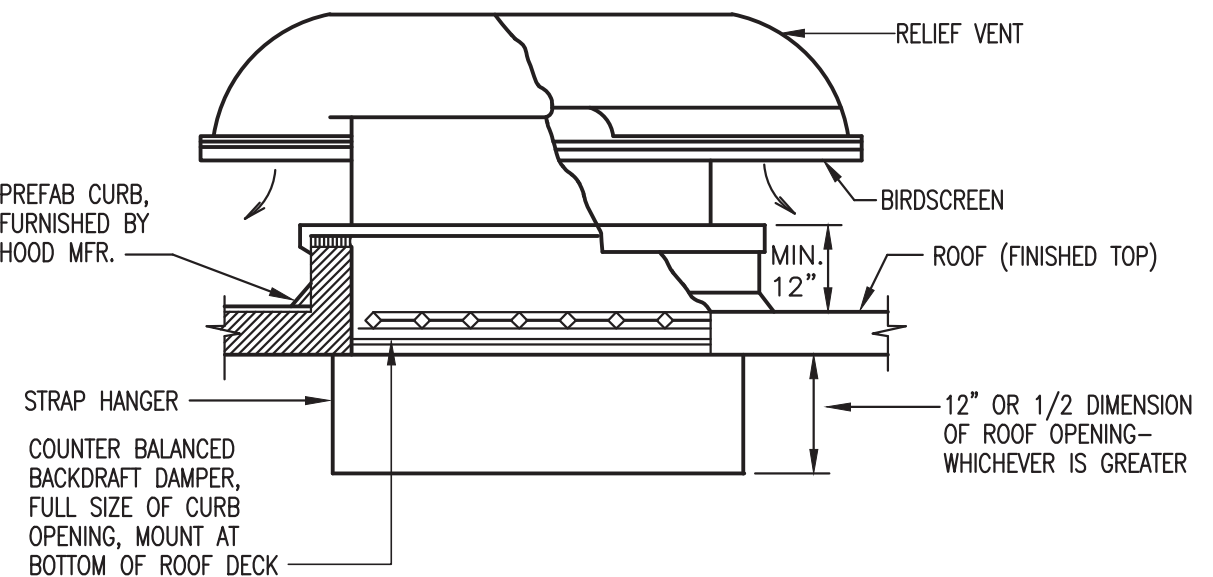
**04 HANGER DETAIL - INSULATED PIPE**  
N.T.S.



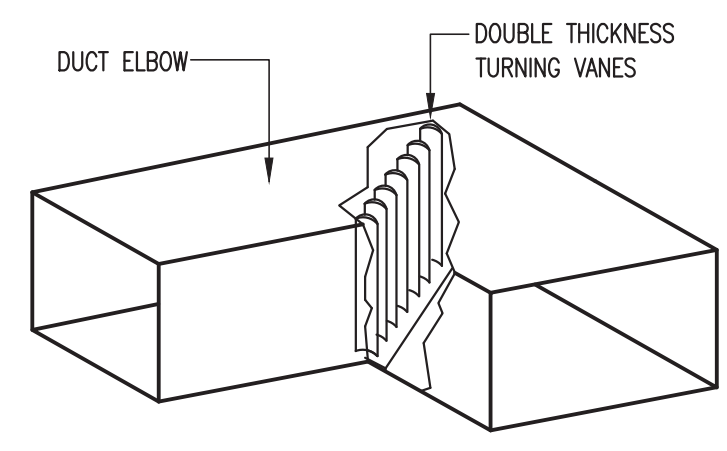
**05 TYPICAL DUCT DETAILS**  
NOTE: USE THESE METHODS U.N.O.



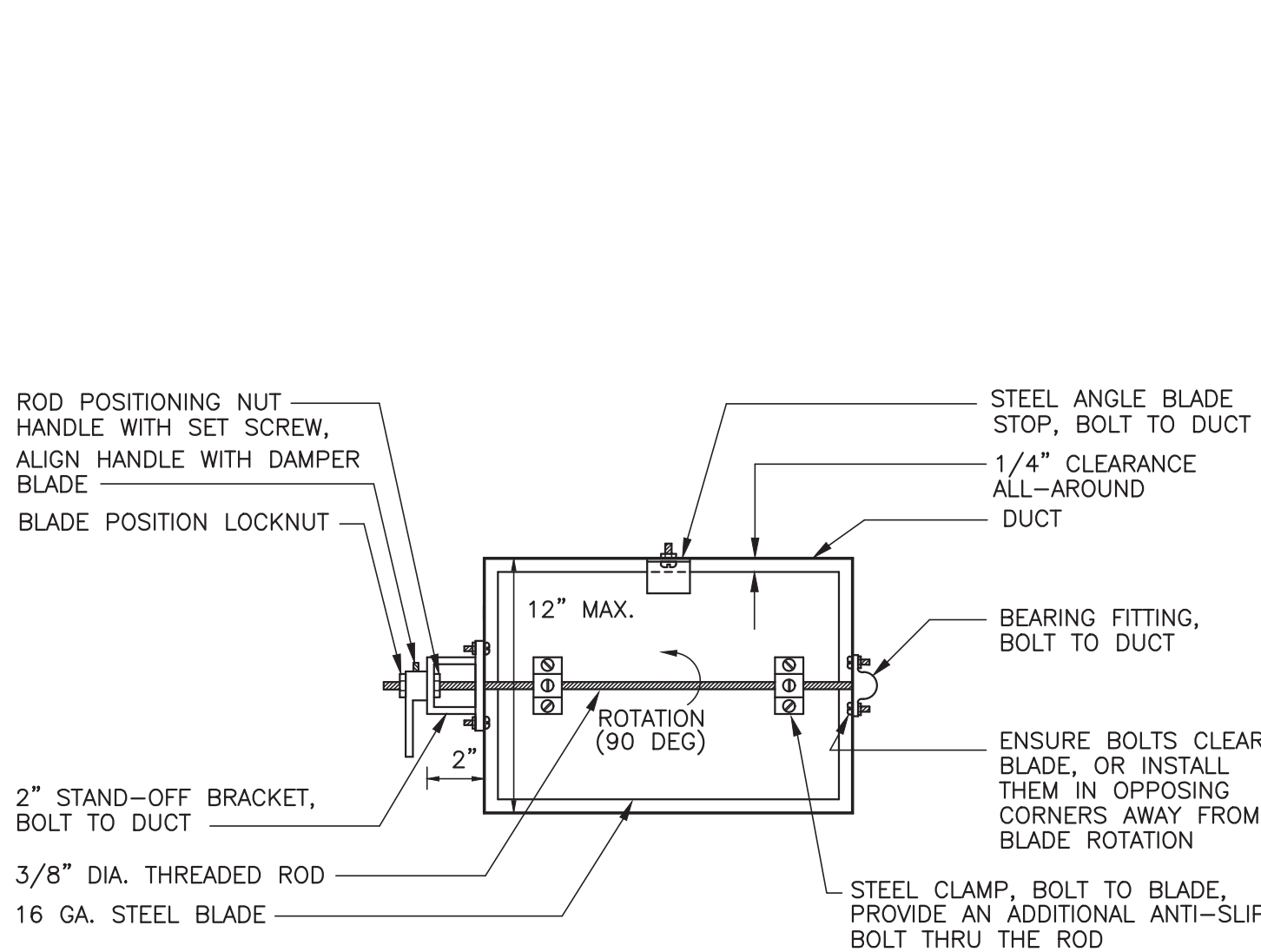
**06 FLEXIBLE CONNECTION DETAIL**  
N.T.S.



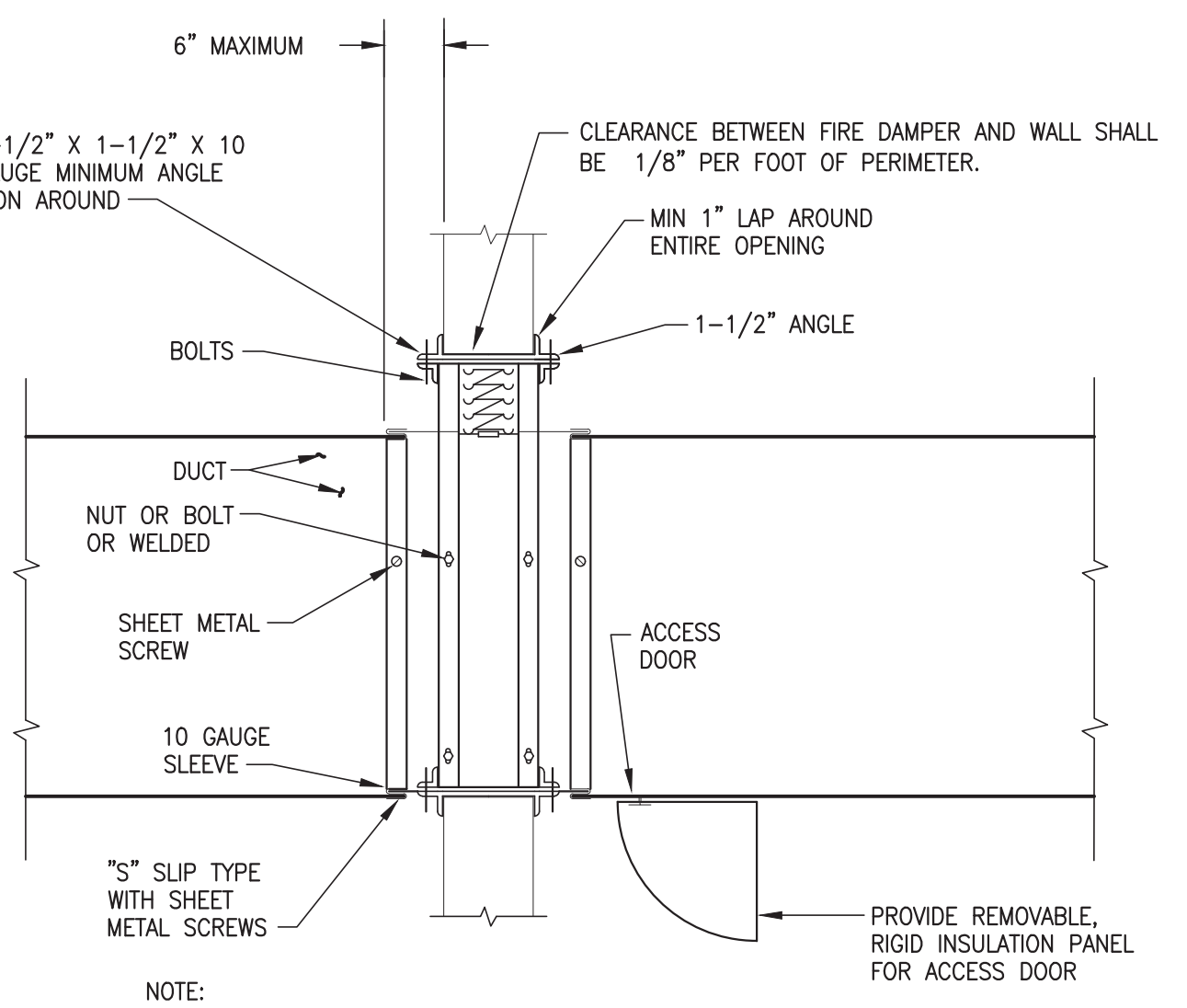
**07 TYPICAL RELIEF/INTAKE HOOD**  
N.T.S.



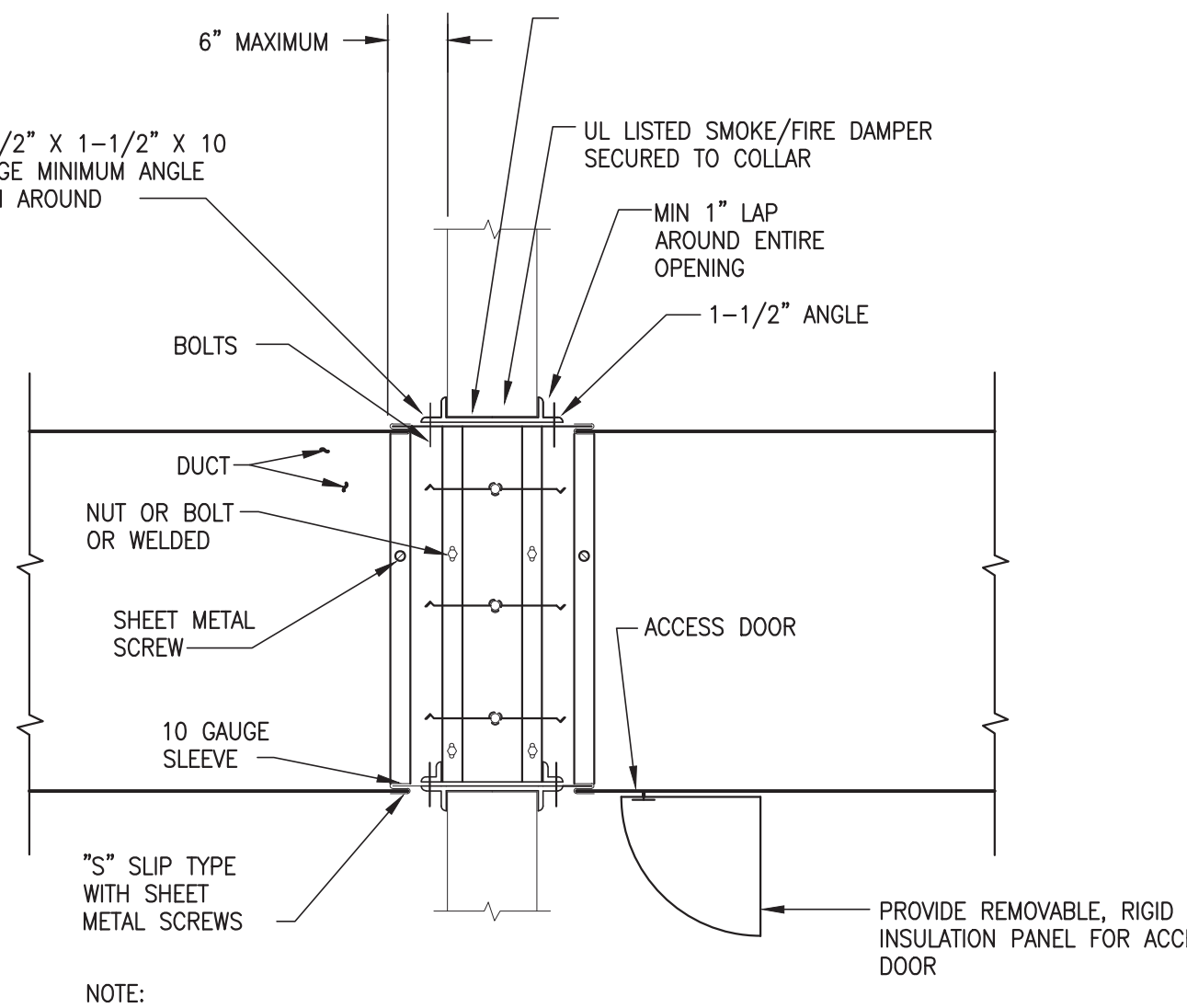
**08 MITERED ELBOW DETAIL**  
N.T.S.



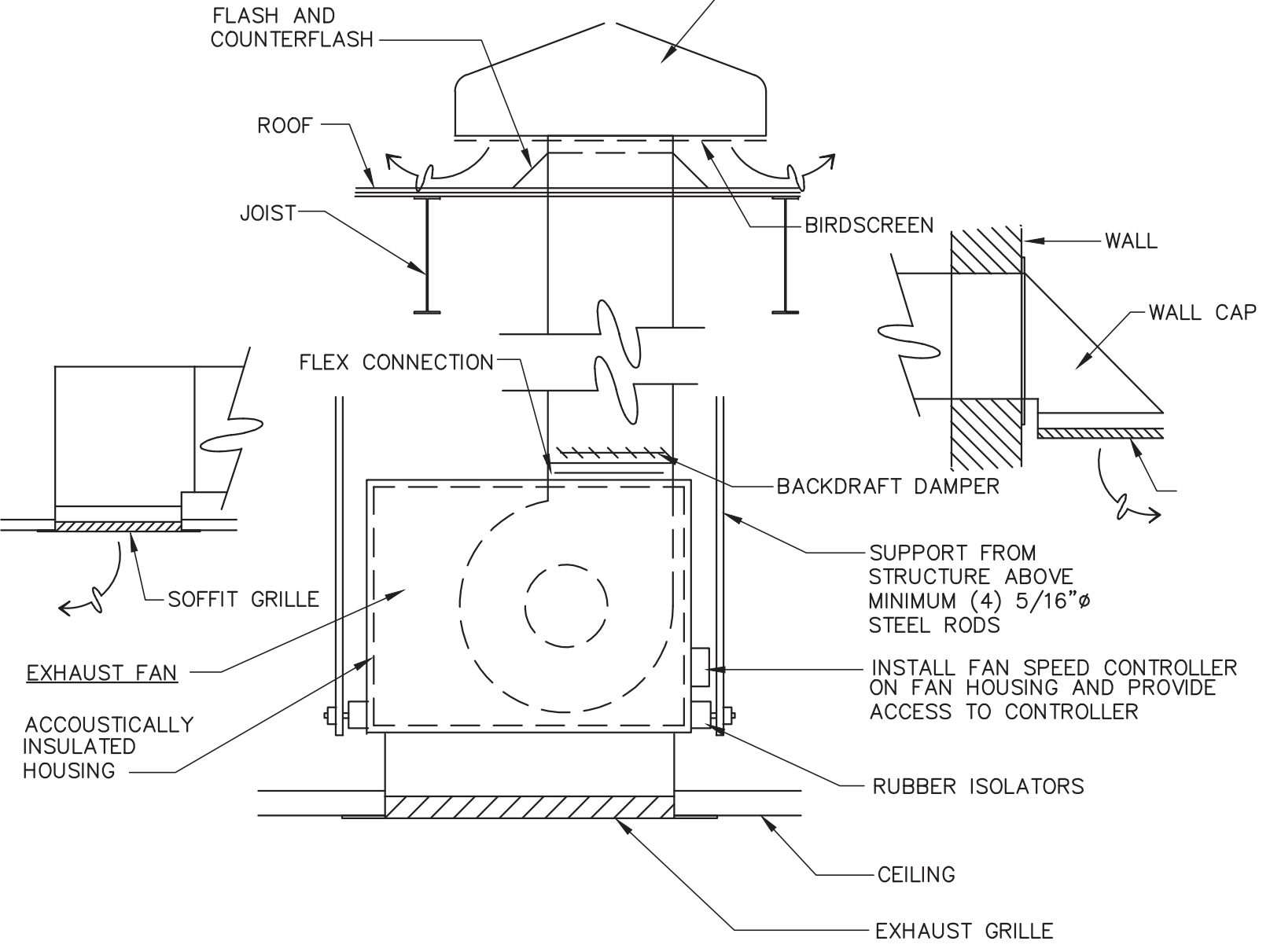
**09 MANUAL DAMPER DETAIL**  
N.T.S. (ADJUSTABLE SINGLE BLADE BALANCING TYPE)



**10 FUSIBLE LINK FIRE DAMPER DETAIL**  
N.T.S.



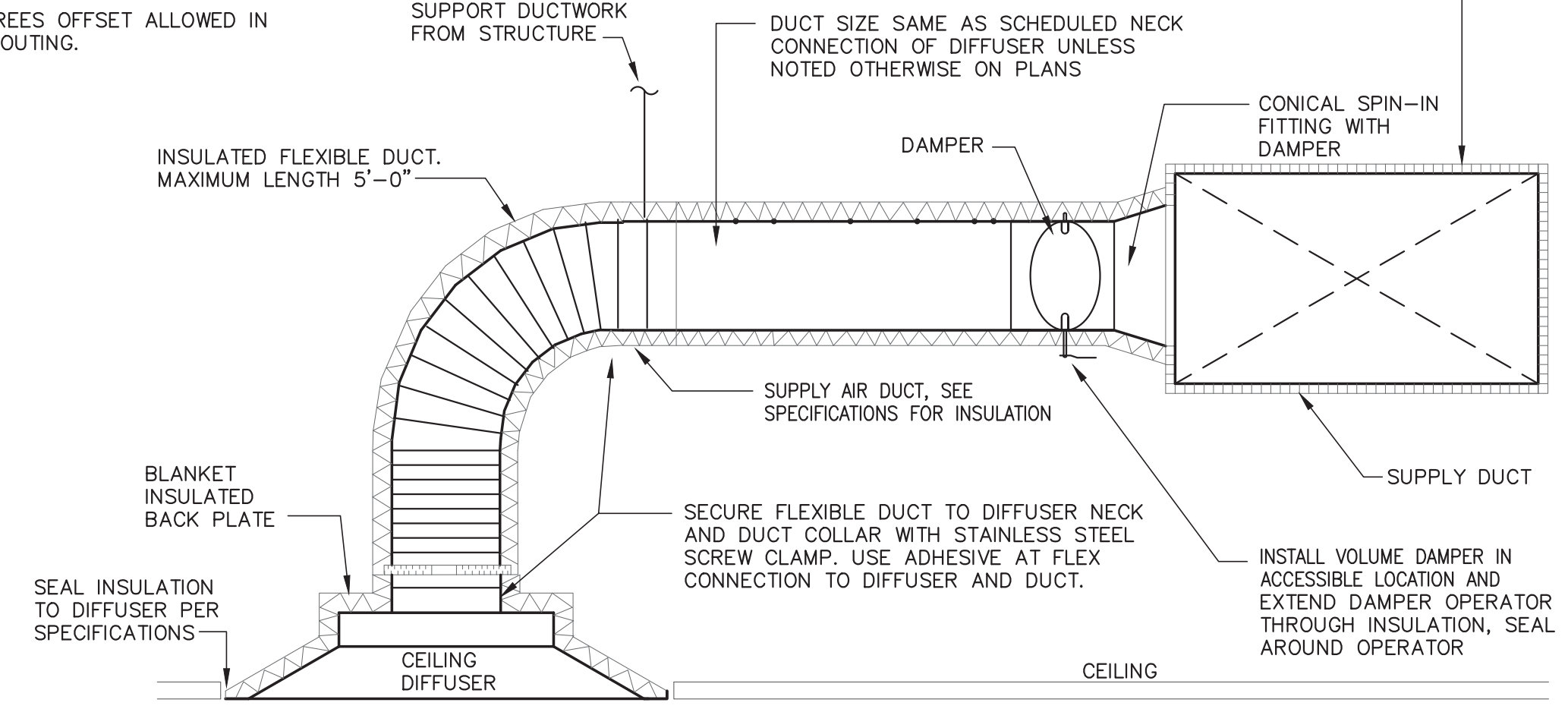
**11 SMOKE/FIRE DAMPER DETAIL**  
N.T.S.



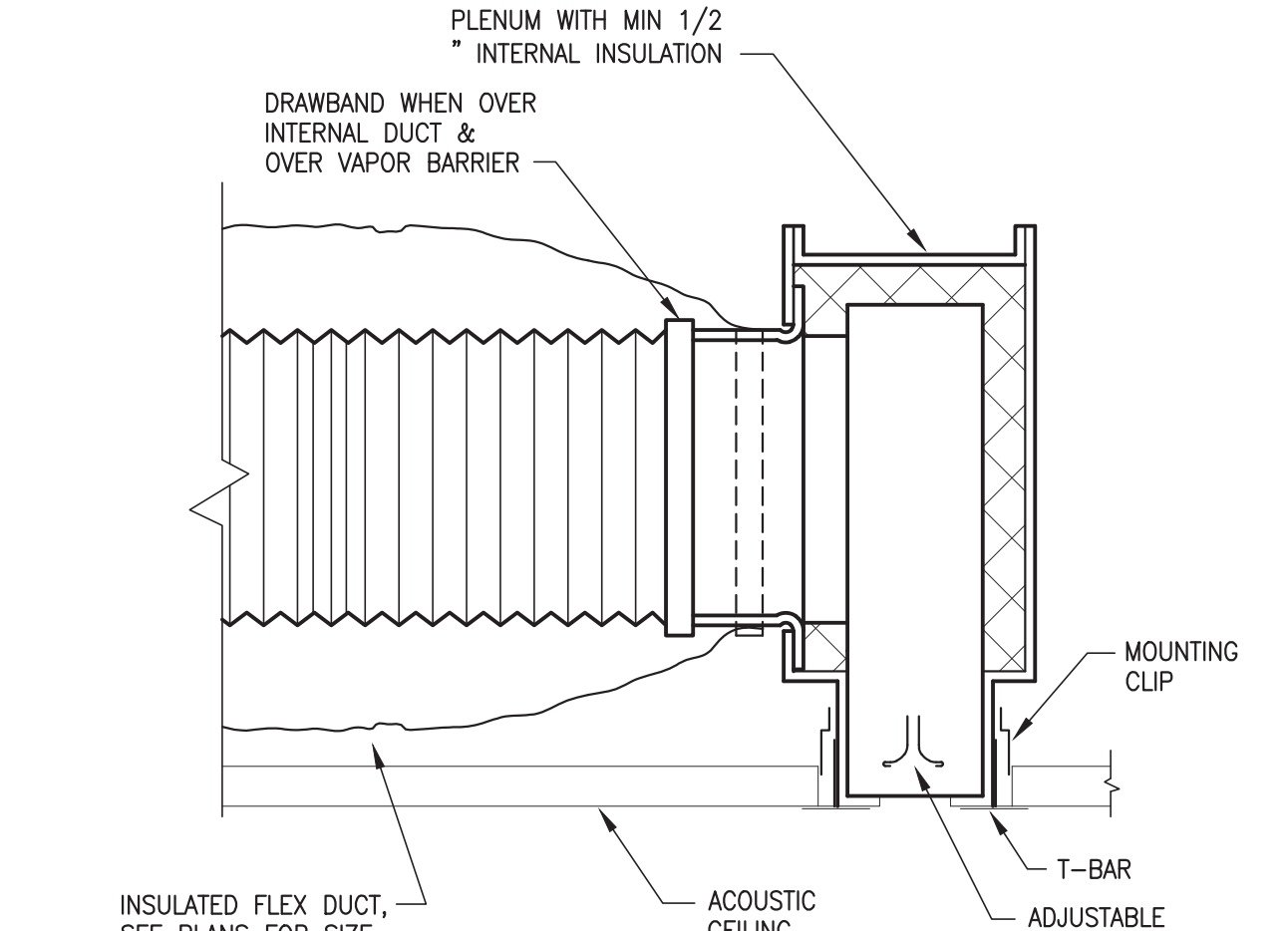
**12 CEILING MOUNTED EXHAUST FAN DETAIL**  
N.T.S.

NOTES:

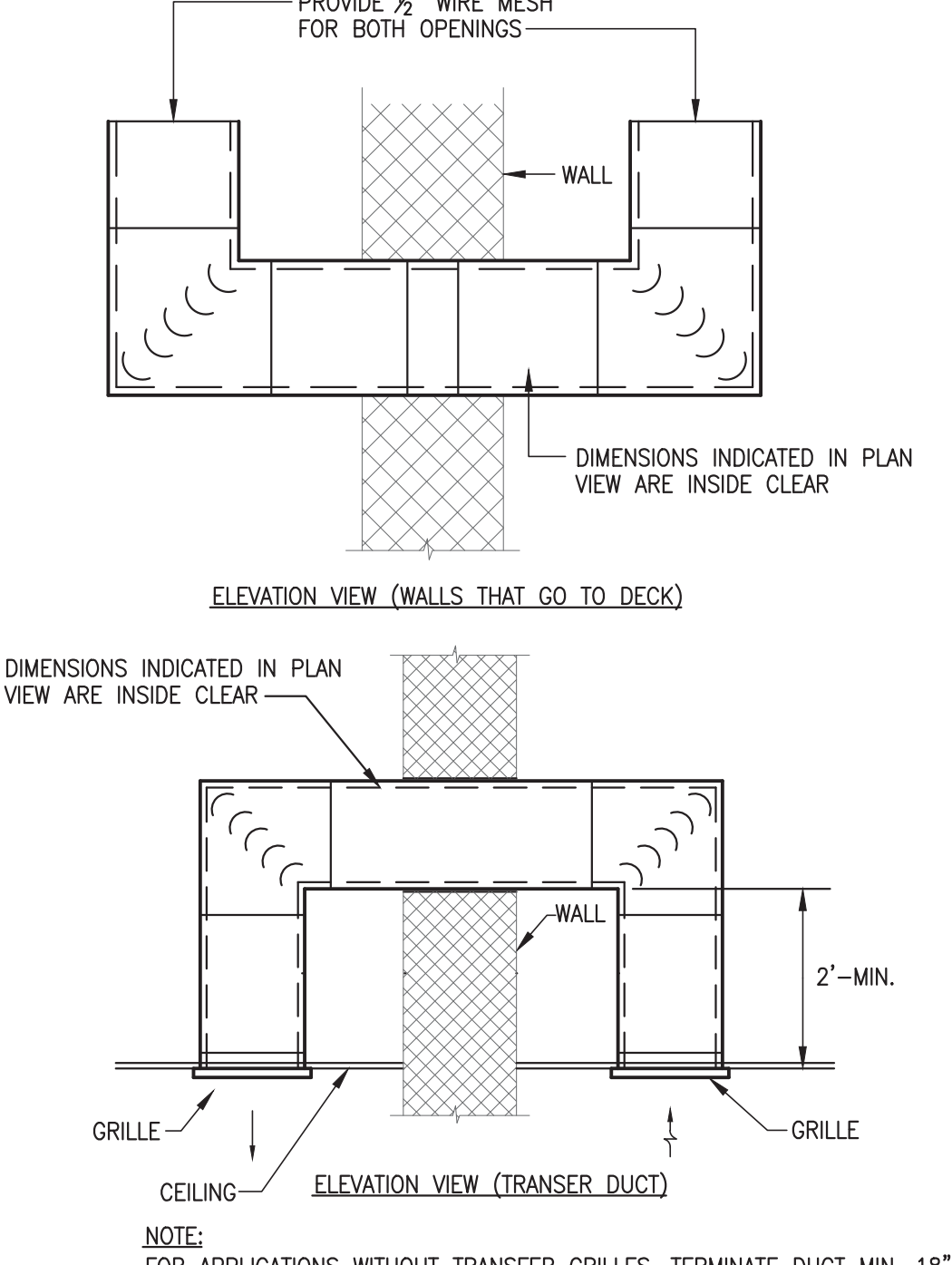
1. SEAL ALL JOINTS PER SPECIFICATIONS.
2. FLEX DUCT SAG LIMITED TO 1/2" PER FOOT.
3. MAX 30 DEGREES OFFSET ALLOWED IN FLEX DUCT ROUTING.



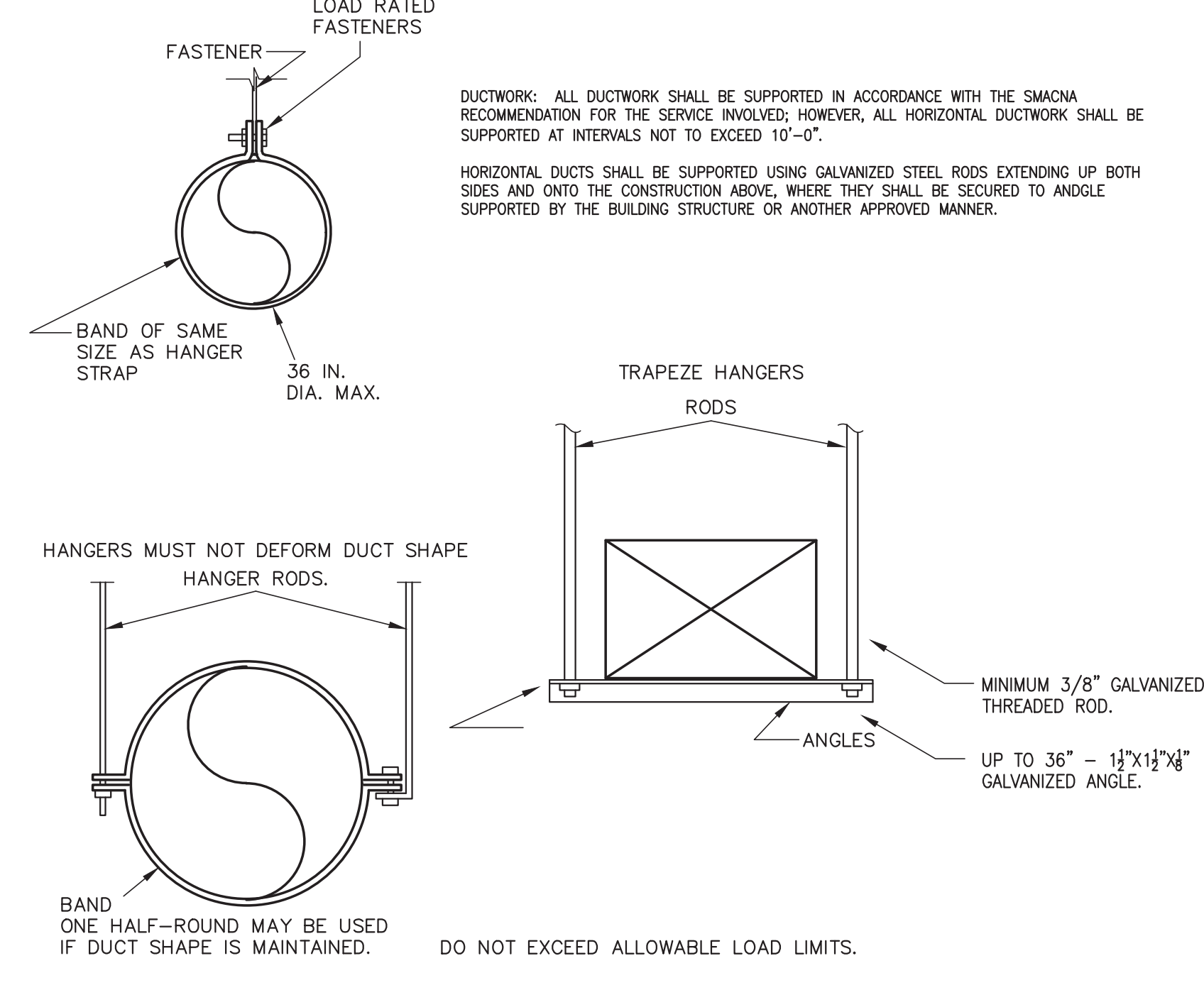
**13 DIFFUSER CONNECTION DETAIL**  
N.T.S.



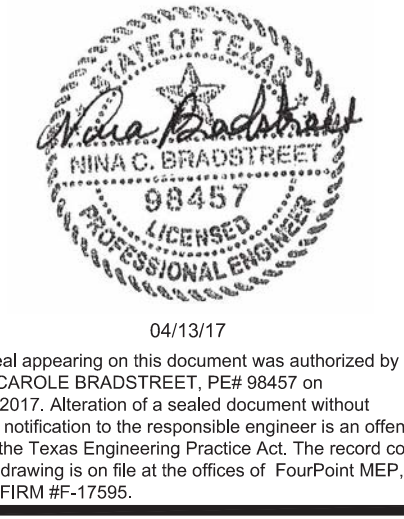
**14 LINEAR SLOT DETAIL**  
N.T.S.



**15 TRANSFER DUCT DETAILS**  
N.T.S.



**16 DUCT HANGING DETAILS**  
N.T.S.



The seal appearing on this document was authorized by Michael C. Drennan, State of Texas, License No. 9845, Mechanical Engineering. This seal is not to be used for any other purpose without the written consent of Michael C. Drennan, State of Texas, License No. 9845, Mechanical Engineering.

**BINNERI PRESBYTERIAN CHURCH**  
RICHARDSON, TX  
1301 ABRAMS RD.  
ROCHARDSON, TEXAS 75081



COPYRIGHT THESE DRAWINGS ARE THE PROPERTY OF POOLE+DRENNAN DESIGN STUDIO AND SHALL NOT BE DUPLICATED, DISCLOSED OR REUSED WITHOUT THE WRITTEN CONSENT OF POOLE+DRENNAN DESIGN STUDIO

DRAWN BY:	
CHECKED BY:	
DATE:	04.12.2017
REVISIONS:	
PROJECT NO.:	16054
SHEET TITLE:	

**MECHANICAL DETAILS**

SHEET NO.:  
**M301**



FILE: G:\PROJECTS\FDD\1611 - Binneri Church Remodel\Drawings\M301 - FDD1611.dwg  
SCALE: 2 DATE/TIME: Apr 13, 2017 9:24am  
USER: FourPointMEP3 XREF(g): PDD1611 - ARCH - TB.dwg