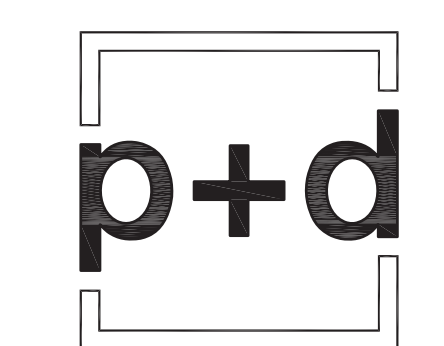


BINNERI PRESBYTERIAN CHURCH
RICHARDSON, TX
 1301 ABRAMS RD.
 ROCHARDSON, TEXAS 75081



poole+drennan
 design studio
 9311 N Edgerfield Ave
 Dallas, Texas 75208
 PH: 972.707.0104
 info@poole+drennan.com

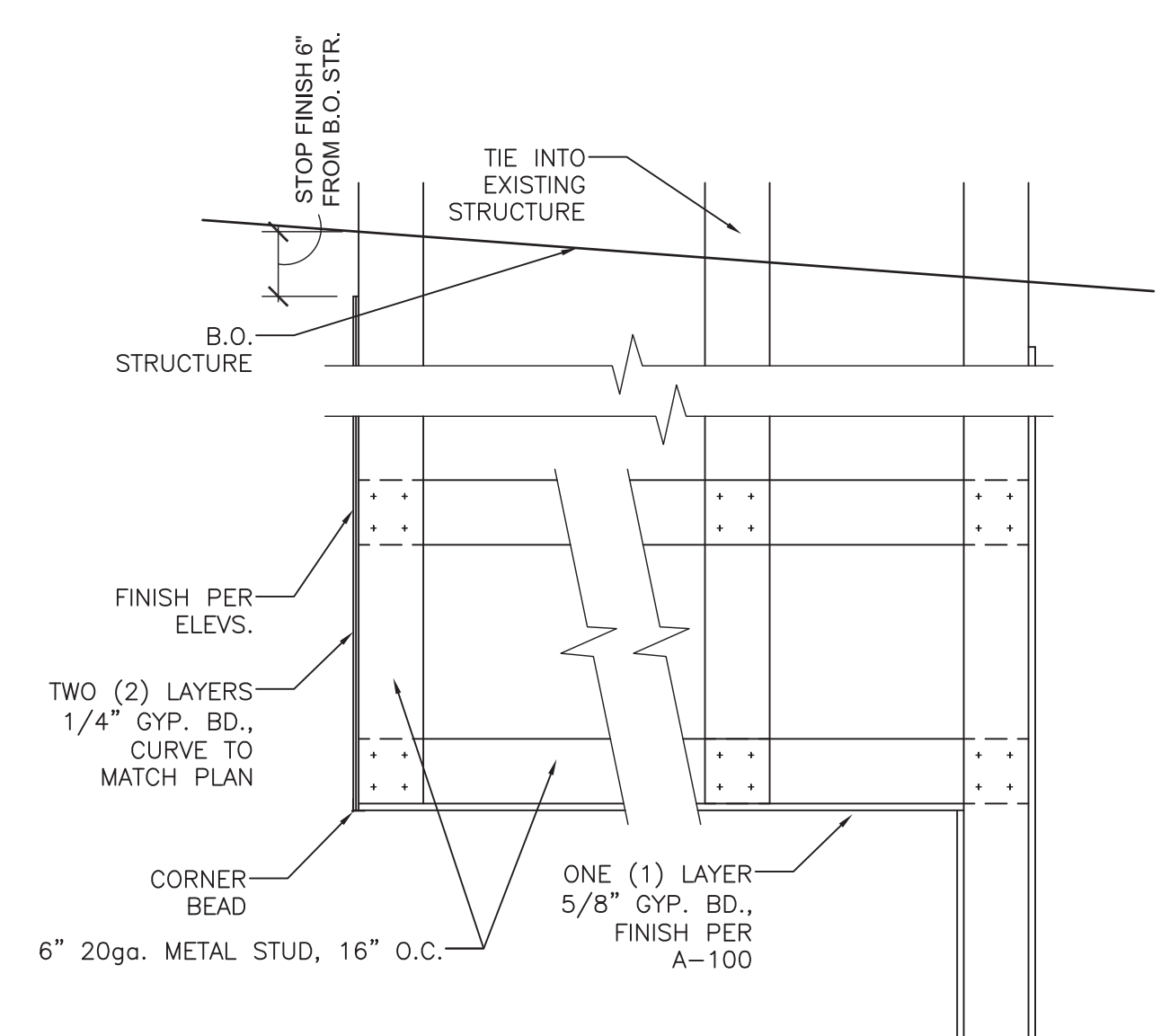
COPYRIGHT
 THESE DRAWINGS ARE THE PROPERTY OF
 POOLE+DRENNAN DESIGN STUDIO AND
 SHALL NOT BE DUPLICATED, DISCLOSED OR
 REUSED WITHOUT THE WRITTEN CONSENT
 OF POOLE+DRENNAN DESIGN STUDIO

DRAWN BY: KJC
 CHECKED BY: DAD
 DATE: 04.12.2017
 REVISIONS:
 CITY COMMENTS 06.12.2017

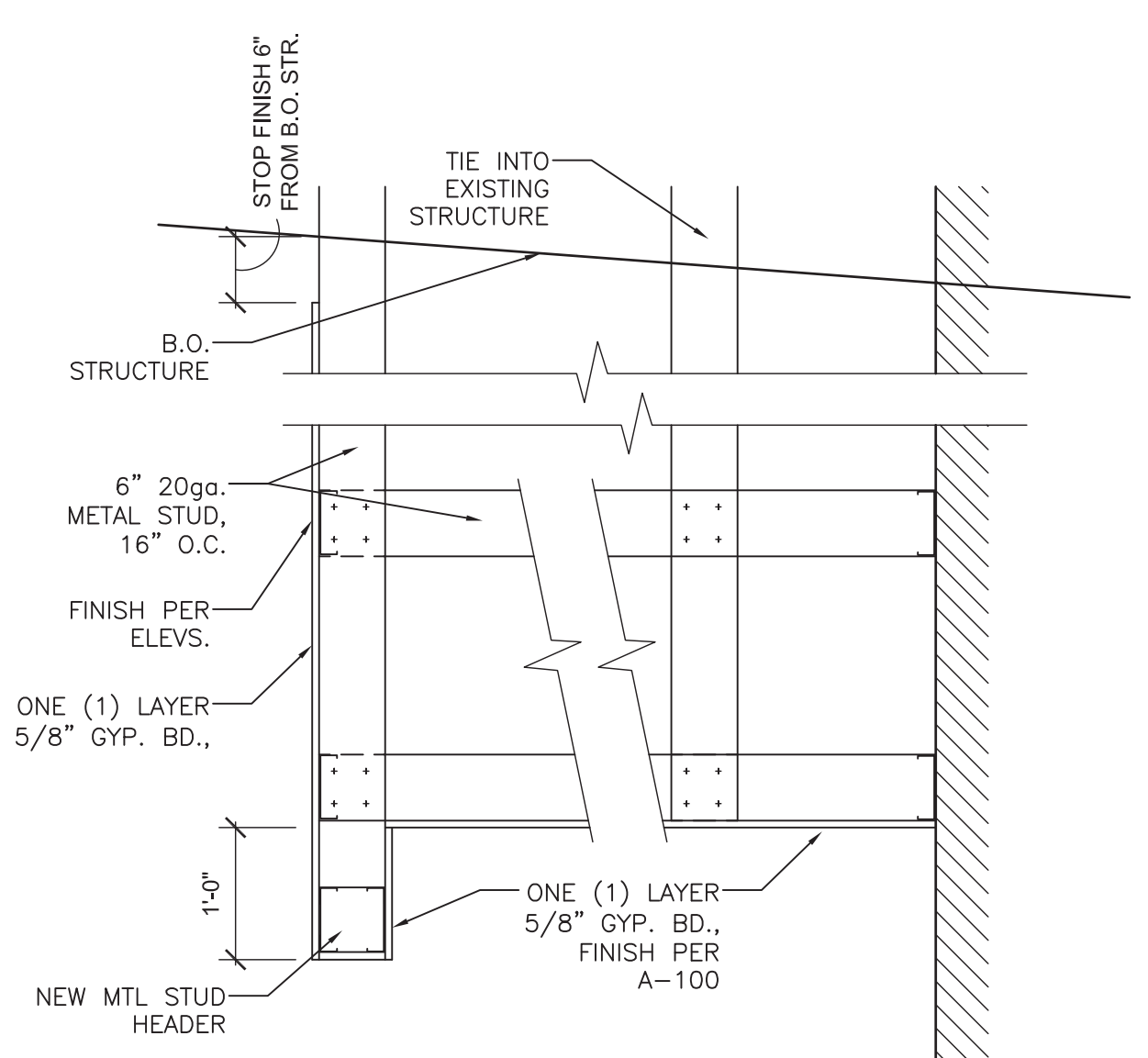
PROJECT NO.: 16054
 SHEET TITLE:

SECTIONS & DETAILS

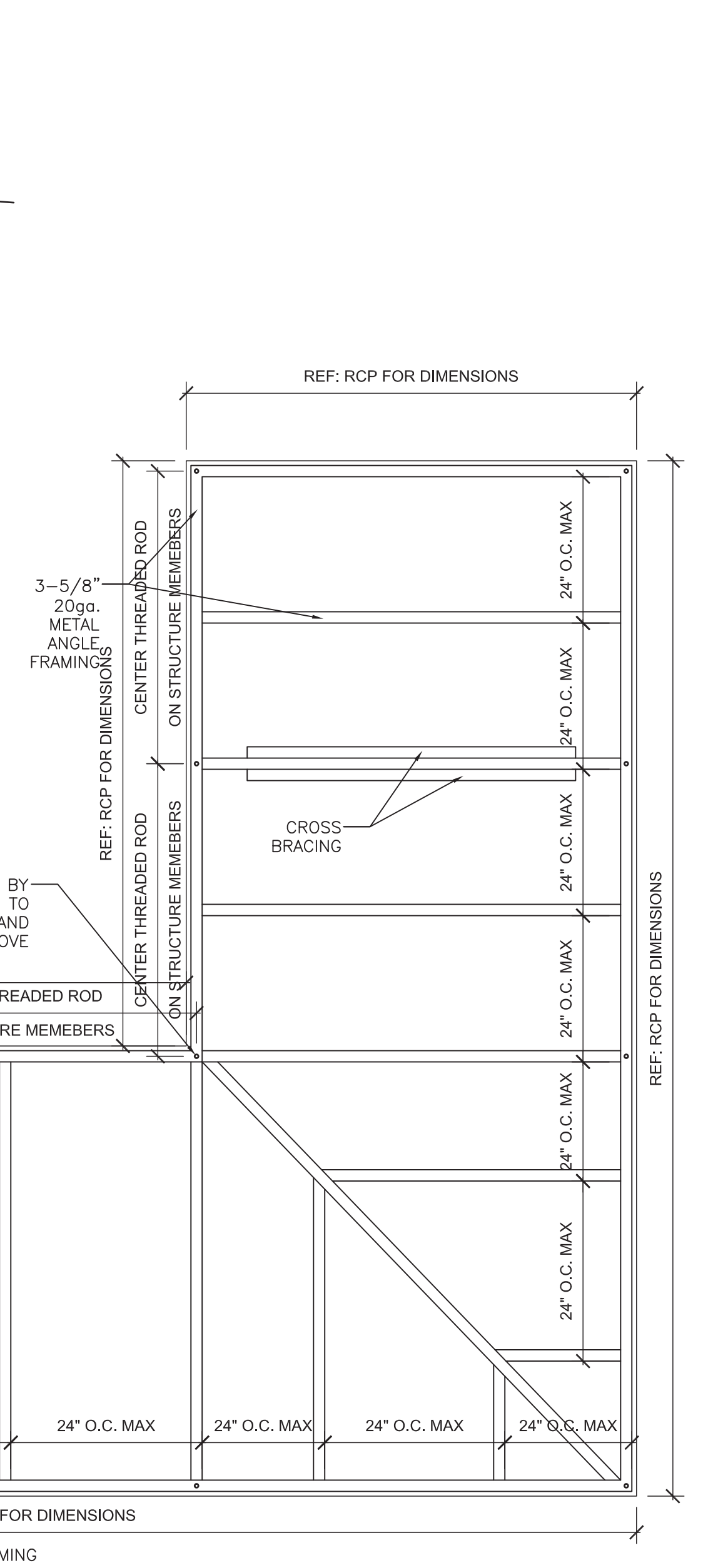
SHEET NO.: A-141



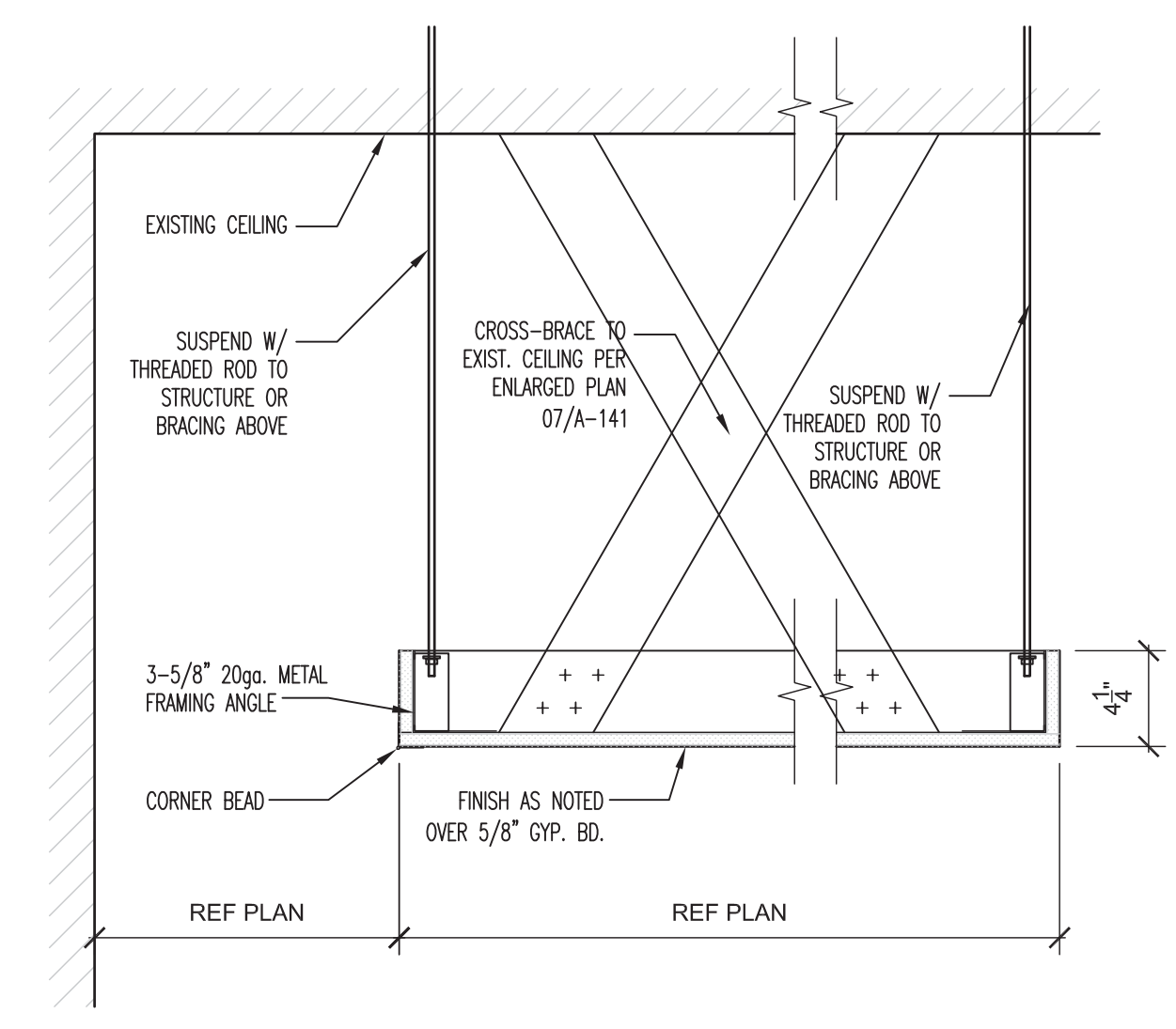
11 ELEMENTARY STAGE SOFFIT
 3/4" = 1'-0"



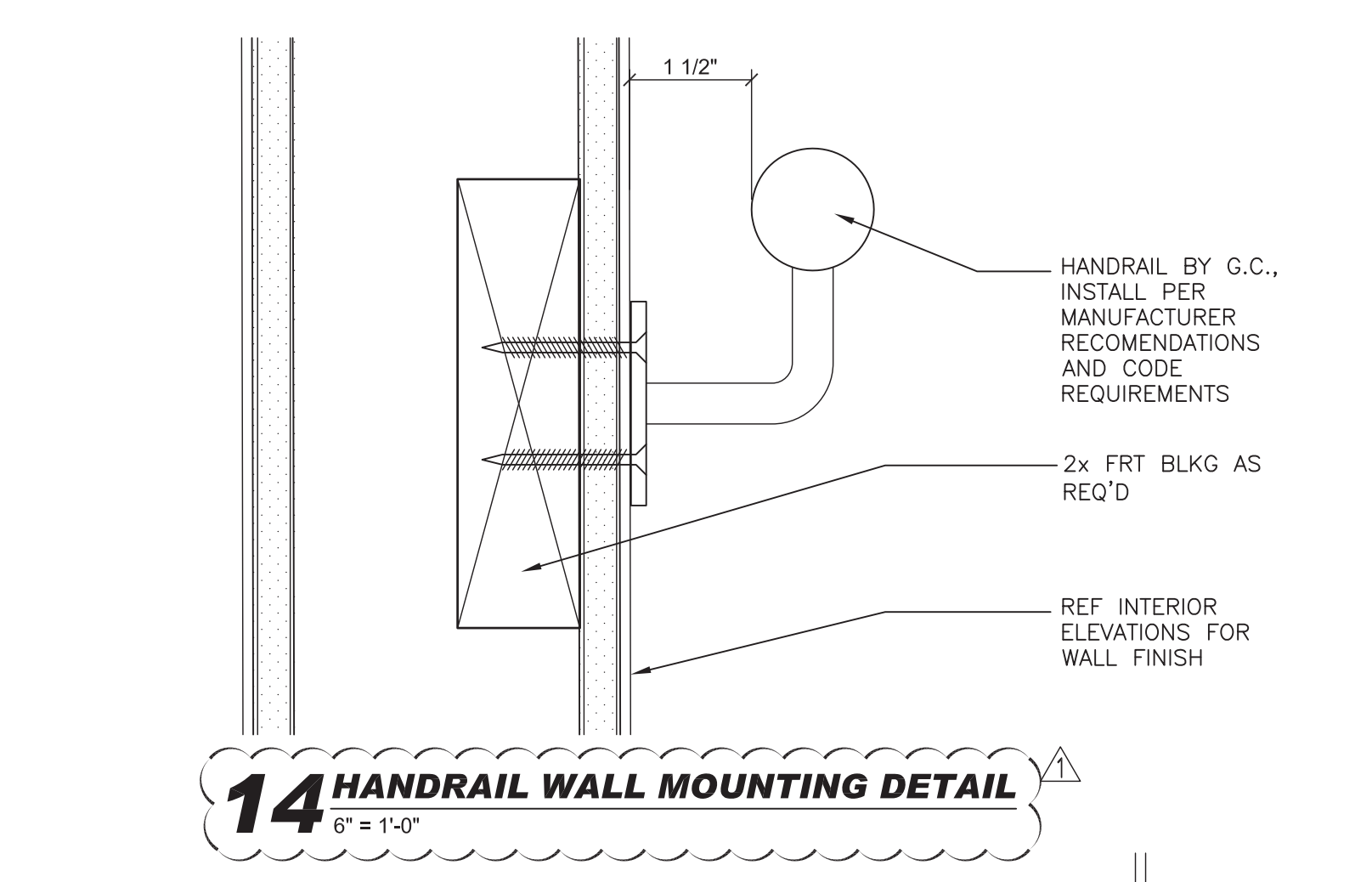
12 YOUTH STUDY NICHE SOFFIT
 3/4" = 1'-0"



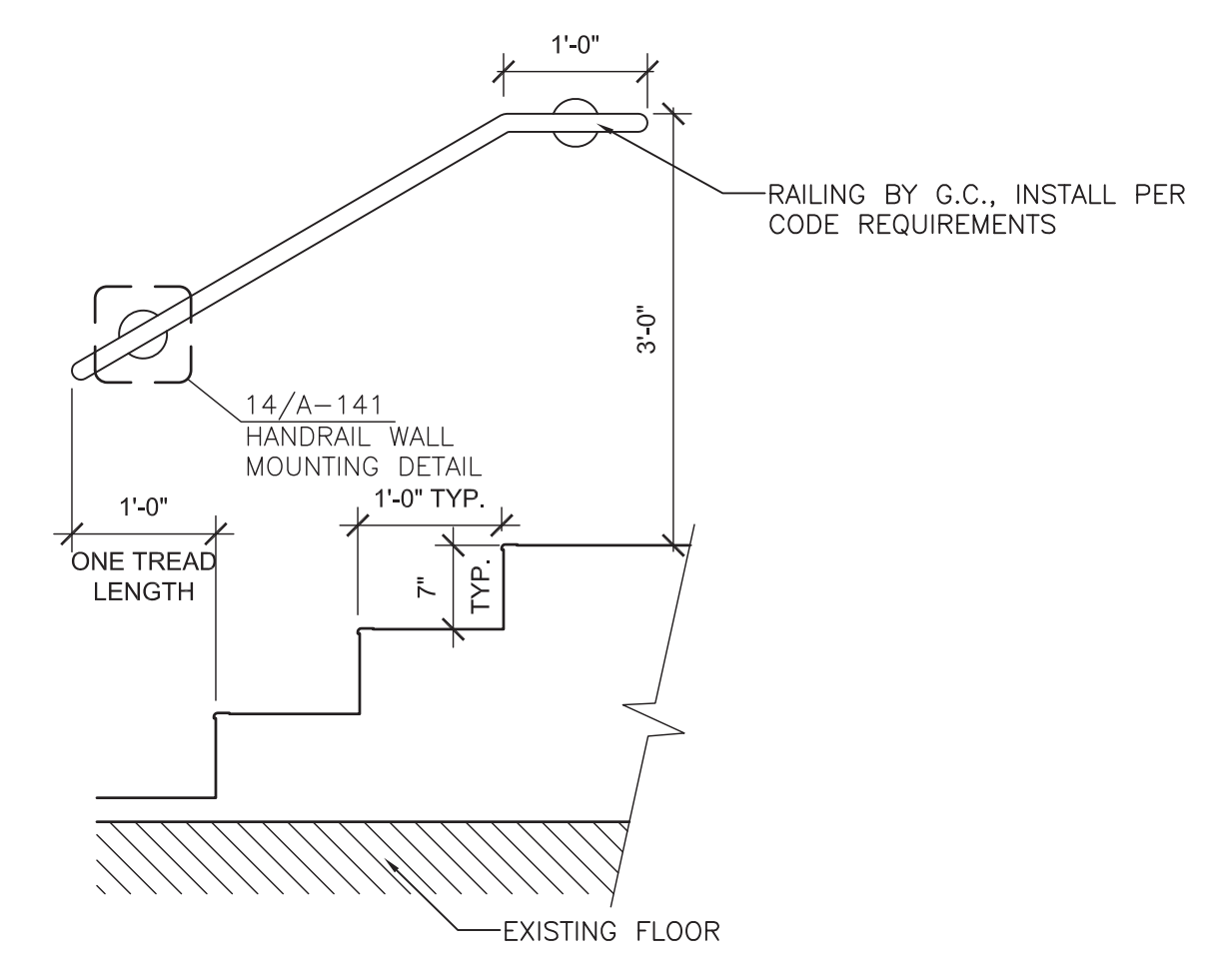
07 ENLARGED CLOUD PLAN
 3/4" = 1'-0"



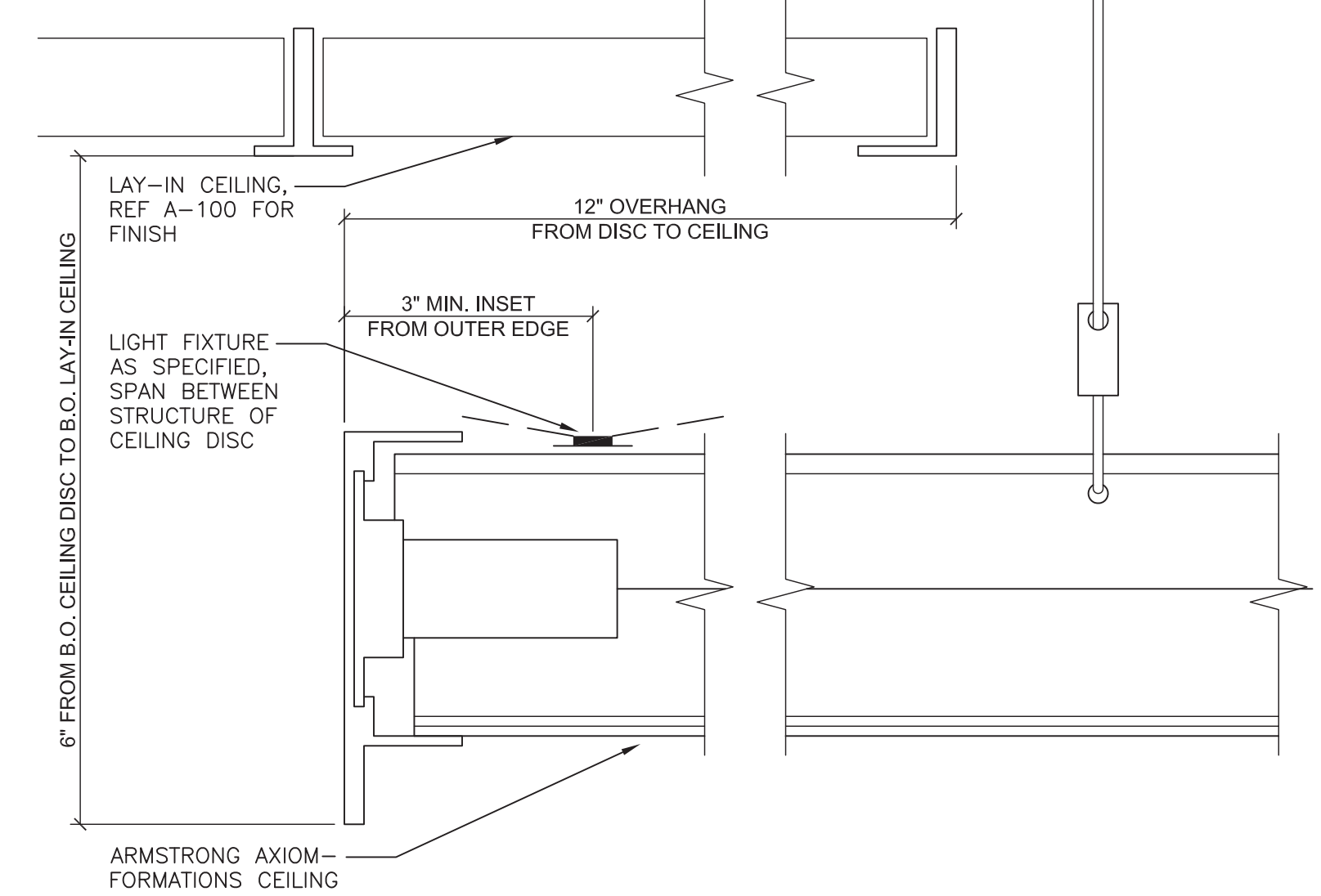
06 ENGLISH MINISTRY CEILING DTL
 SCALE: 1-1/2" = 1'-0"



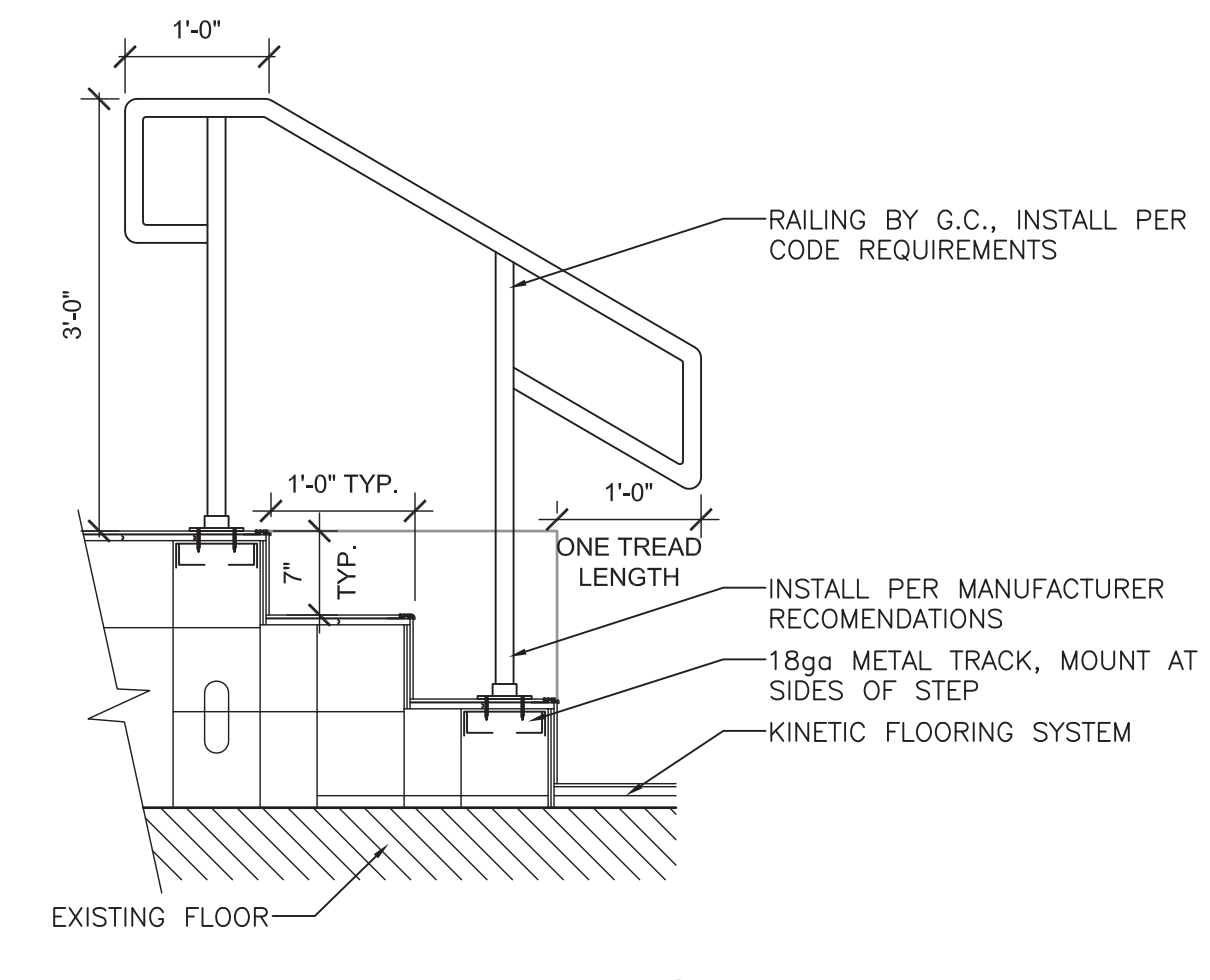
14 HANDRAIL WALL MOUNTING DETAIL
 6" = 1'-0"



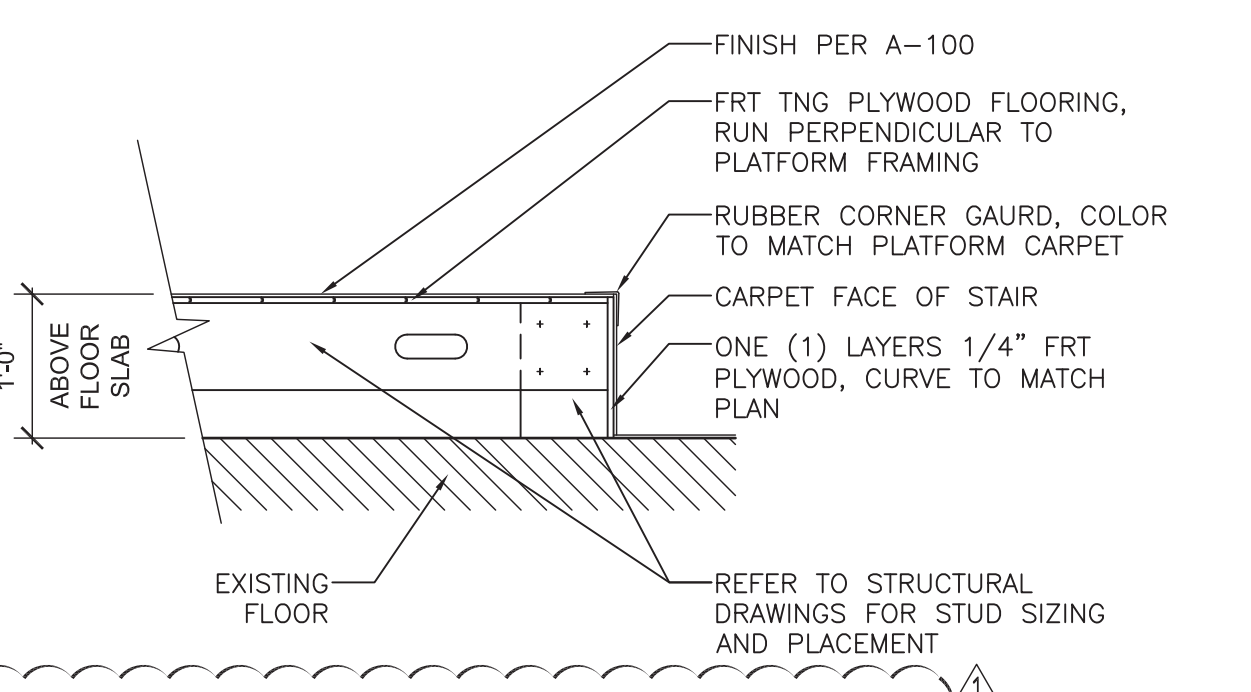
15 HANDRAIL MOUNTING
 3/4" = 1'-0"



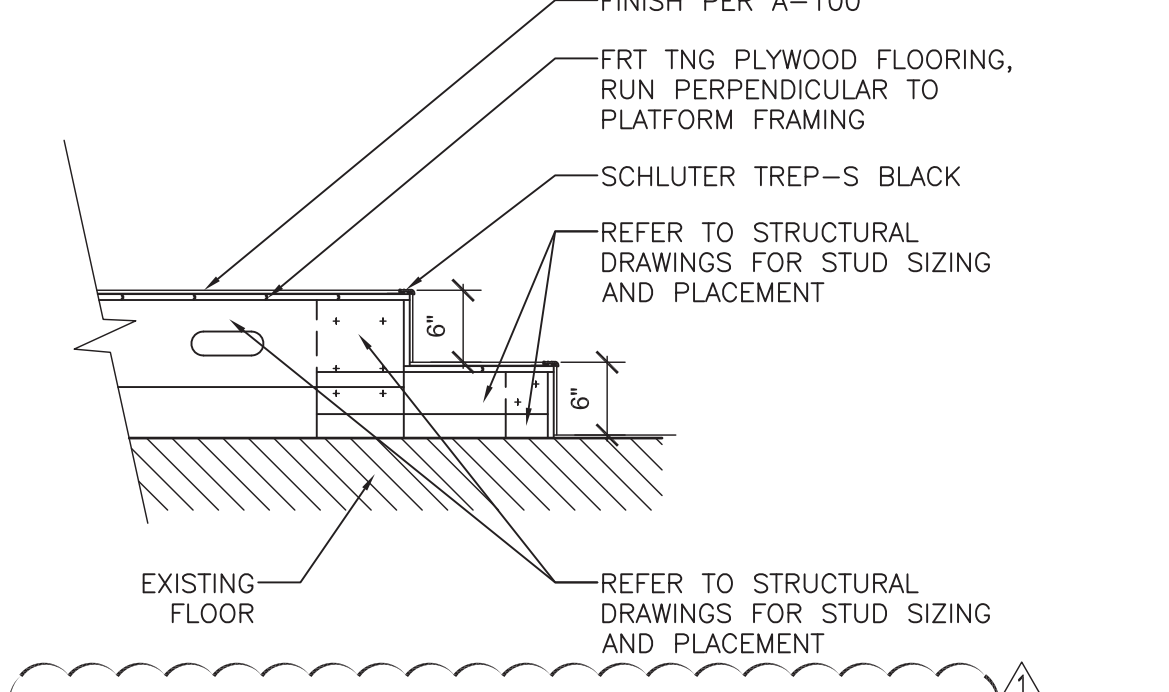
09 CEILING DISC DETAIL
 1-1/2" = 1'-0"



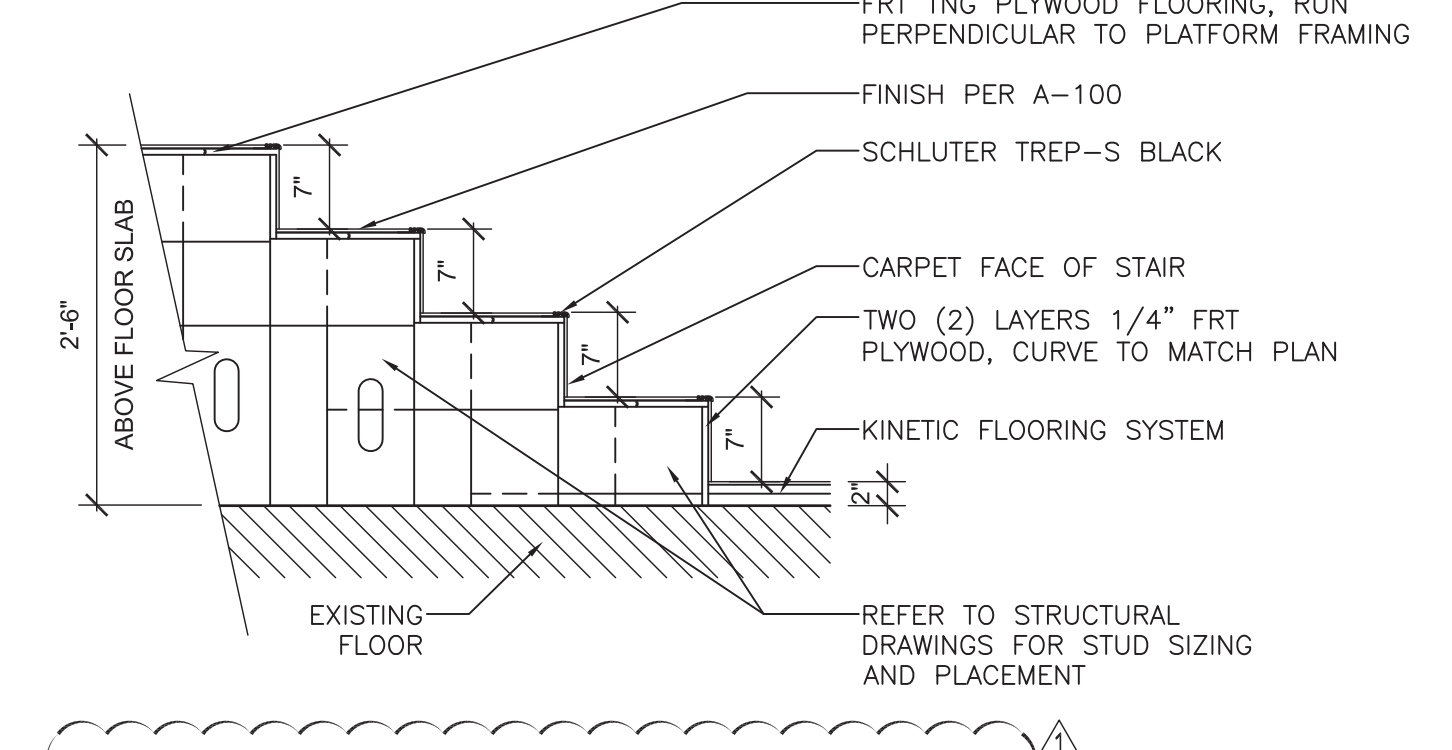
10 HANDRAIL MOUNTING
 3/4" = 1'-0"



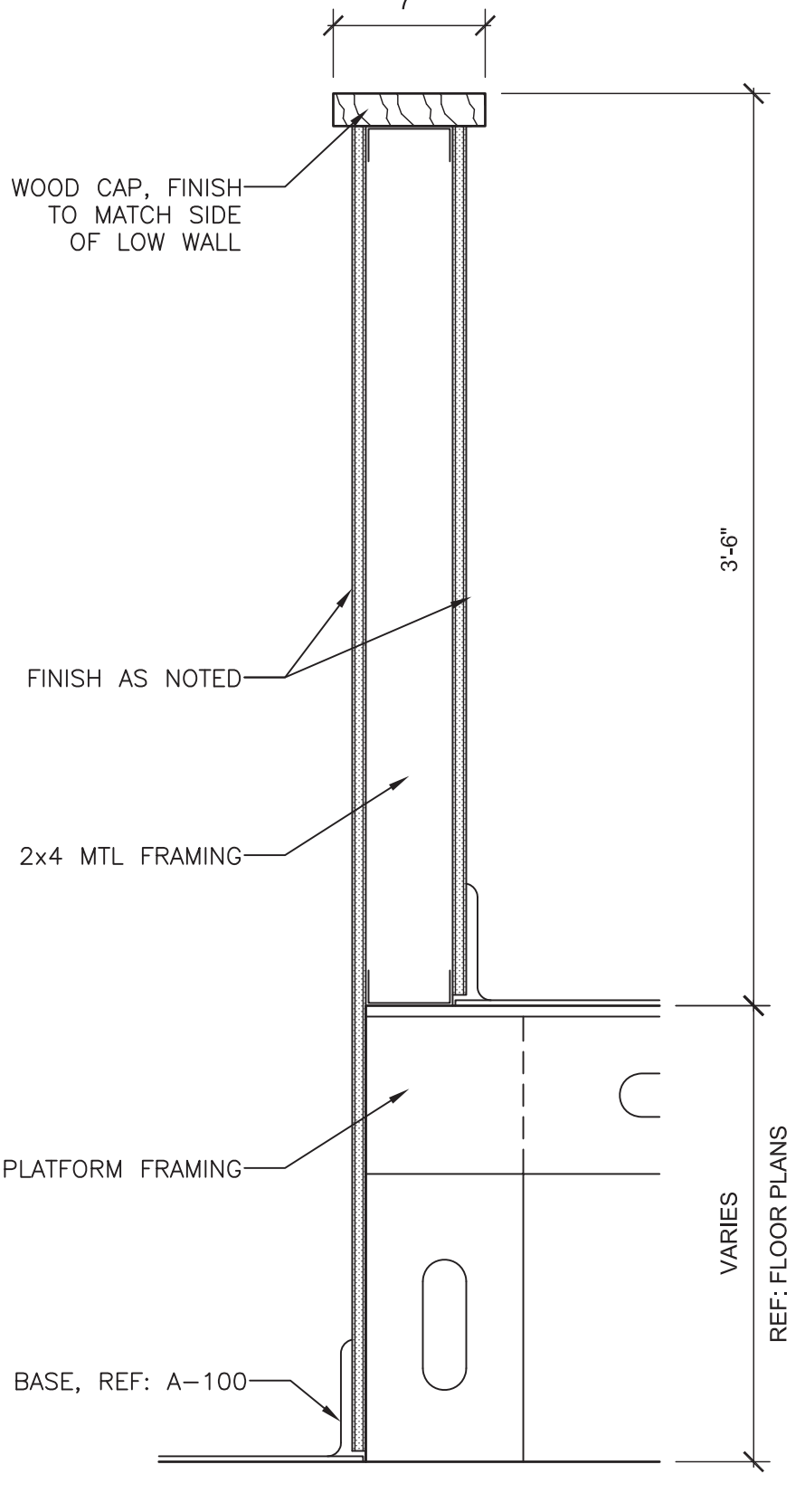
01 AVL PLATFORM
 3/4" = 1'-0"



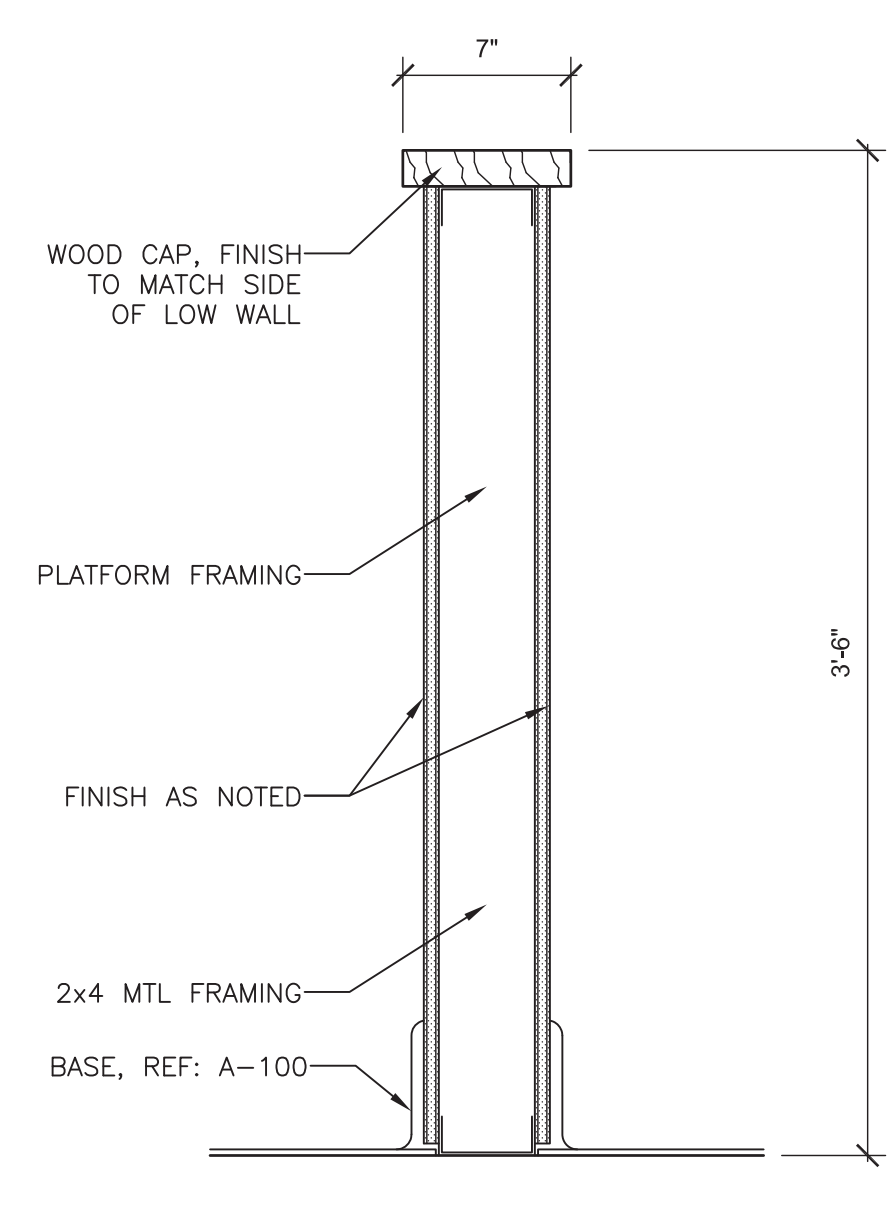
02 AVL PLATFORM STAIR SECTION
 3/4" = 1'-0"



03 AVL PLATFORM STAIR SECTION
 3/4" = 1'-0"



04 AVL PLATFORM LOW WALL DETAIL
 1-1/2" = 1'-0"



05 AVL LOW WALL DETAIL
 1-1/2" = 1'-0"

FILE: P:\16054 Binneri Church Remodel\05_CAV_Drawings\2017.06.12 Delta 1 - Comment Responses\A-141.dwg
 SCALE: 1 DATE/TIME: Jun 19, 2017 - 8:22am
 USER: Kary Cooper XREF(s): titleblock_3042.dwg