



BINNERI PRESBYTERIAN CHURCH
RICHARDSON, TX
 1301 ABRAMS RD.
 ROCHARDSON, TEXAS 75081



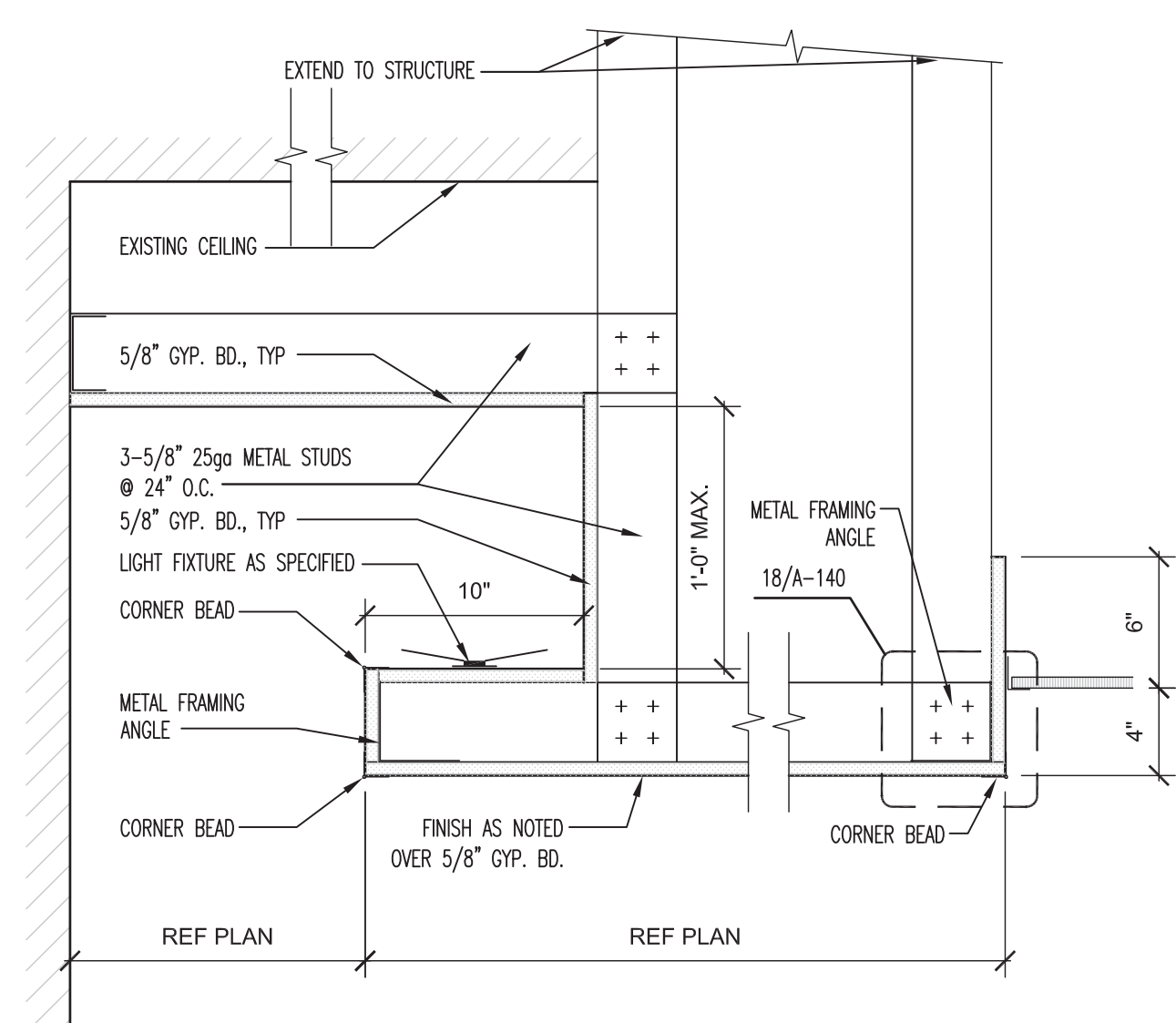
COPYRIGHT THESE DRAWINGS ARE THE PROPERTY OF POOLE+DRENNAN DESIGN STUDIO AND SHALL NOT BE DUPLICATED, DISCLOSED OR REUSED WITHOUT THE WRITTEN CONSENT OF POOLE+DRENNAN DESIGN STUDIO

DRAWN BY: KJC
 CHECKED BY: DAD
 DATE: 04.12.2017
 REVISIONS:
 CITY COMMENTS 06.12.2017

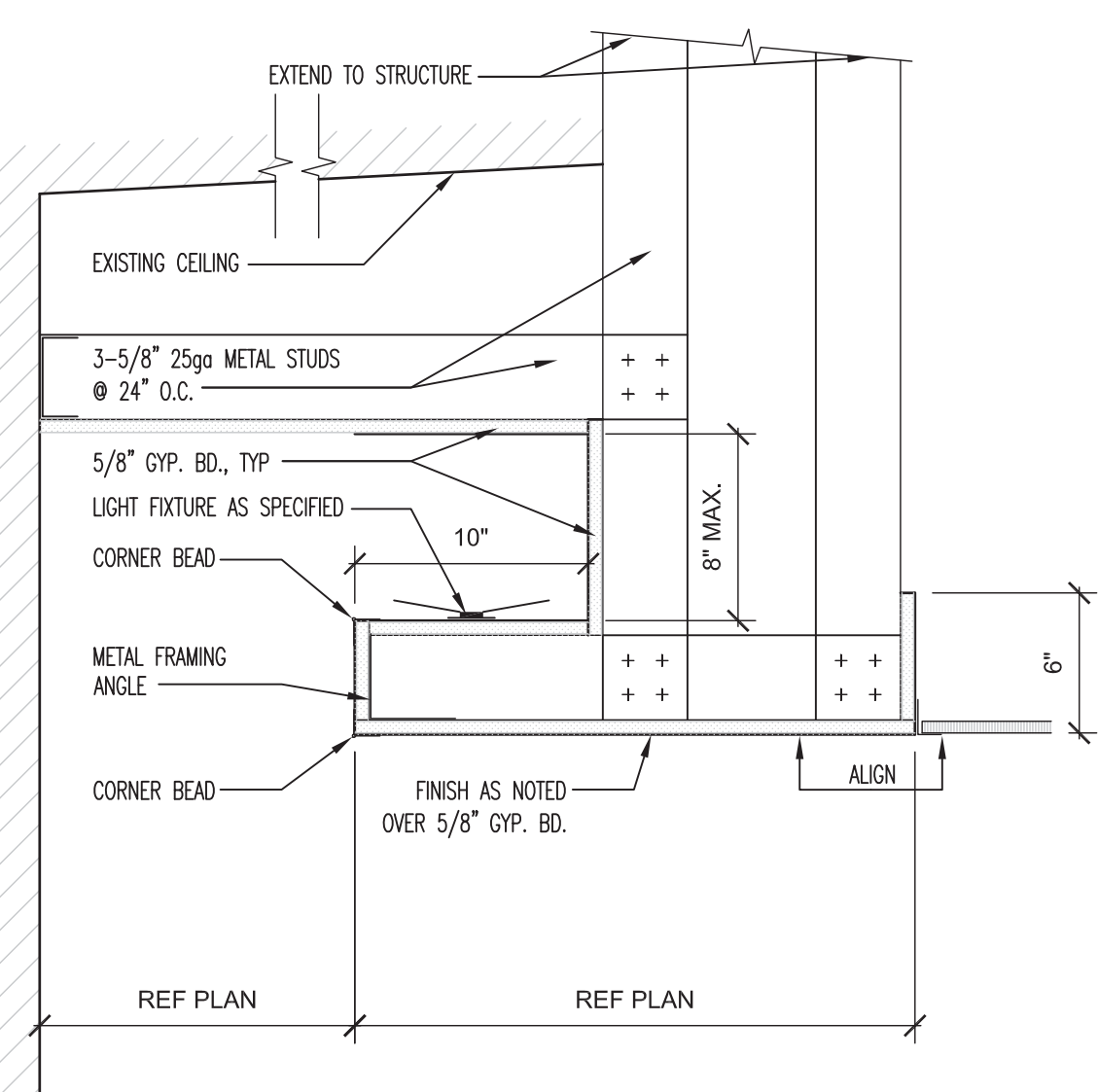
PROJECT NO.: 16054
 SHEET TITLE:

SECTIONS & DETAILS

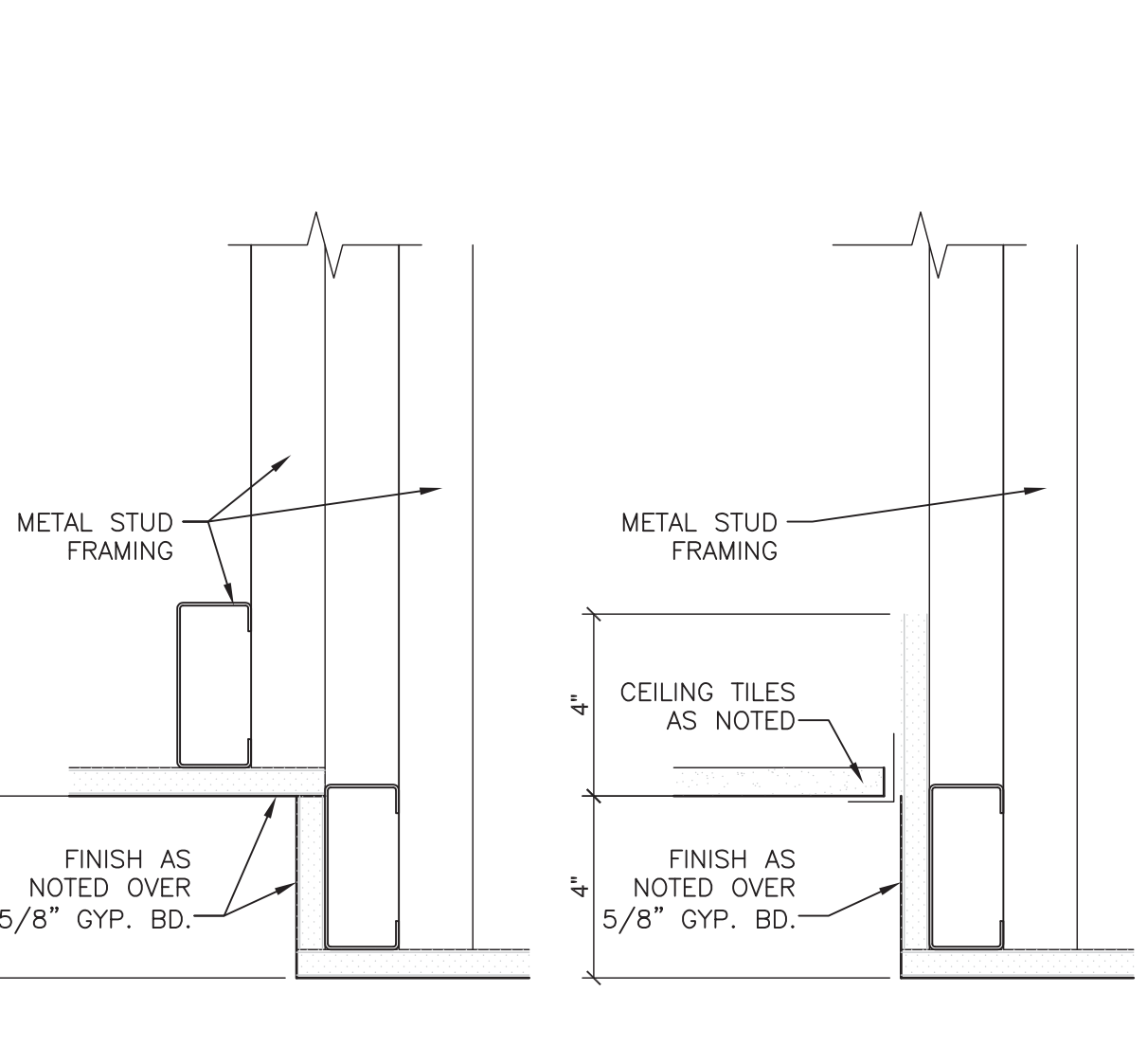
SHEET NO.: A-140



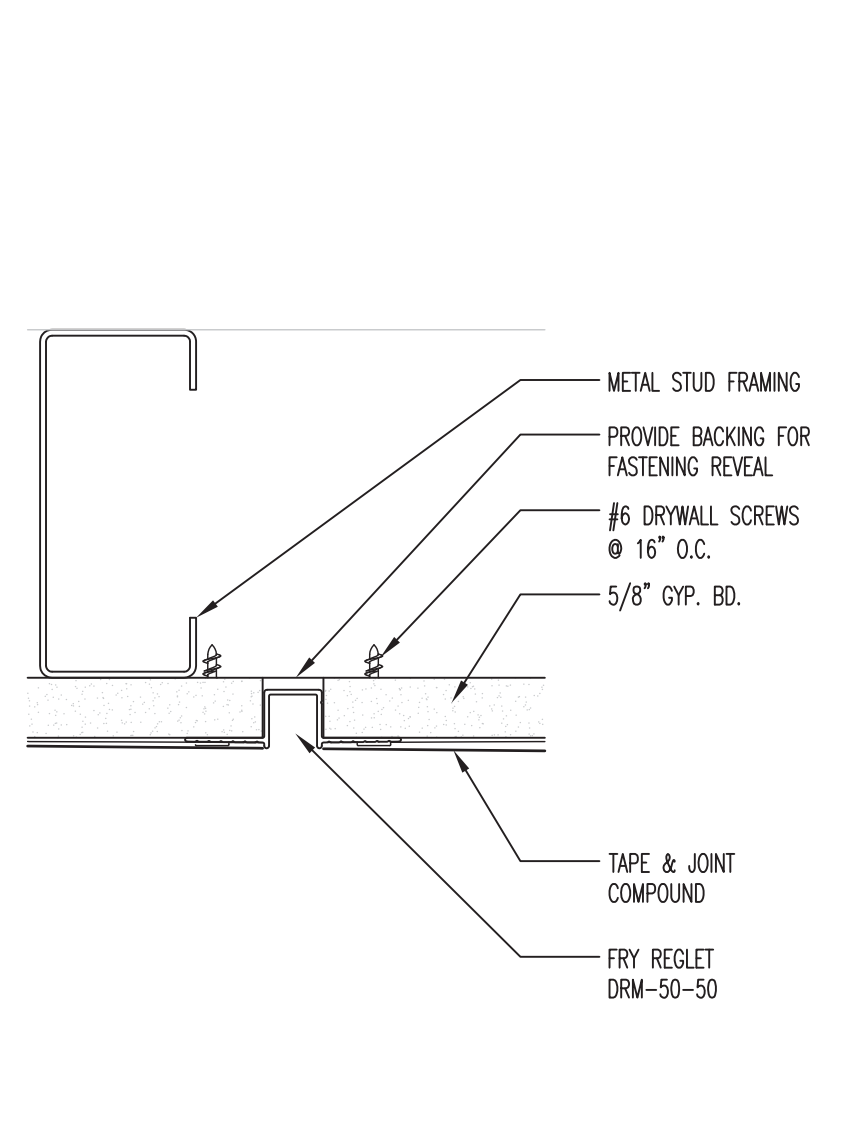
16 LOBBY CEILING DTL
 SCALE: 1-1/2" = 1'-0"



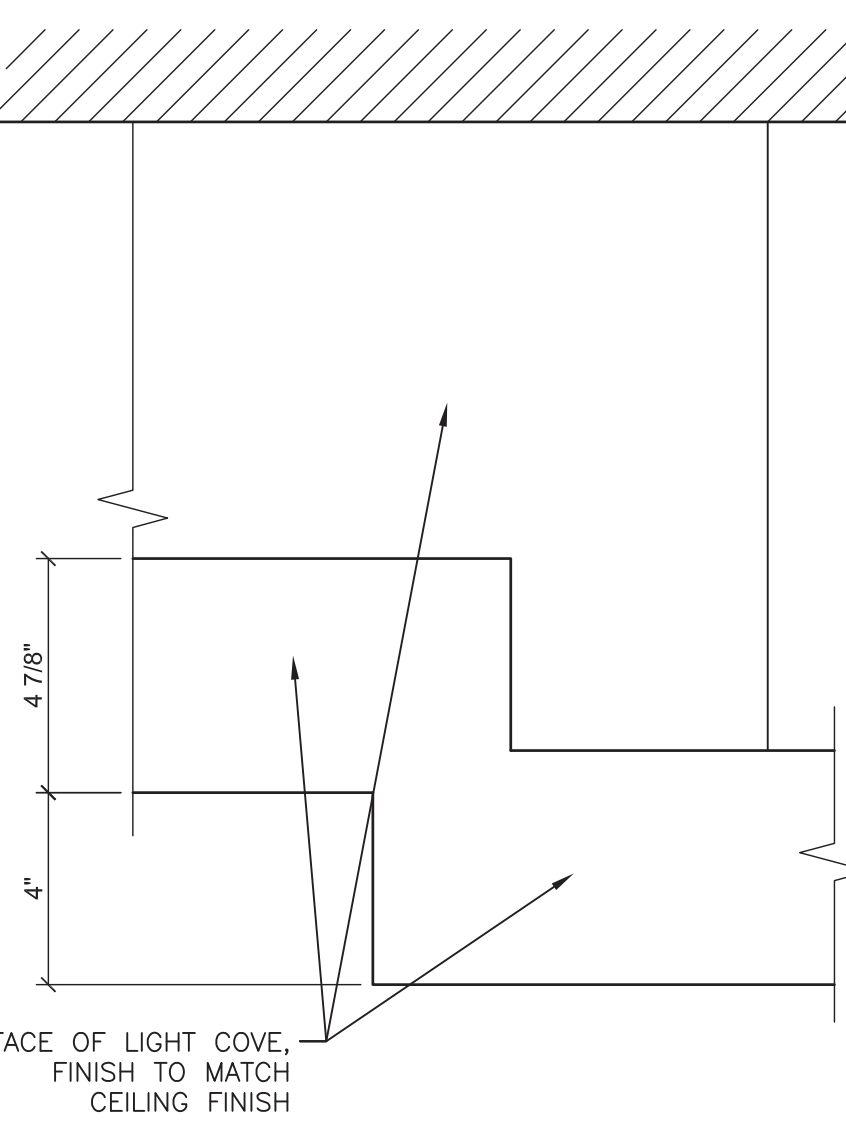
17 LOBBY CEILING DTL
 SCALE: 1-1/2" = 1'-0"



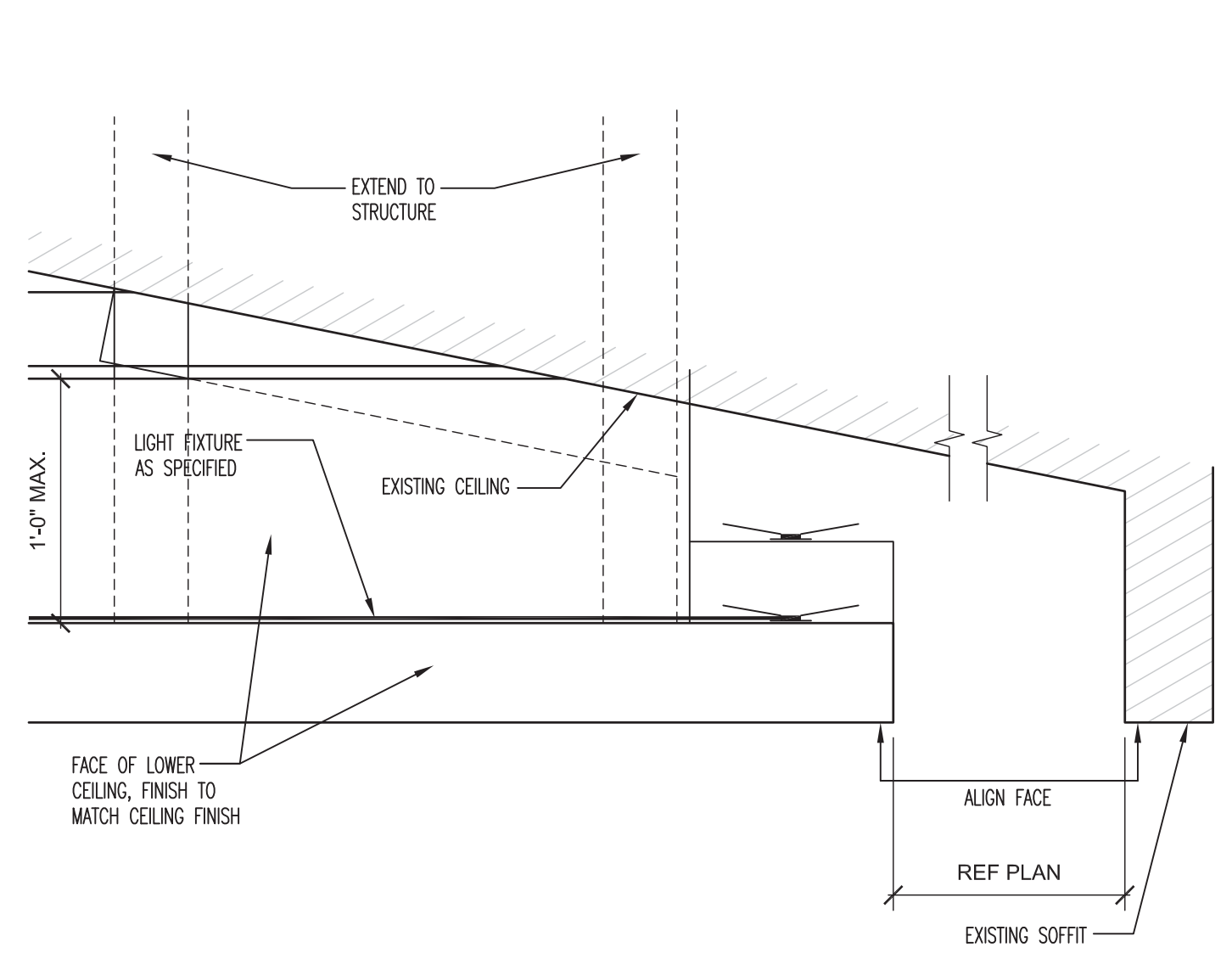
18 LOBBY CEILING DETAIL
 SCALE: 3" = 1'-0"



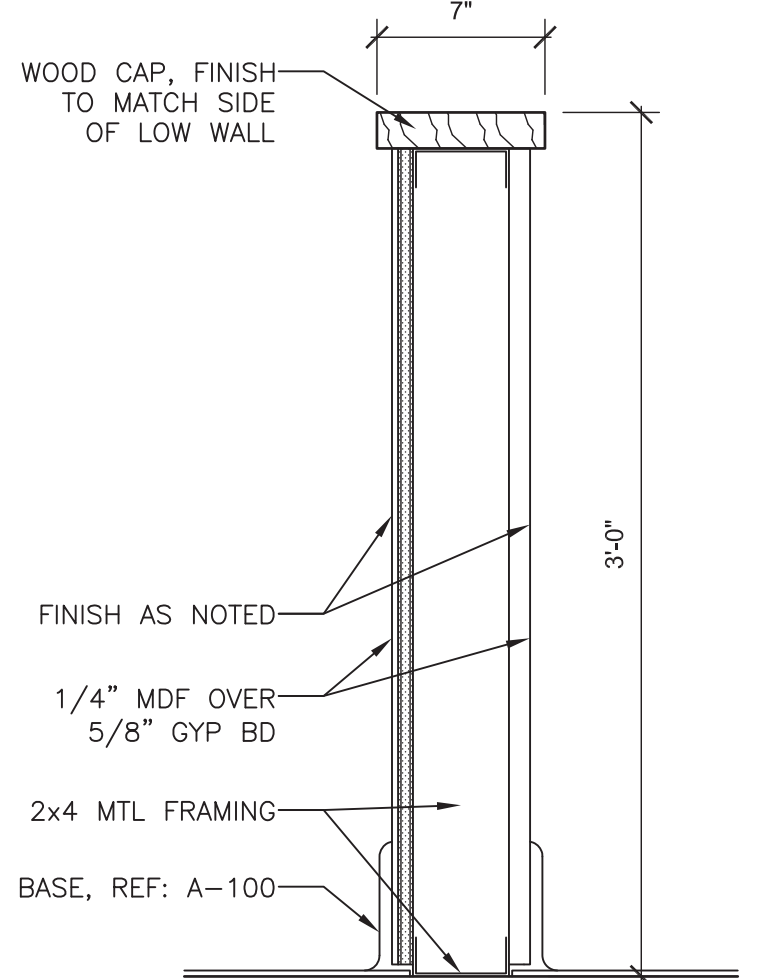
19 GYPSUM CEILING REVEAL DETAIL
 SCALE: 6" = 1'-0"



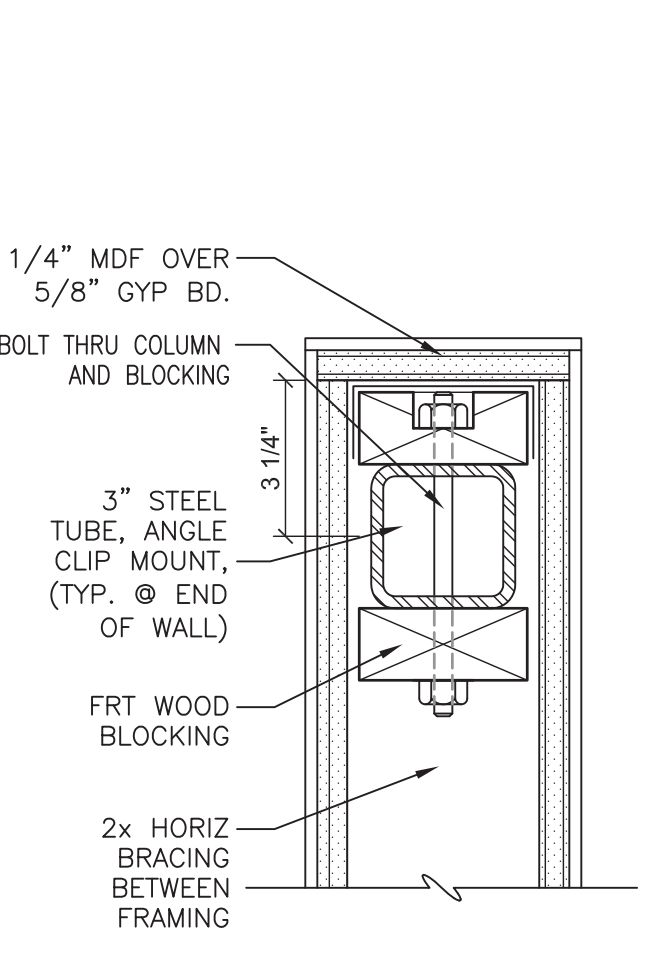
20 LOBBY CEILING DETAIL
 SCALE: 3" = 1'-0"



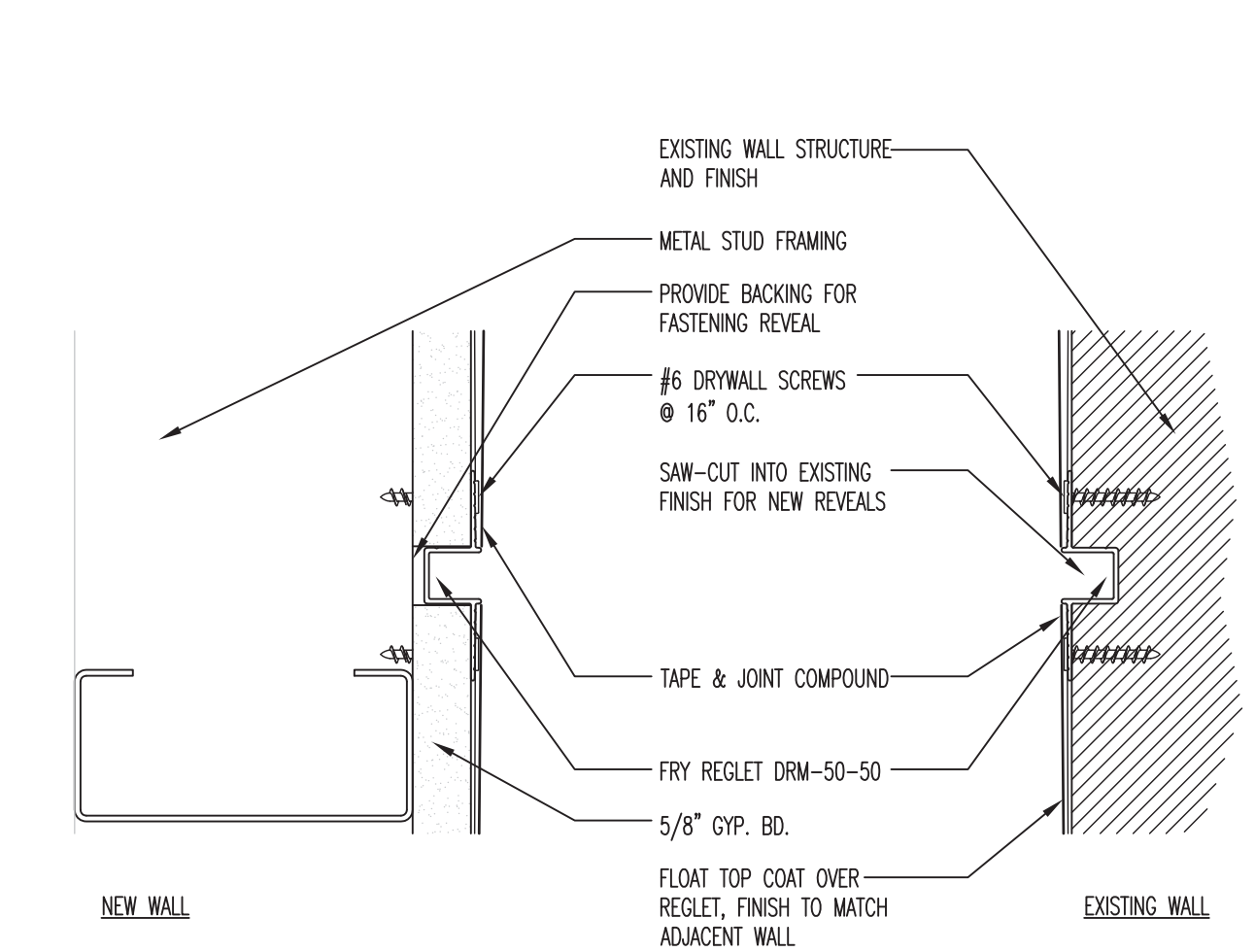
21 LOBBY CEILING DTL
 SCALE: 1-1/2" = 1'-0"



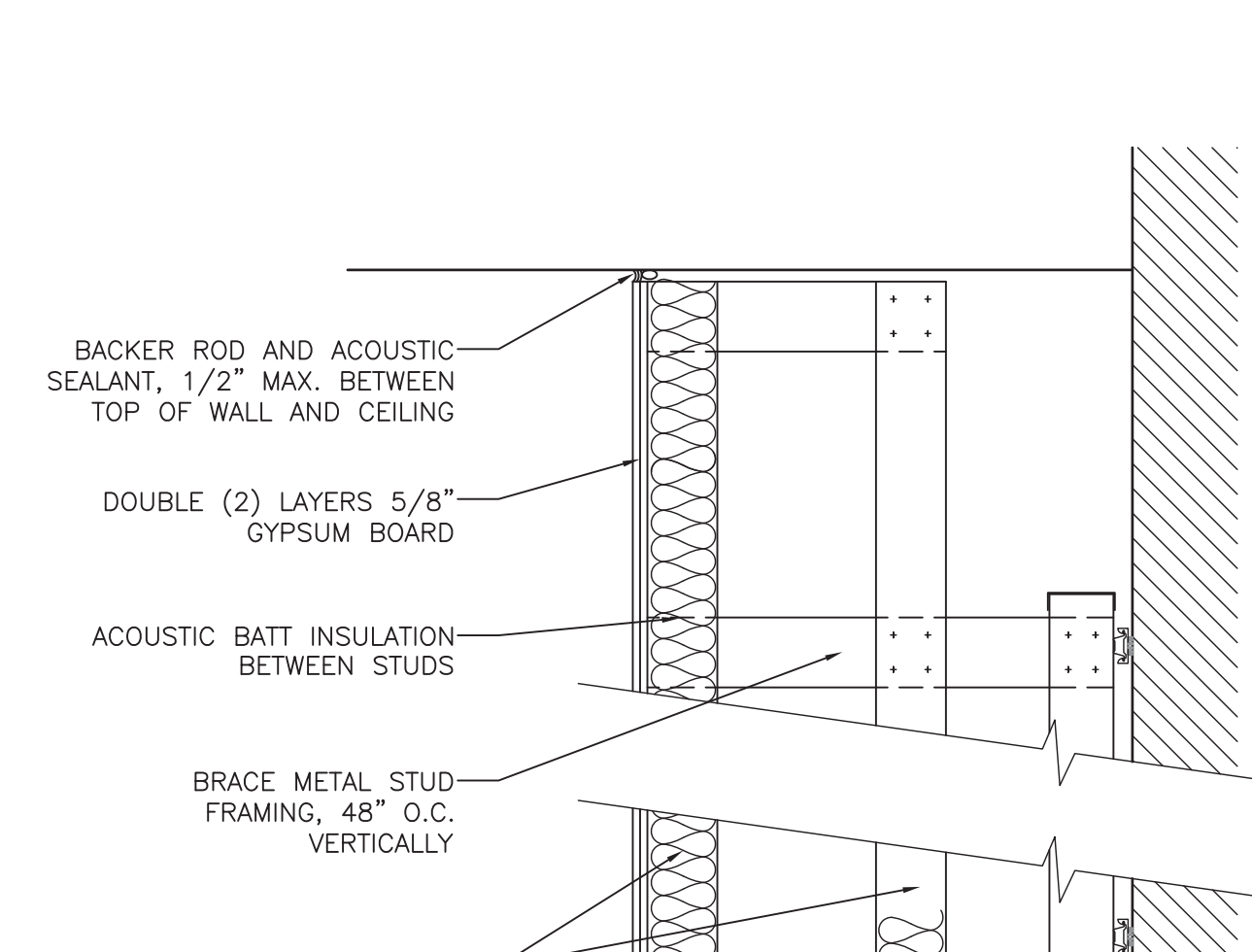
12 TYPICAL LOW WALL DETAIL
 1-1/2" = 1'-0"



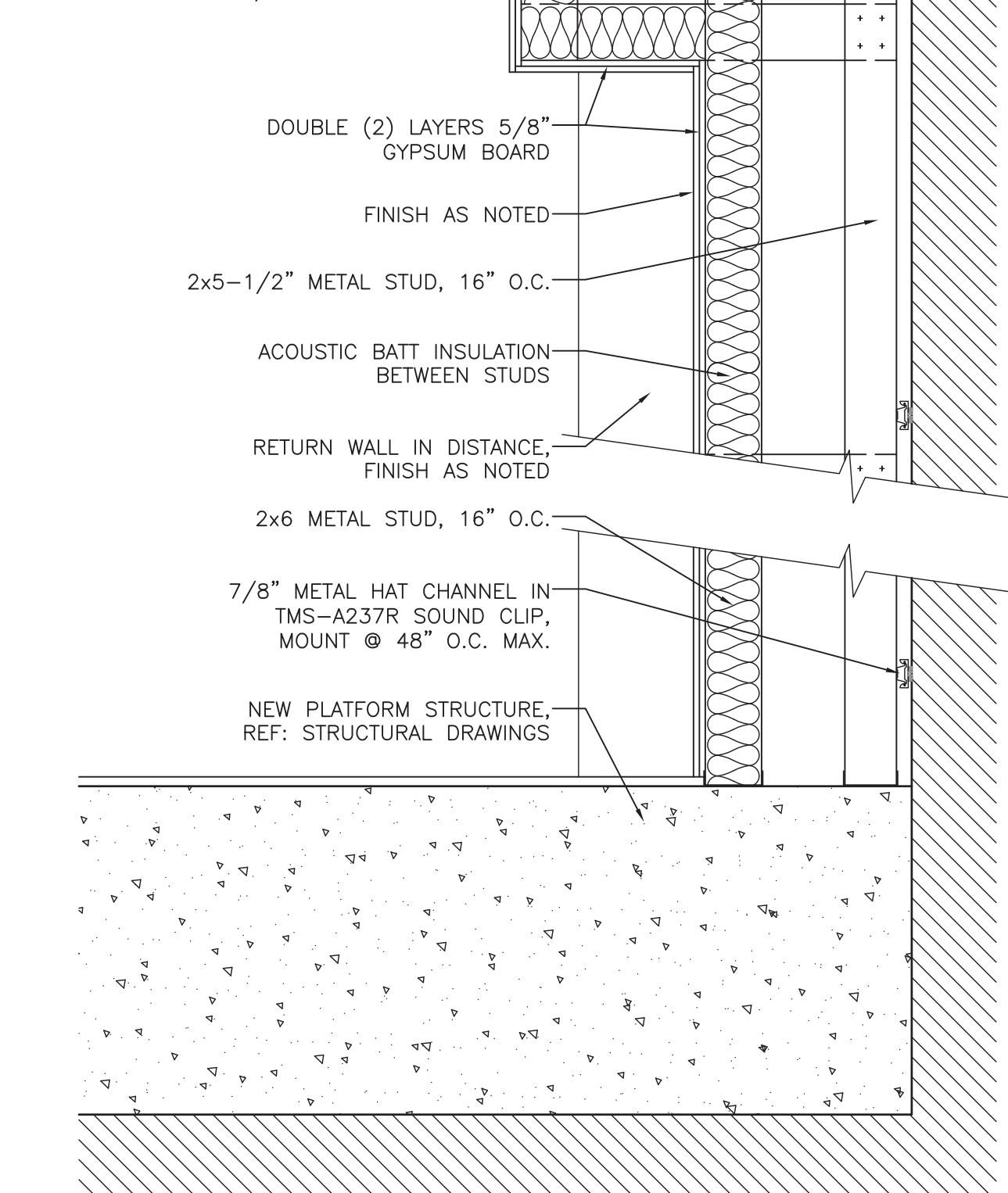
13 WALL PLAN DETAIL
 3" = 1'-0"



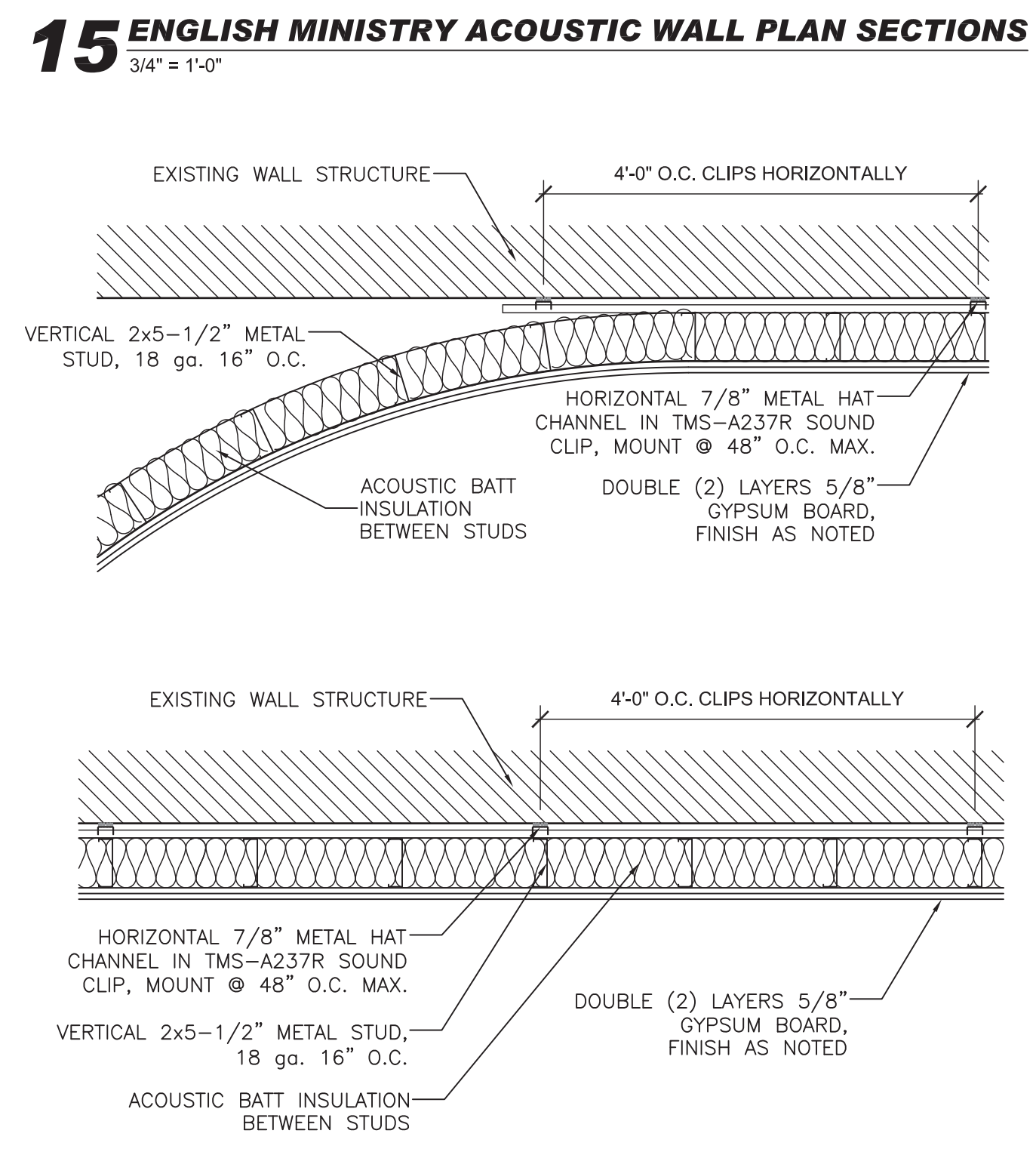
14 DRYWALL REVEAL DETAILS
 6" = 1'-0"



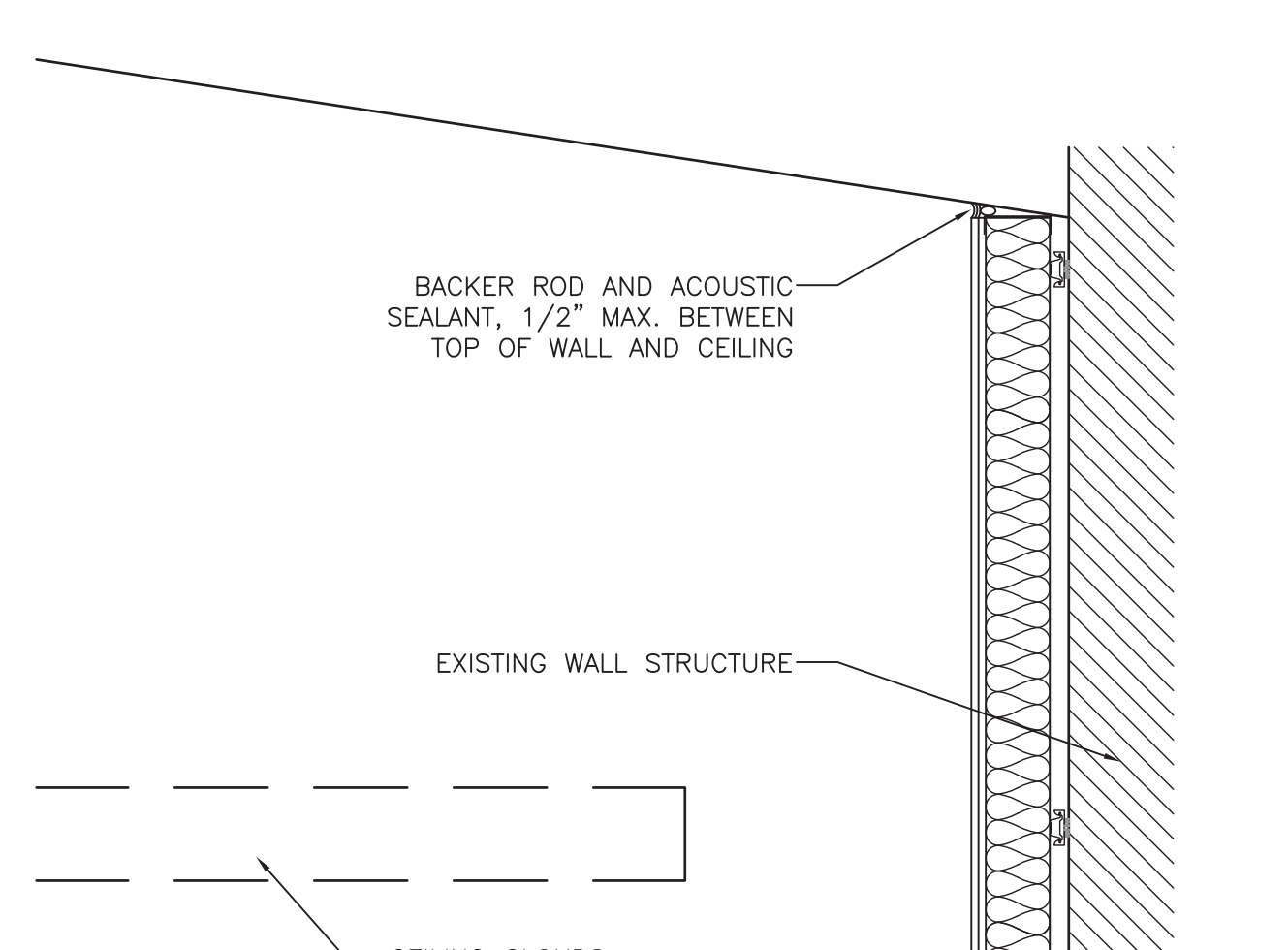
15 ENGLISH MINISTRY ACOUSTIC WALL PLAN SECTIONS
 3/4" = 1'-0"



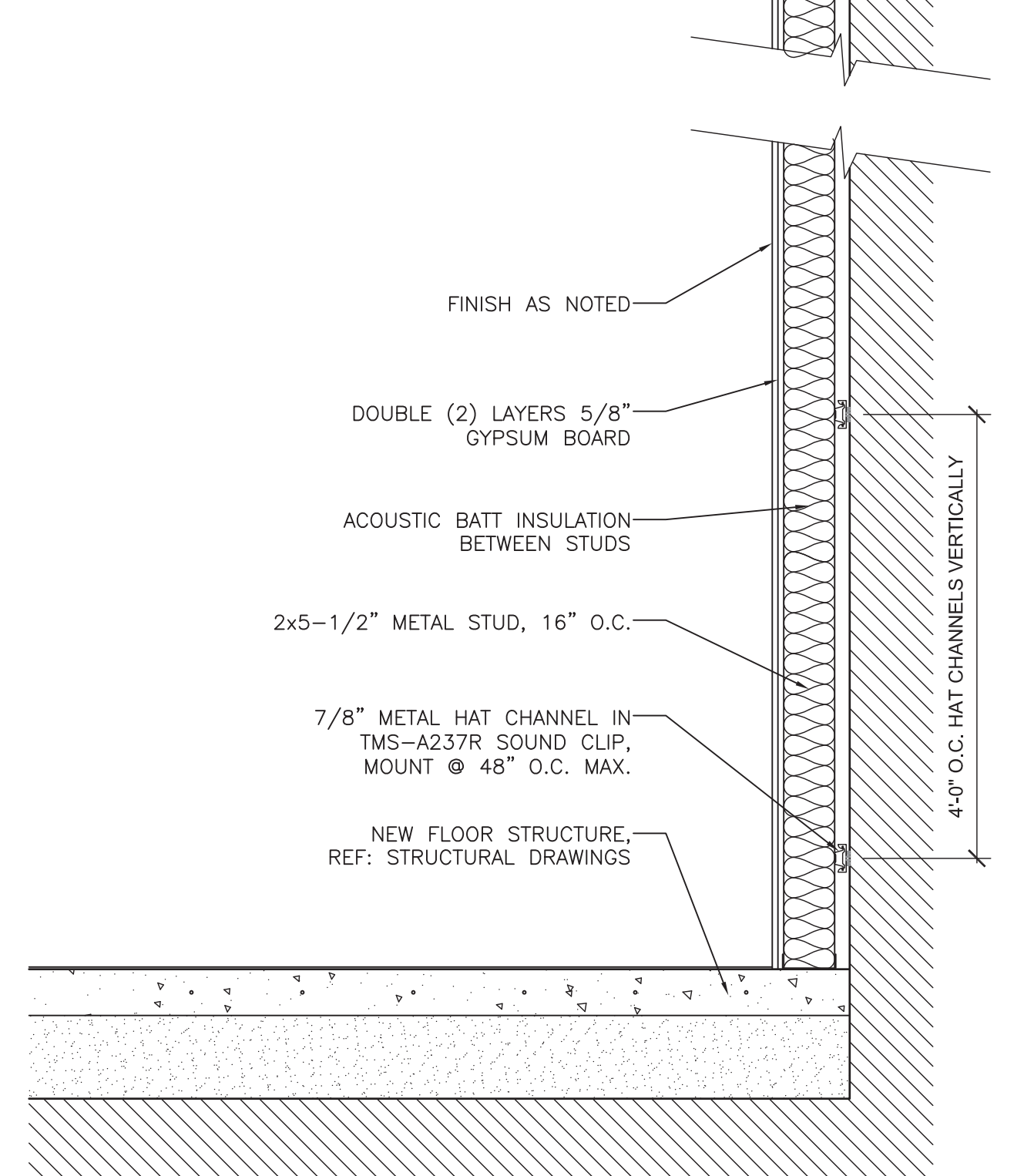
16 ENGLISH MINISTRY ACOUSTIC WALL SECTION
 3/4" = 1'-0"



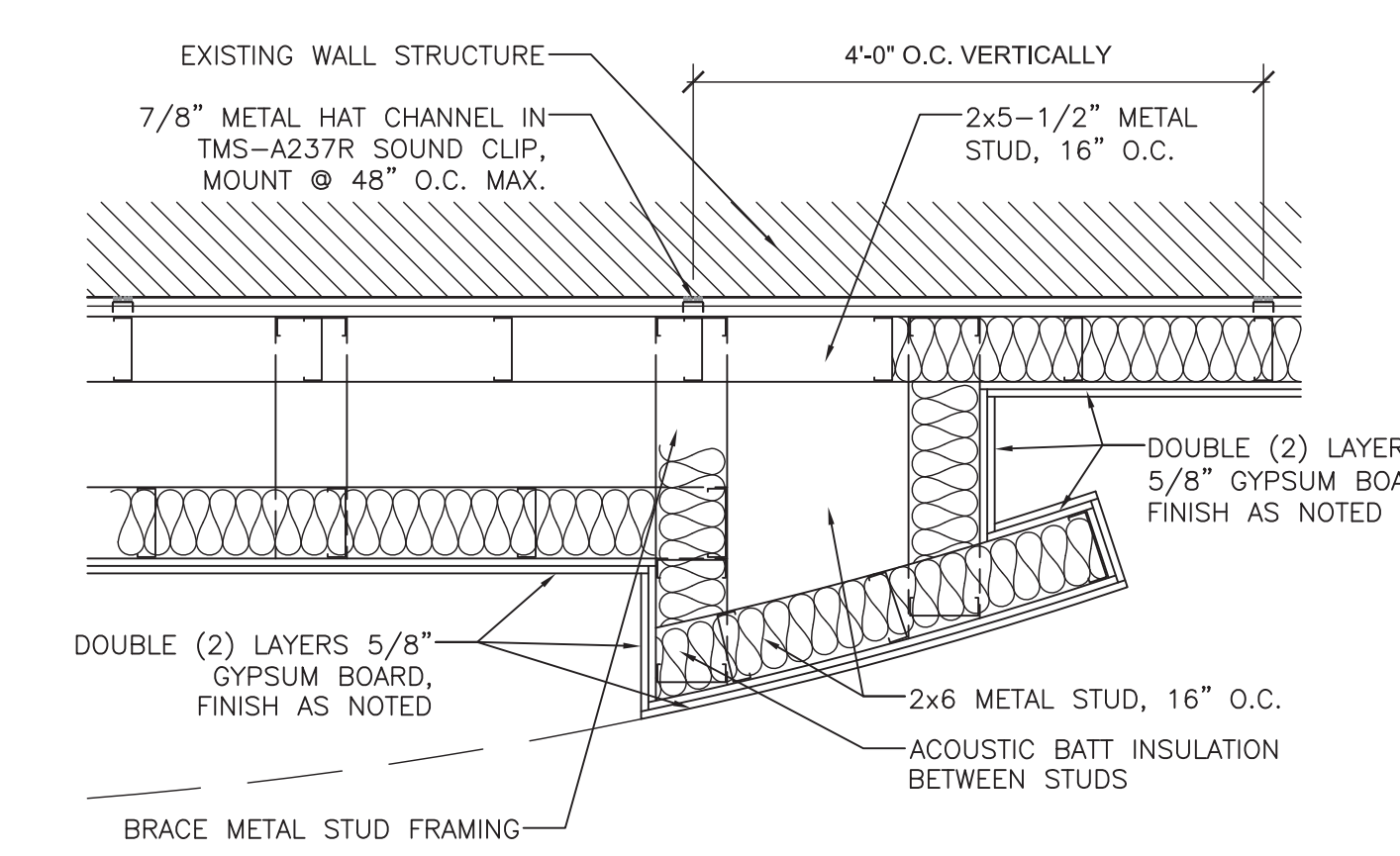
17 ENGLISH MINISTRY ACOUSTIC WALL SECTION
 3/4" = 1'-0"



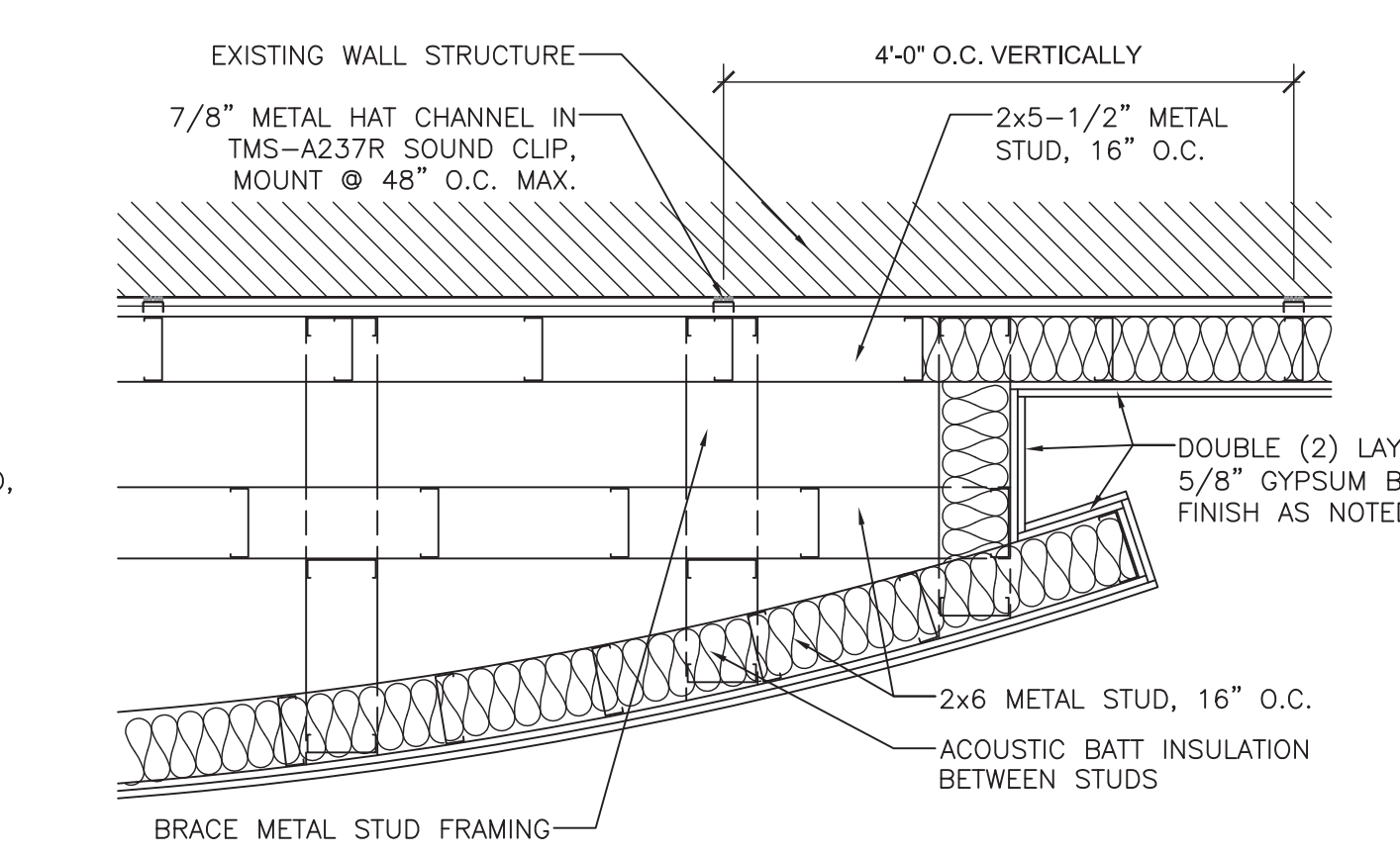
18 ENGLISH MINISTRY ACOUSTIC WALL SECTION
 3/4" = 1'-0"



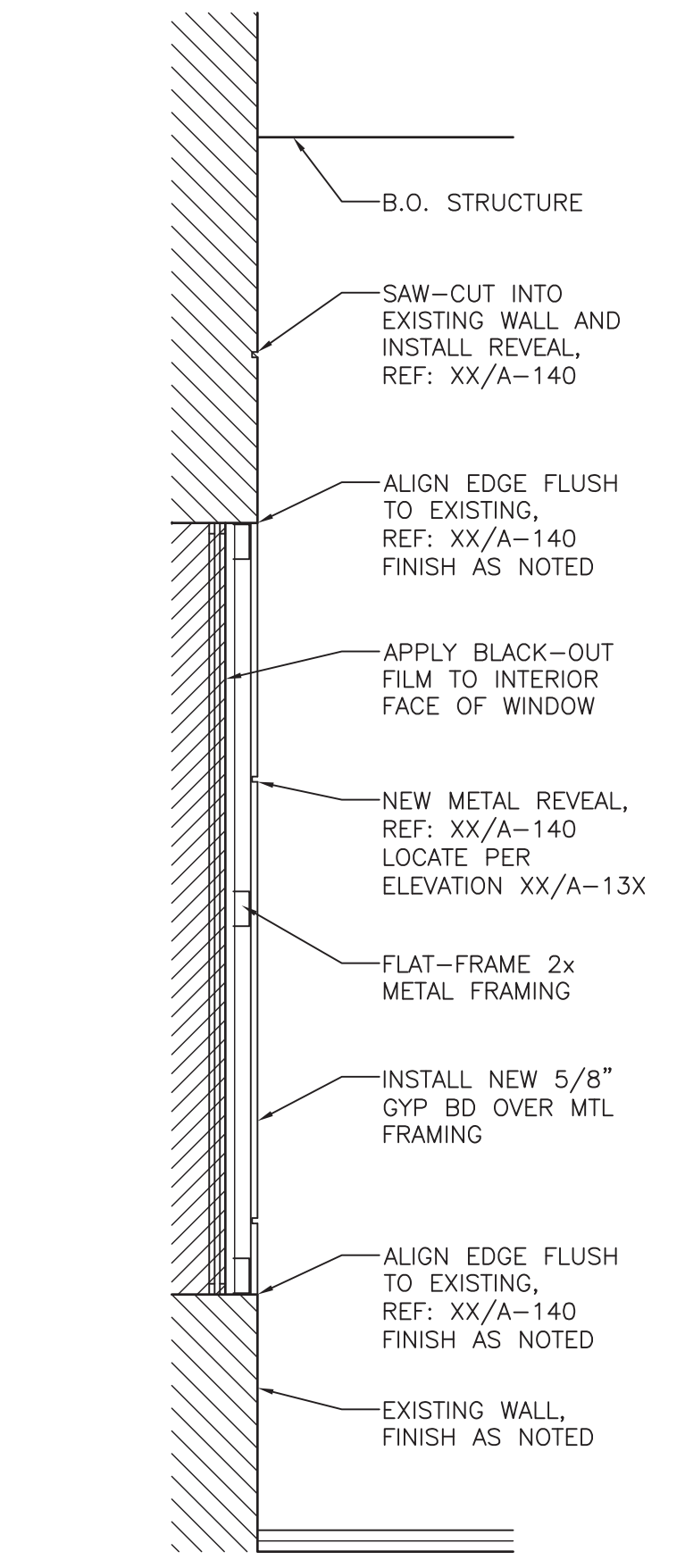
19 ENGLISH MINISTRY ACOUSTIC WALL SECTION
 3/4" = 1'-0"



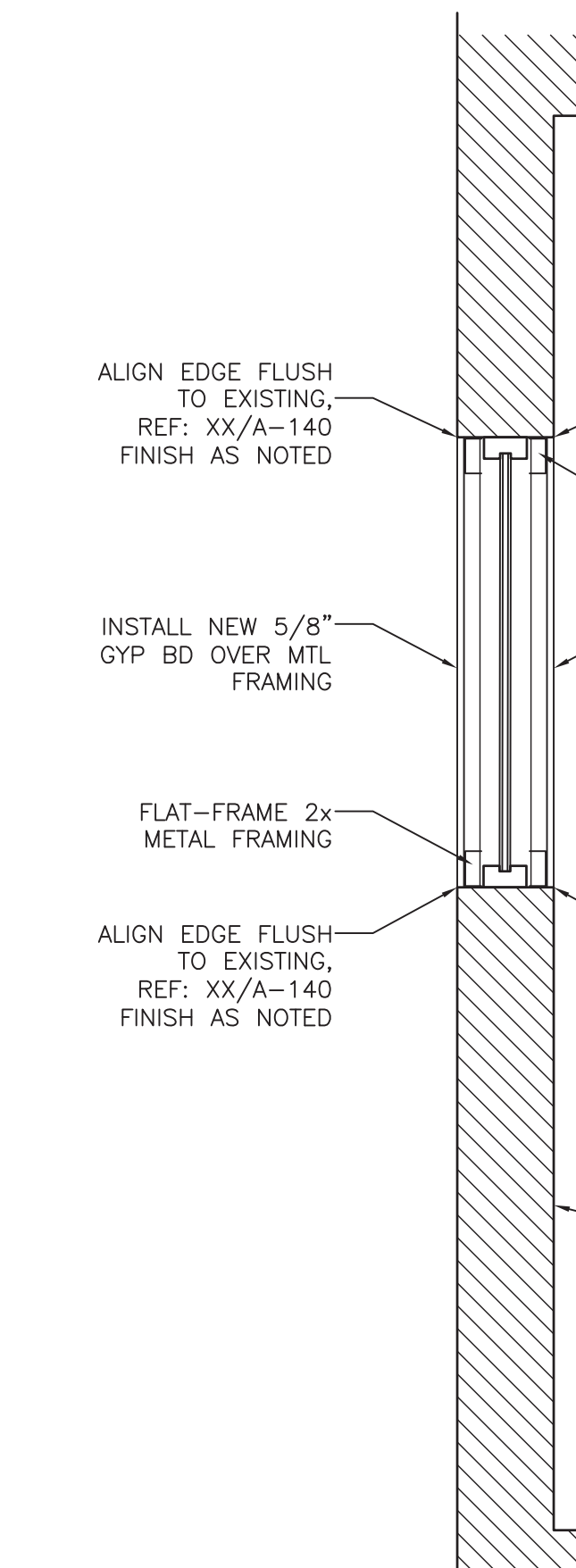
07 ENGLISH MINISTRY STAGE-BACK LOWER PLAN SECTION
 3/4" = 1'-0"



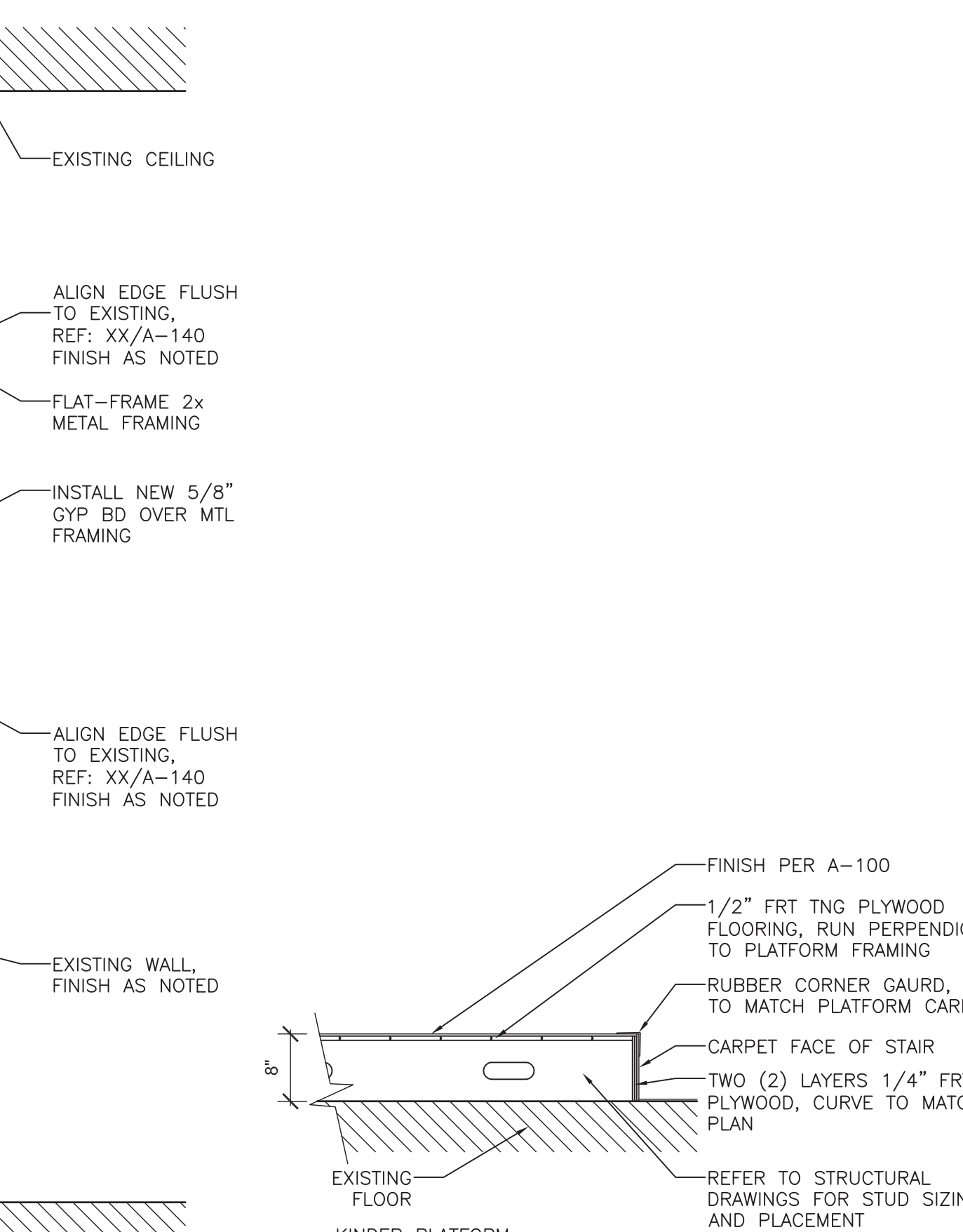
08 ENGLISH MINISTRY STAGE-BACK UPPER PLAN SECTION
 3/4" = 1'-0"



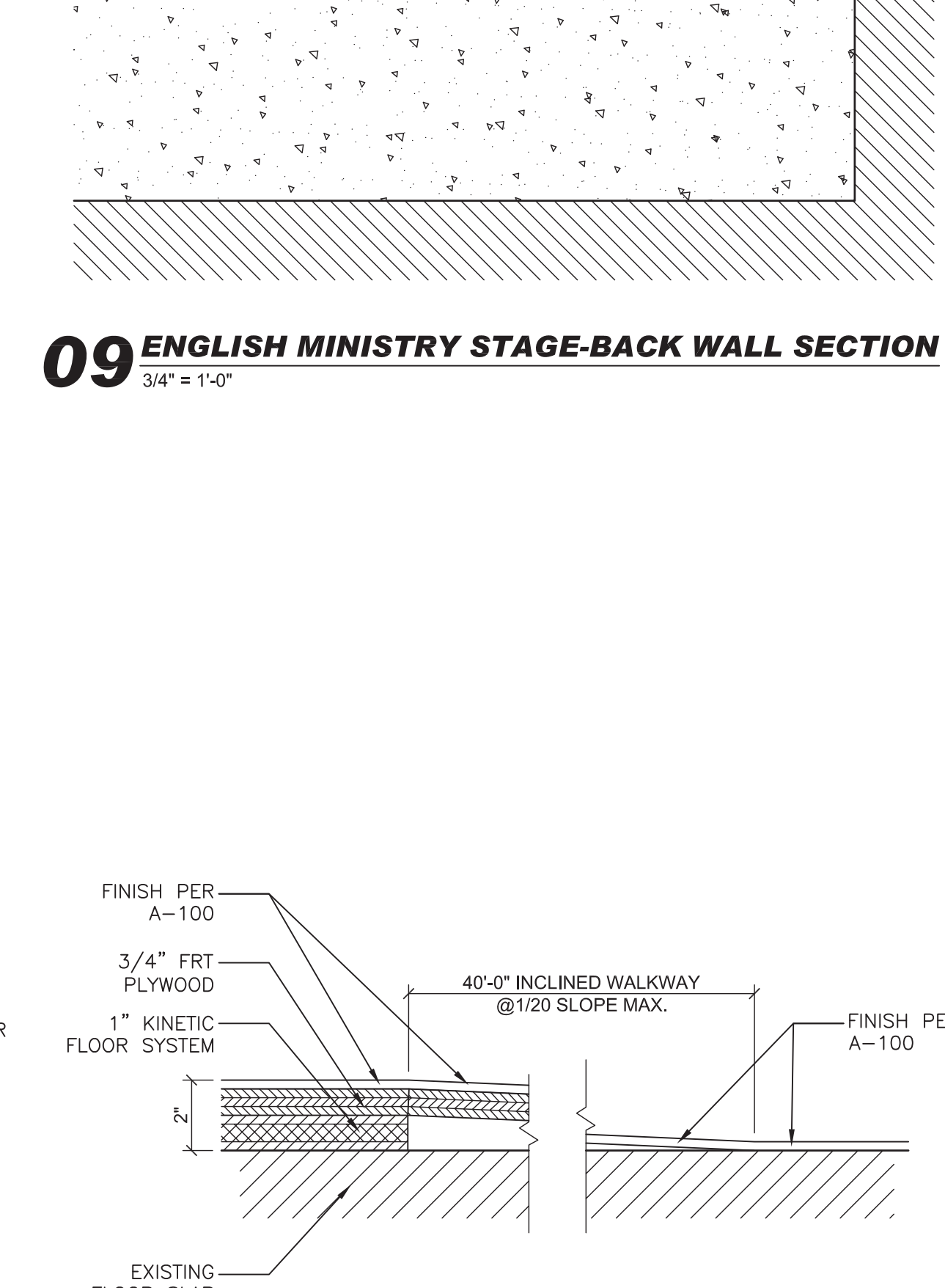
01 SECTION @ YOUTH SANCTUARY WINDOW INFILL
 3/4" = 1'-0"



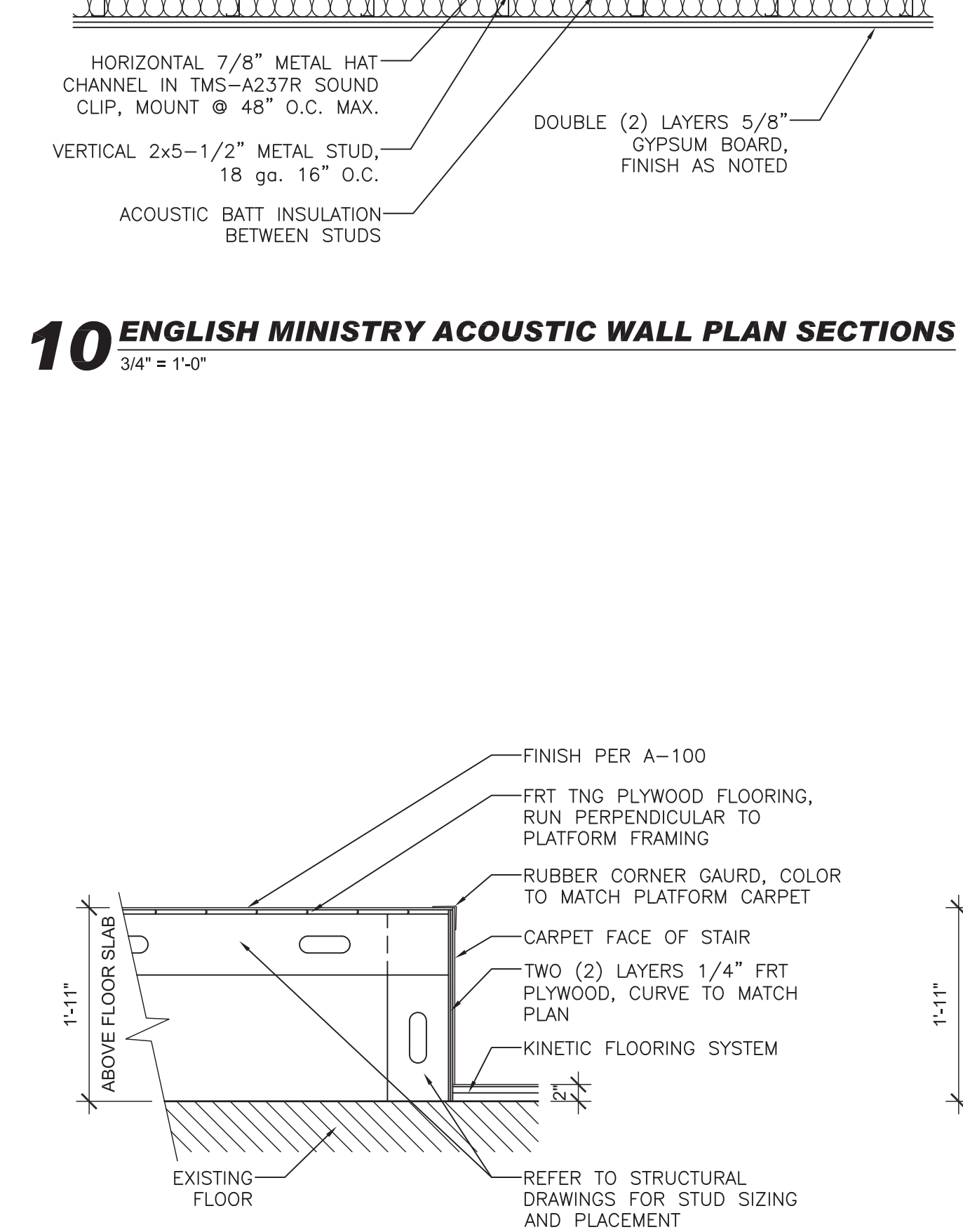
02 SECTION @ E.M. WINDOW INFILL
 3/4" = 1'-0"



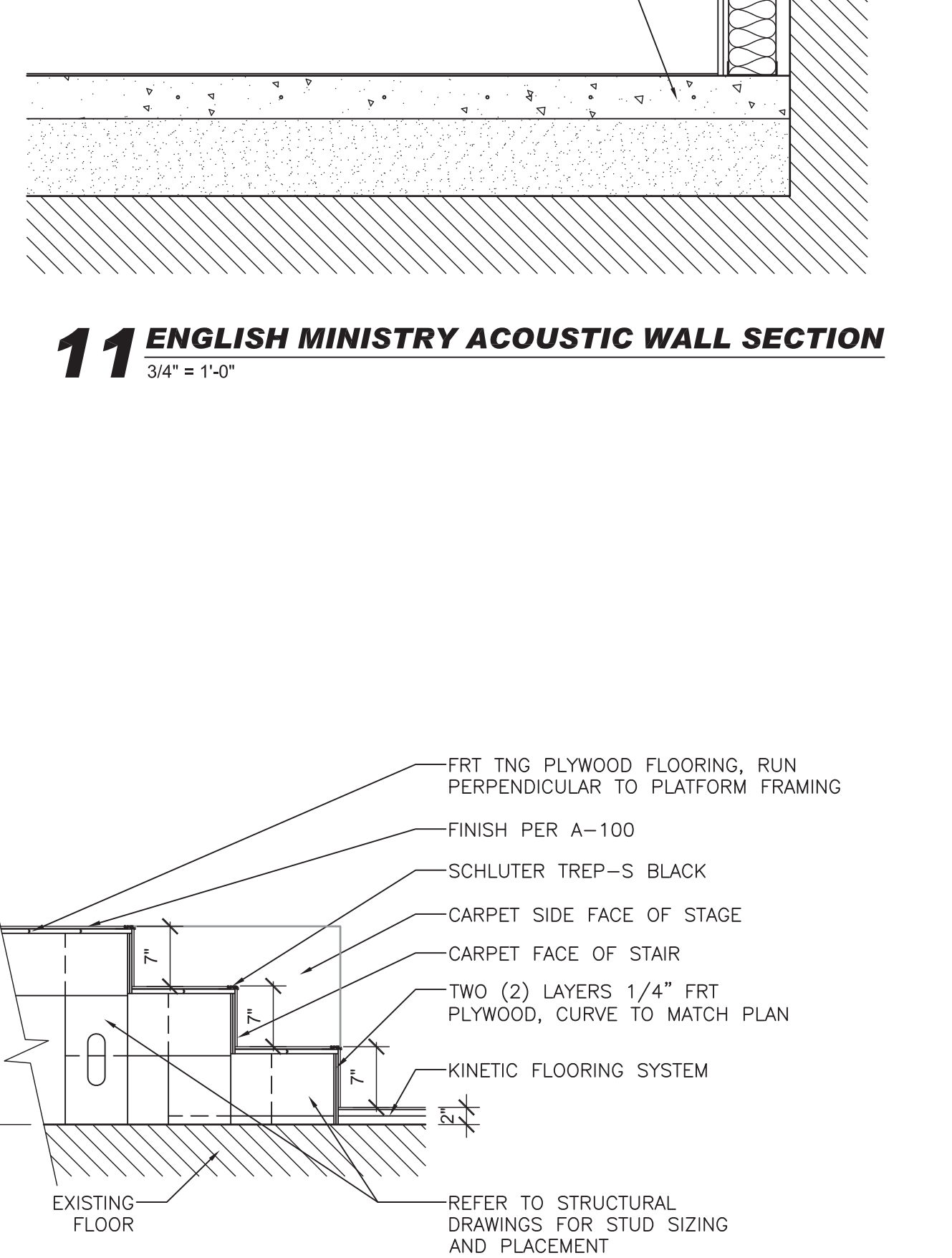
03 PLATFORM SECTION
 3/4" = 1'-0"



04 KINETIC FLOOR DETAIL
 3" = 1'-0"



05 PLATFORM SECTION
 3/4" = 1'-0"



06 PLATFORM STAIR SECTION
 3/4" = 1'-0"

FILE: P:\16054 Binnerri Church Remedial\05_CAD Drawings\2017\06.12.Delta 1 - Comment Responses\A-140.dwg
 SCALE: 1 DATE/TIME: Jun 19, 2017 8:20am
 USER: Kary Cooper XREF(s): titleblock_3042.dwg