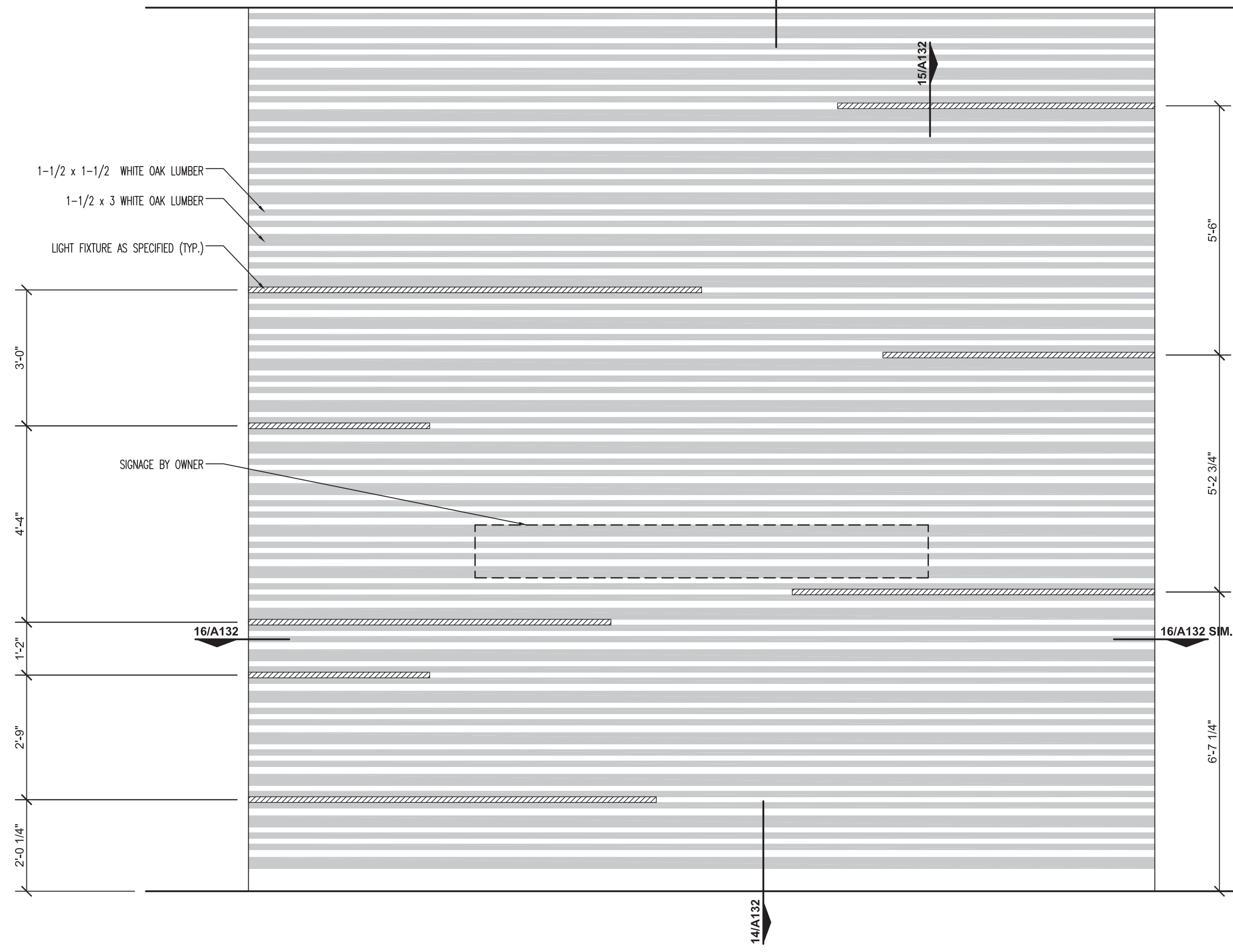
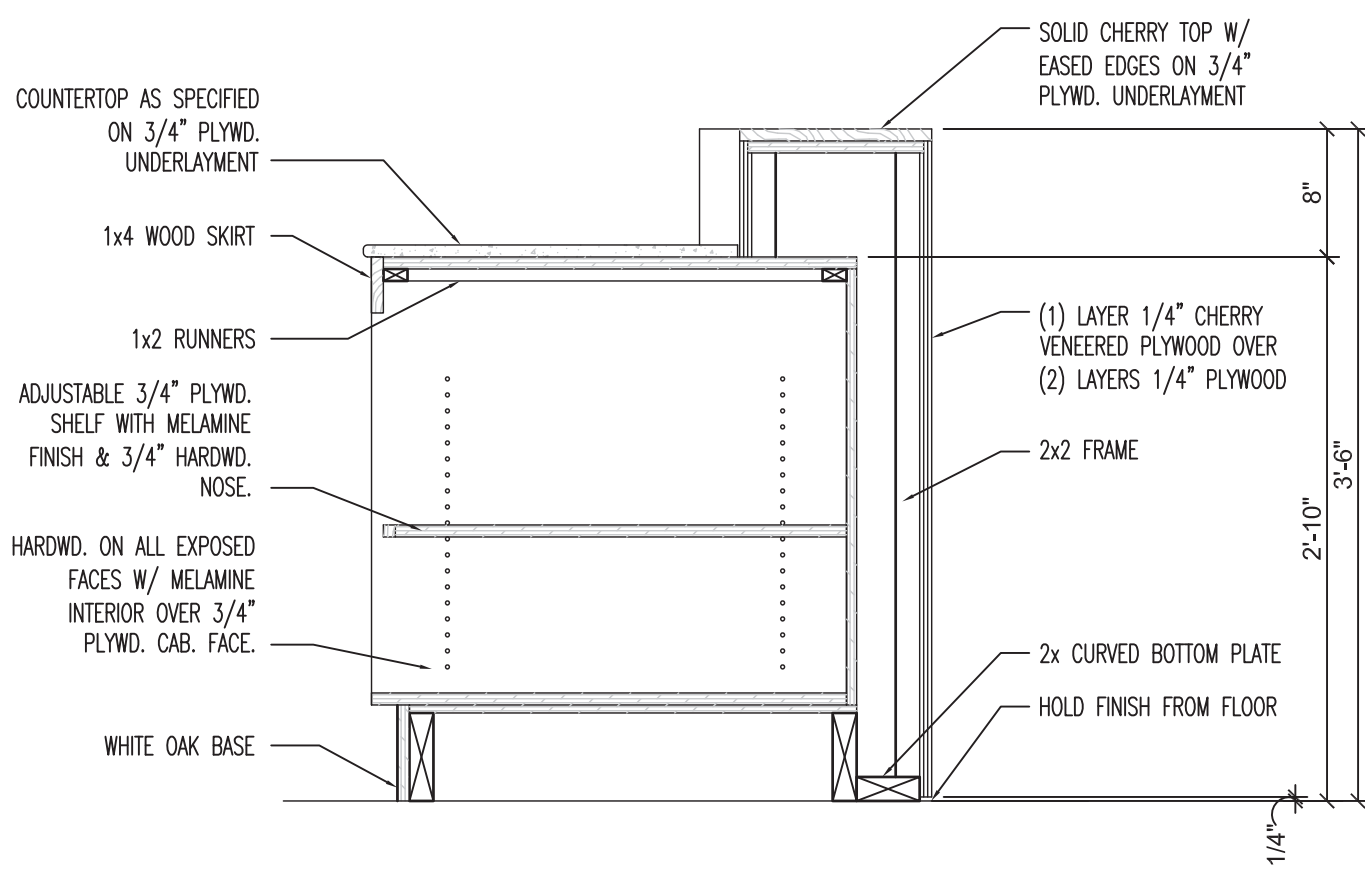


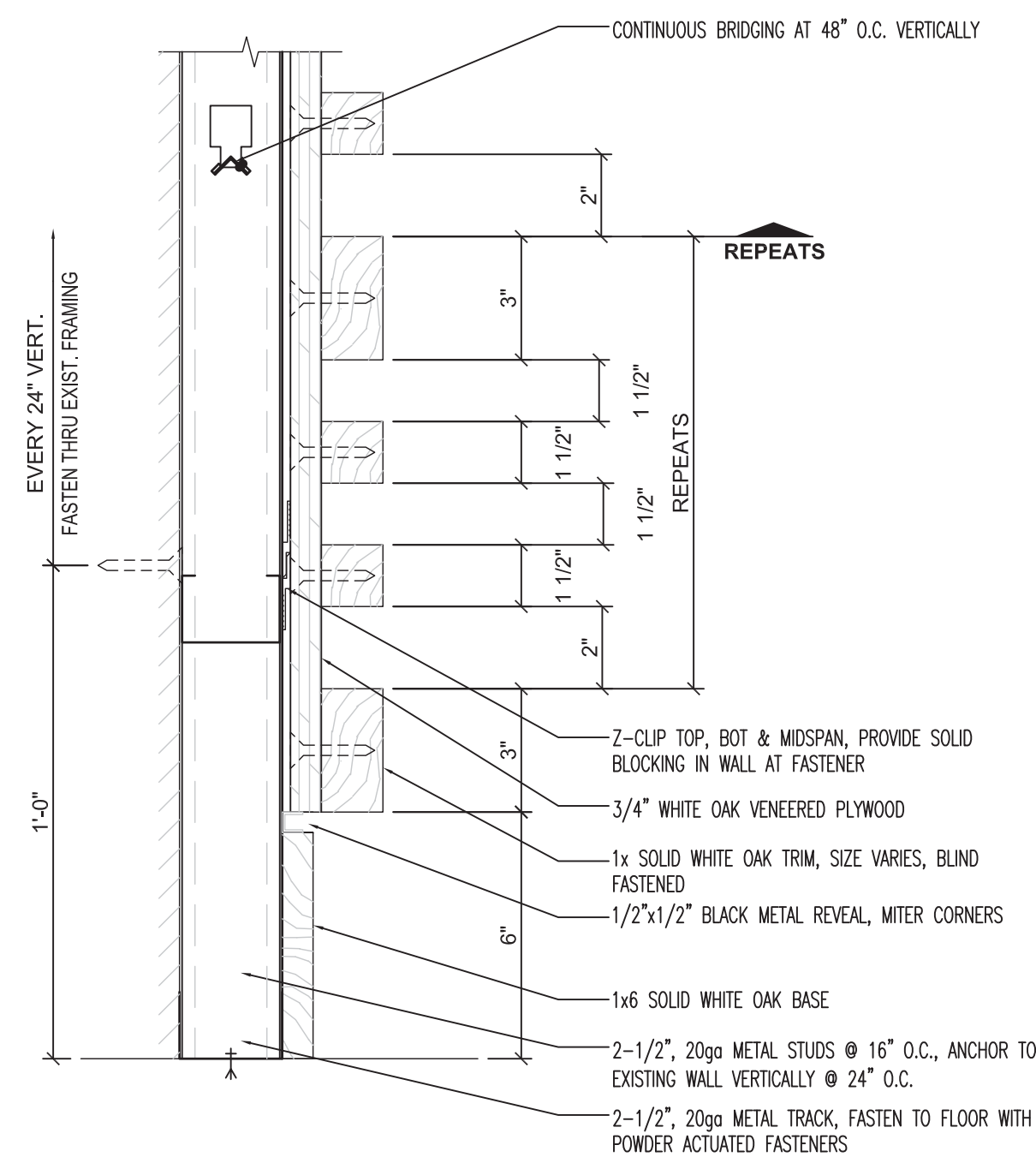
**16 LOBBY SLAT WALL PLAN DTL.**  
SCALE: 3" = 1'-0"



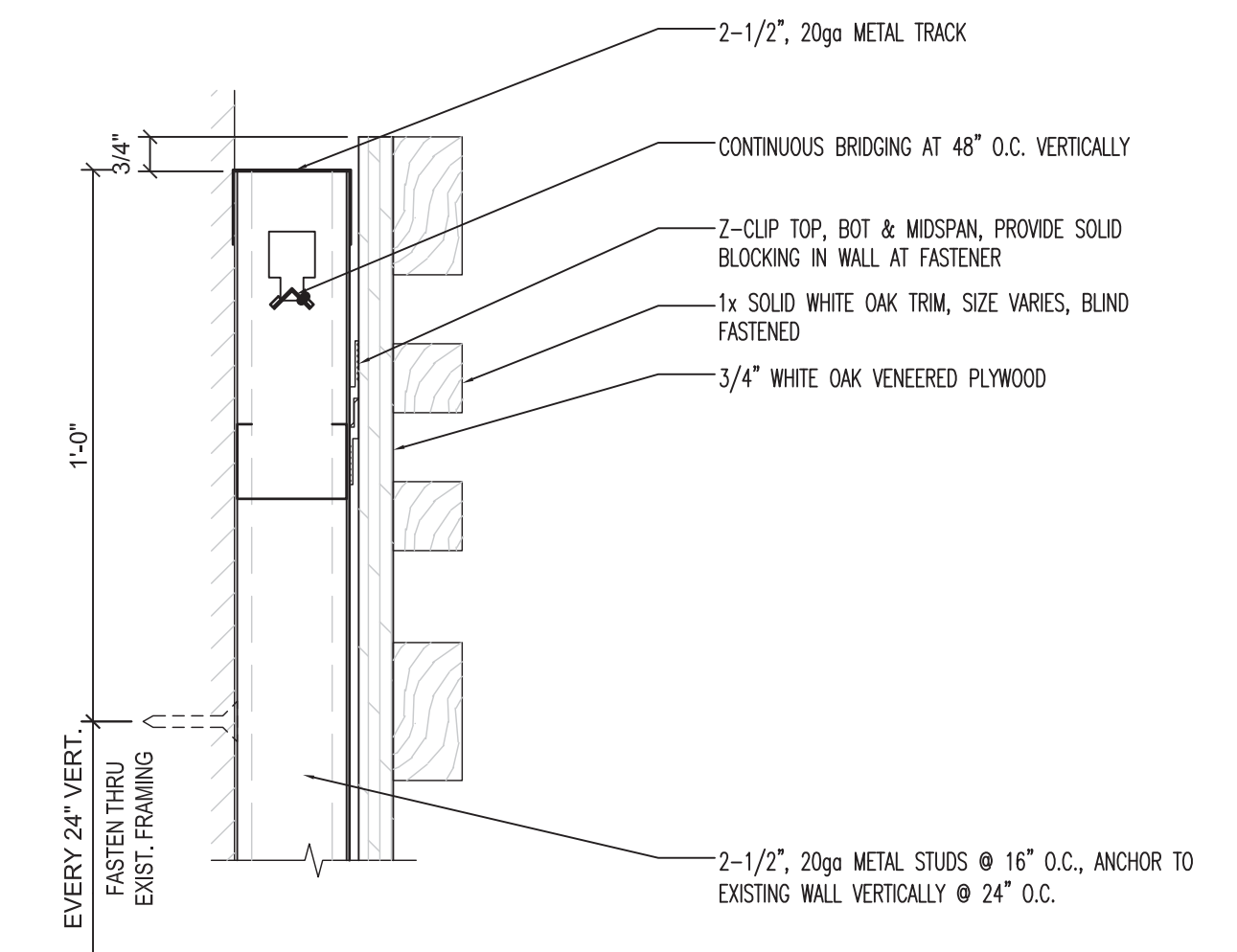
**12 LOBBY SLAT WALL ELEVATION**  
SCALE: 1/2" = 1'-0"



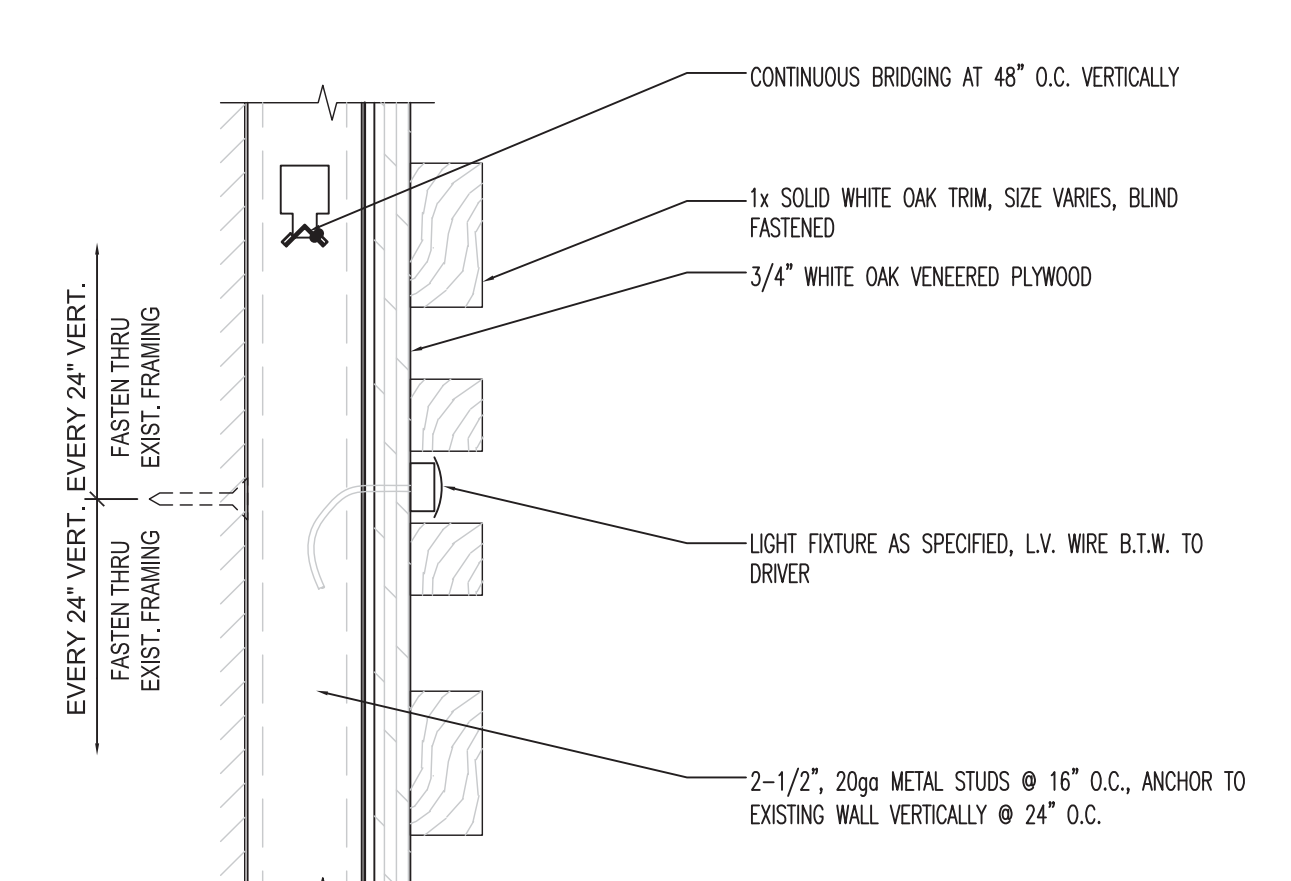
**11 ENLARGED MILLWORK SECTION**  
SCALE: 1" = 1'-0"



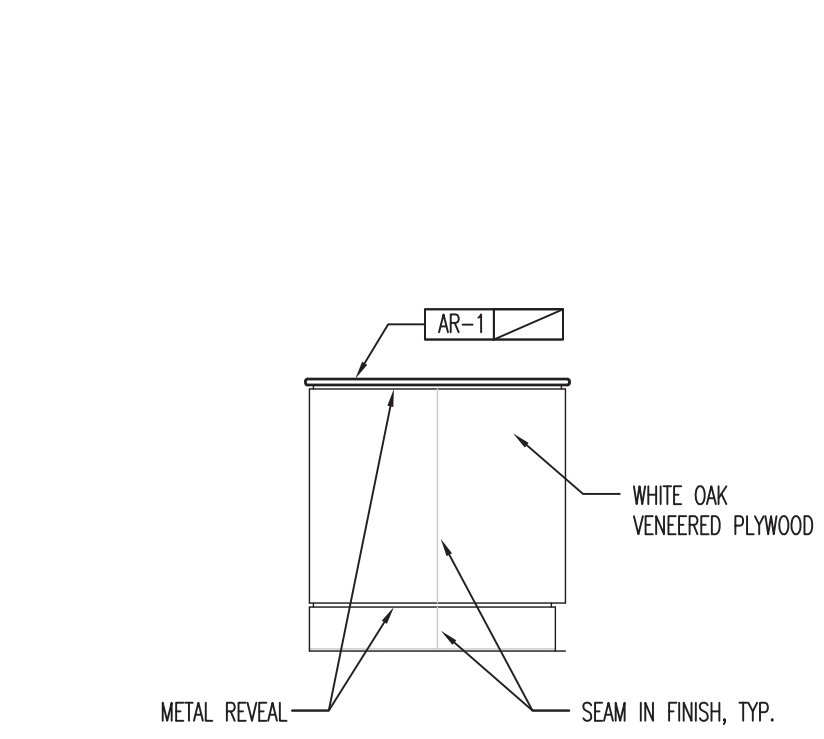
**14 LOBBY SLAT WALL BASE DTL**  
SCALE: 3" = 1'-0"



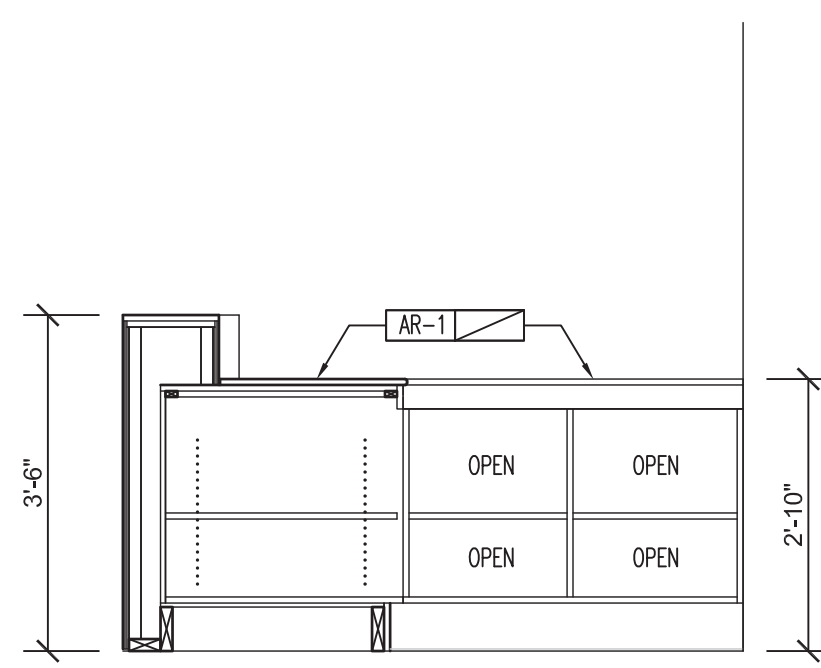
**20 LOBBY SLAT WALL CAP DETAIL**  
SCALE: 3" = 1'-0"



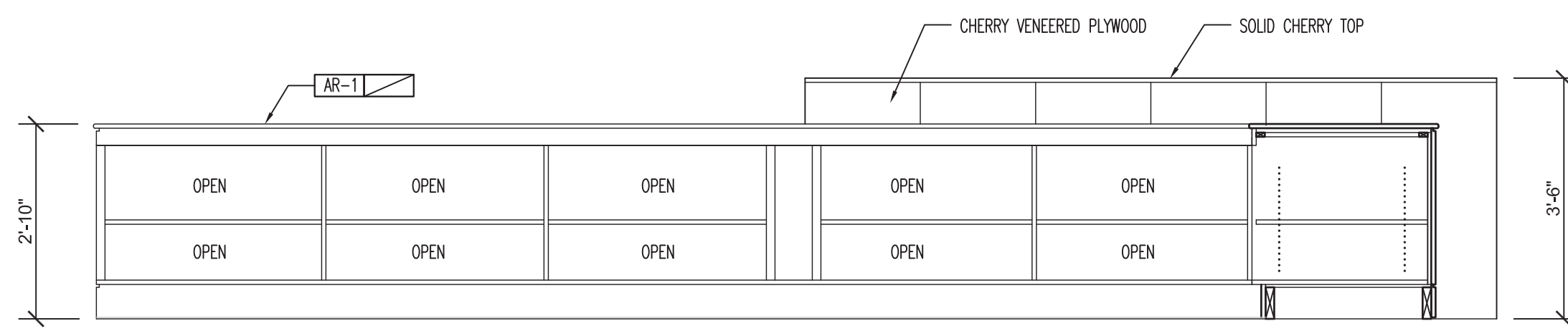
**15 LOBBY SLAT WALL DETAIL @ LIGHT FIXT.**  
SCALE: 3" = 1'-0"



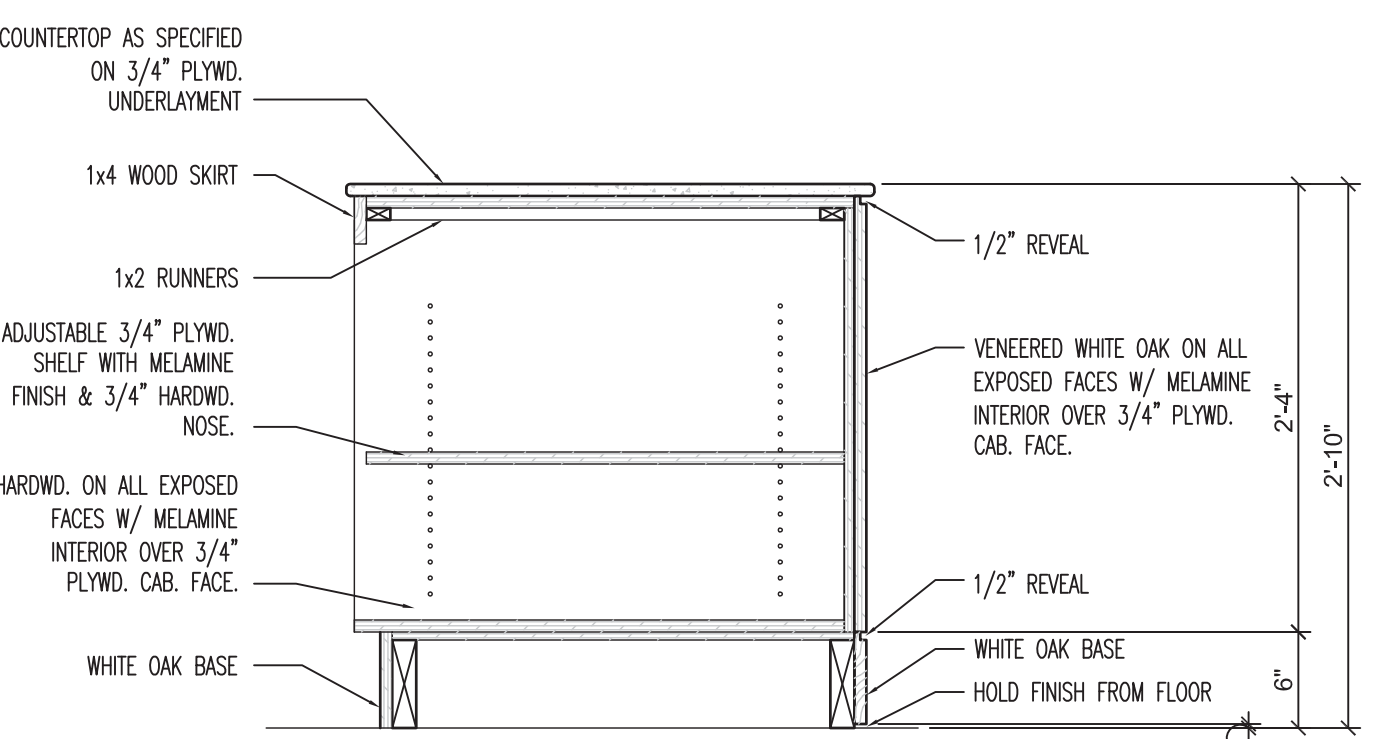
**06 INFORMATION DESK ELEVATION**  
SCALE: 1/2" = 1'-0"



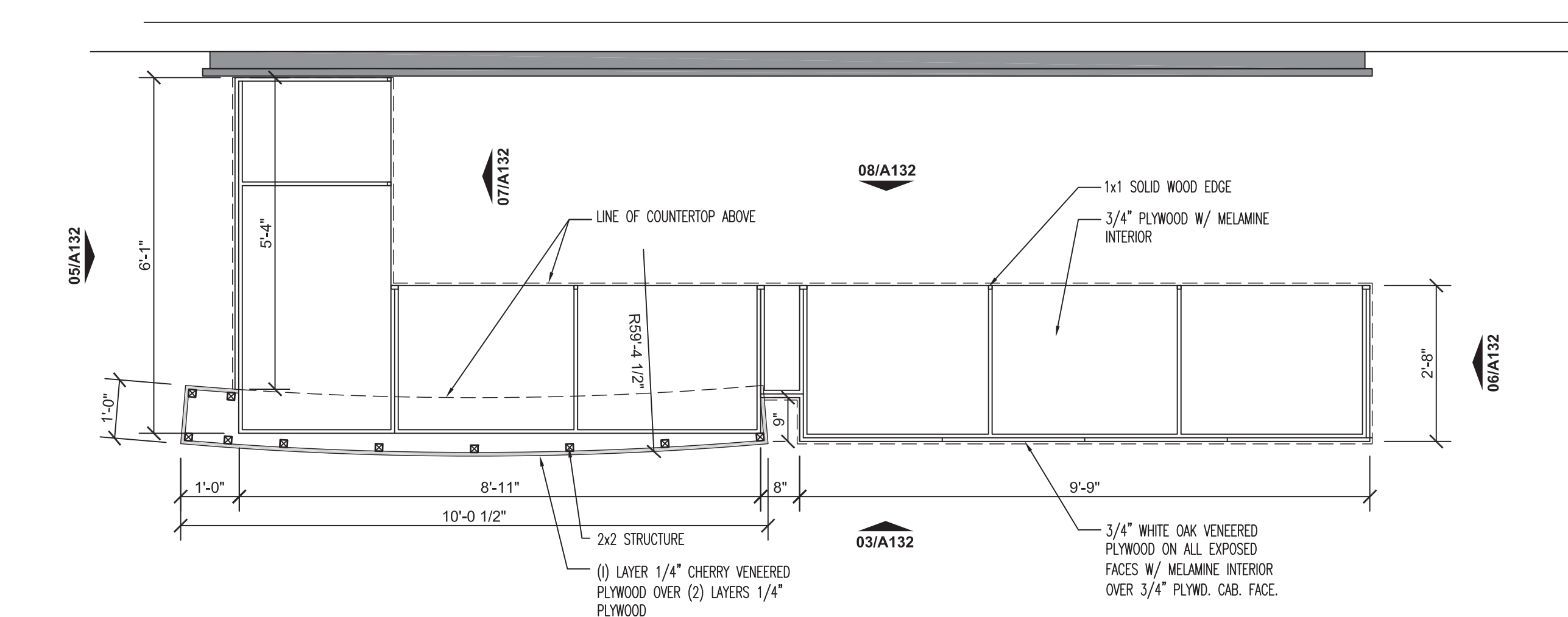
**07 INFORMATION DESK ELEVATION**  
SCALE: 1/2" = 1'-0"



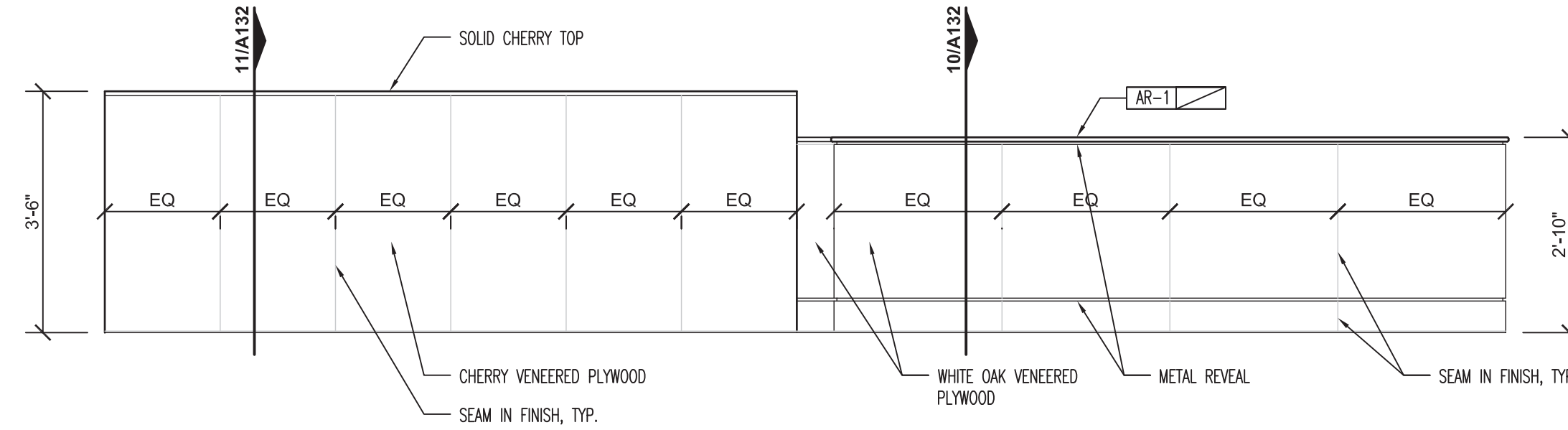
**08 INFORMATION DESK ELEVATION**  
SCALE: 1/2" = 1'-0"



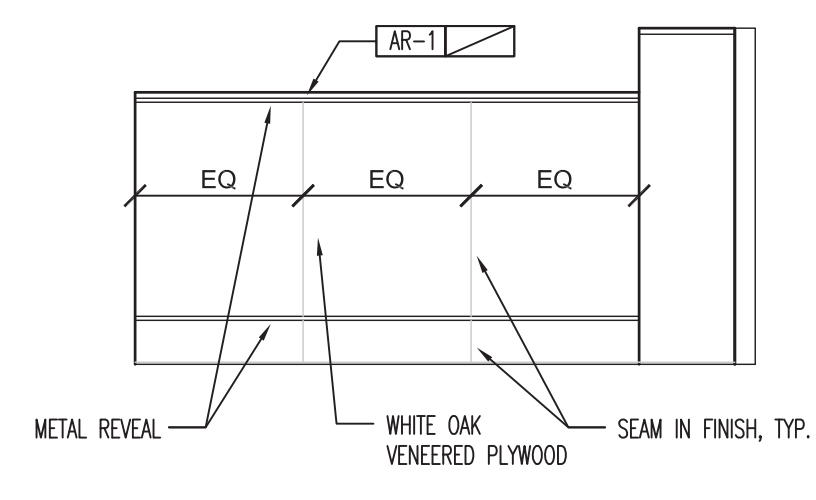
**10 ENLARGED MILLWORK SECTION**  
SCALE: 1" = 1'-0"



**01 ENLARGED INFORMATION DESK PLAN**  
SCALE: 1/2" = 1'-0"



**03 INFORMATION DESK ELEVATION**  
SCALE: 1/2" = 1'-0"



**05 INFORMATION DESK ELEVATION**  
SCALE: 1/2" = 1'-0"



**BINNERI PRESBYTERIAN CHURCH**  
RICHARDSON, TX  
1301 ABRAMS RD.  
RICHARDSON, TEXAS 75081



COPYRIGHT  
THESE DRAWINGS ARE THE PROPERTY OF  
POOLE+DRENNAN DESIGN STUDIO AND  
SHALL NOT BE DUPLICATED, DISCLOSED OR  
REUSED WITHOUT THE WRITTEN CONSENT  
OF POOLE+DRENNAN DESIGN STUDIO

DRAWN BY:	KJC
CHECKED BY:	DAD
DATE:	04.12.2017
REVISIONS:	
PROJECT NO.:	16054
SHEET TITLE:	

INTERIOR SECTIONS  
AND DETAILS

SHEET NO.:  
A-132

FILE: P:\16054 Binnerri Church Remodel\03\_CD\00\_Arch\A-132.dwg  
SCALE: 1/2" = 1'-0"  
DATE/TIME: Apr 13, 2017 10:14am  
USER: Kary Cooper XREF(s): titleblock\_3042.dwg