



BINNERI PRESBYTERIAN CHURCH
 RICHARDSON, TX
 1301 ABRAMS RD.
 ROCHARDSON, TEXAS 75081



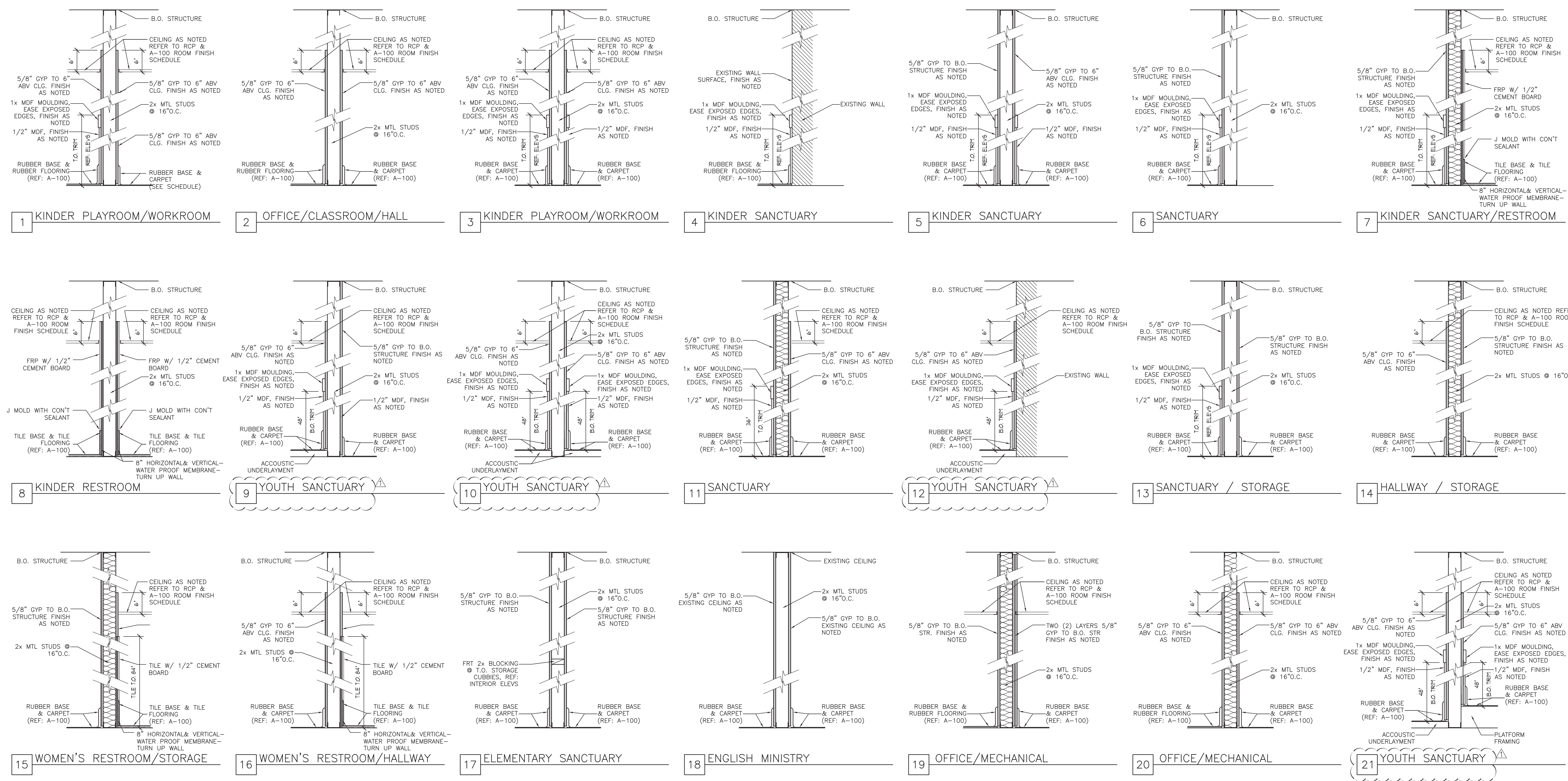
COPYRIGHT
 THESE DRAWINGS ARE THE PROPERTY OF
 POOLE+DRENNAN DESIGN STUDIO AND
 SHALL NOT BE DUPLICATED, DISCLOSED OR
 REUSED WITHOUT THE WRITTEN CONSENT
 OF POOLE+DRENNAN DESIGN STUDIO

DRAWN BY: KJC
 CHECKED BY: DAD
 DATE: 04.12.2017
 REVISIONS:
 CITY COMMENTS 06.12.2017

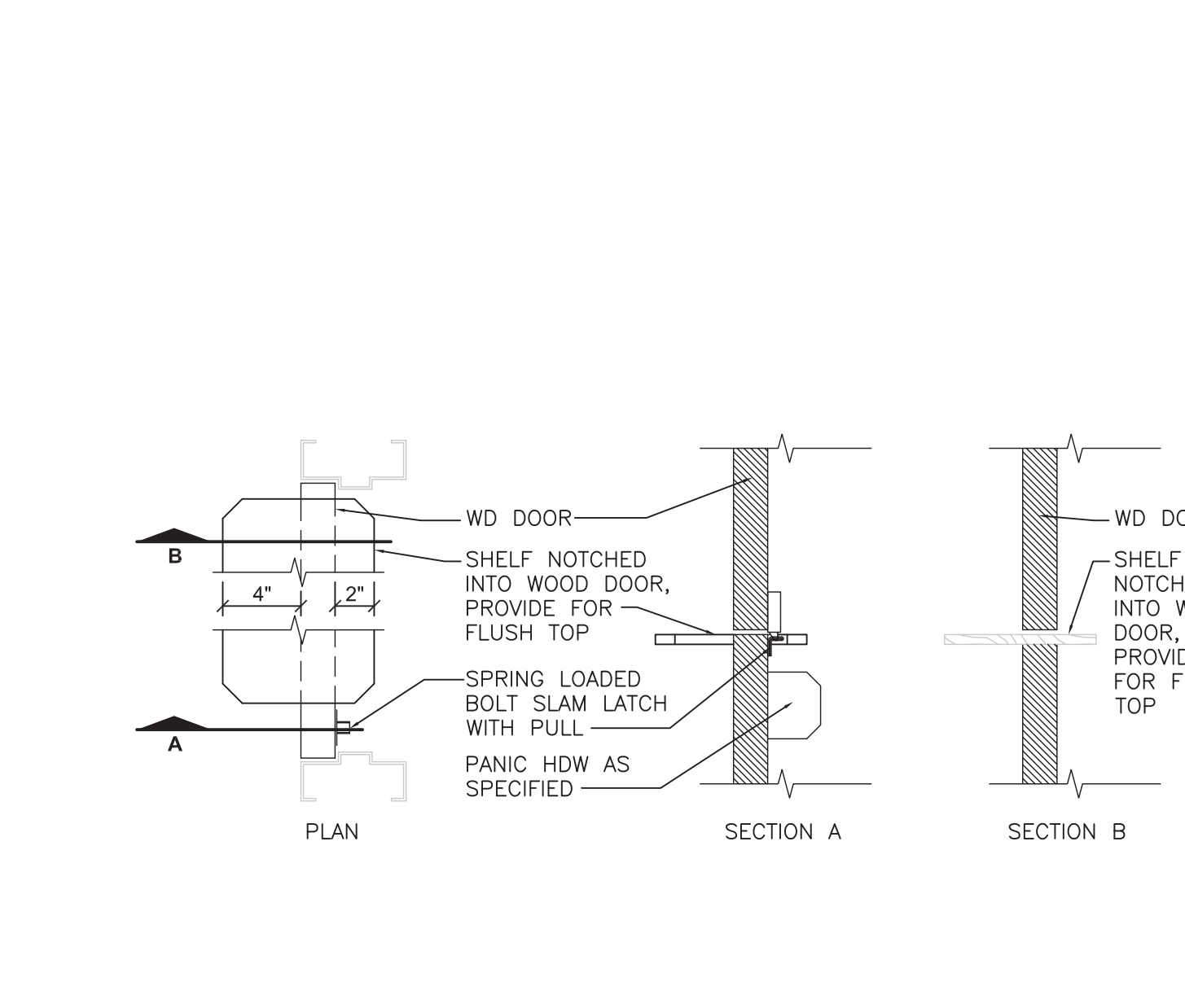
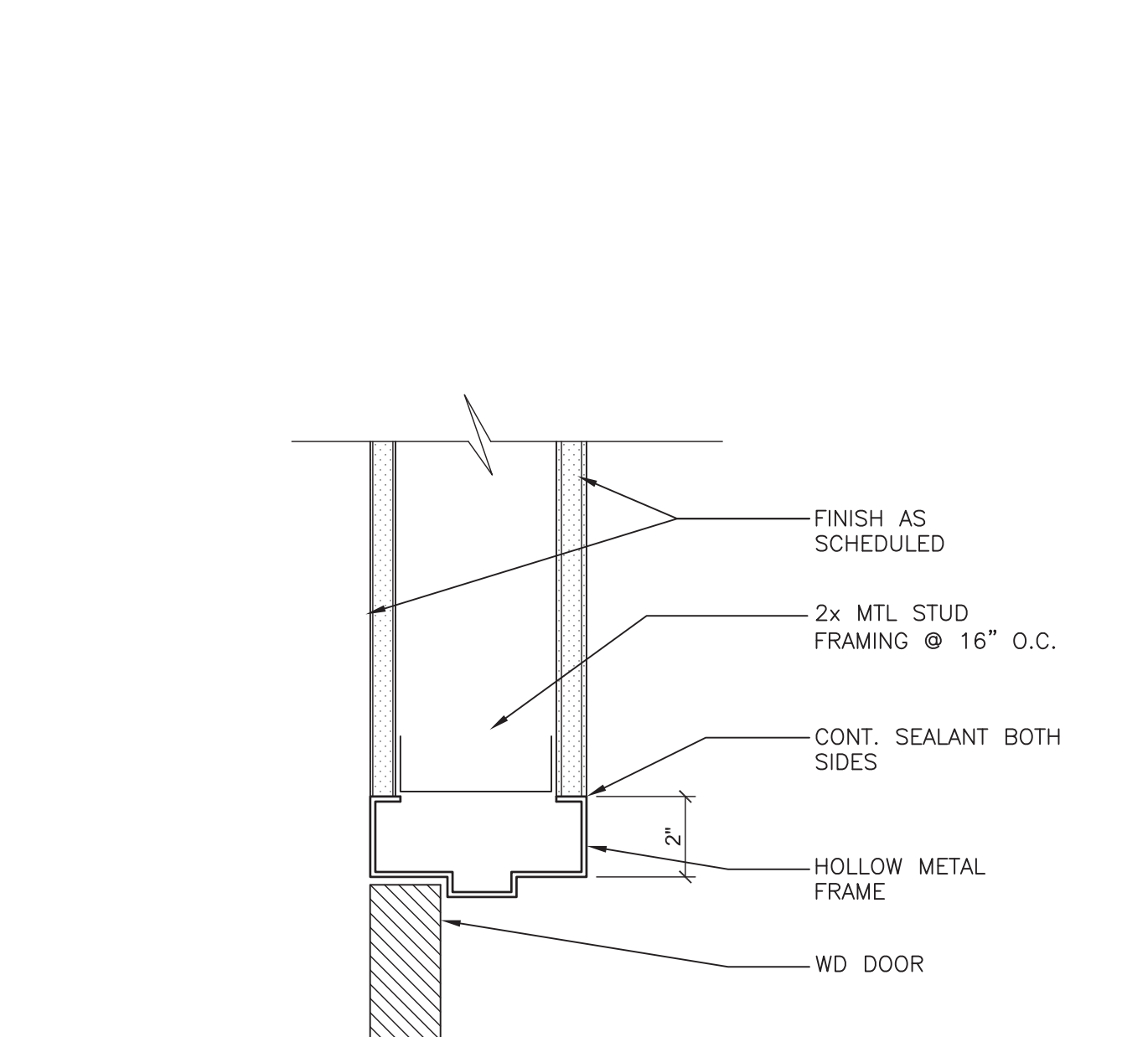
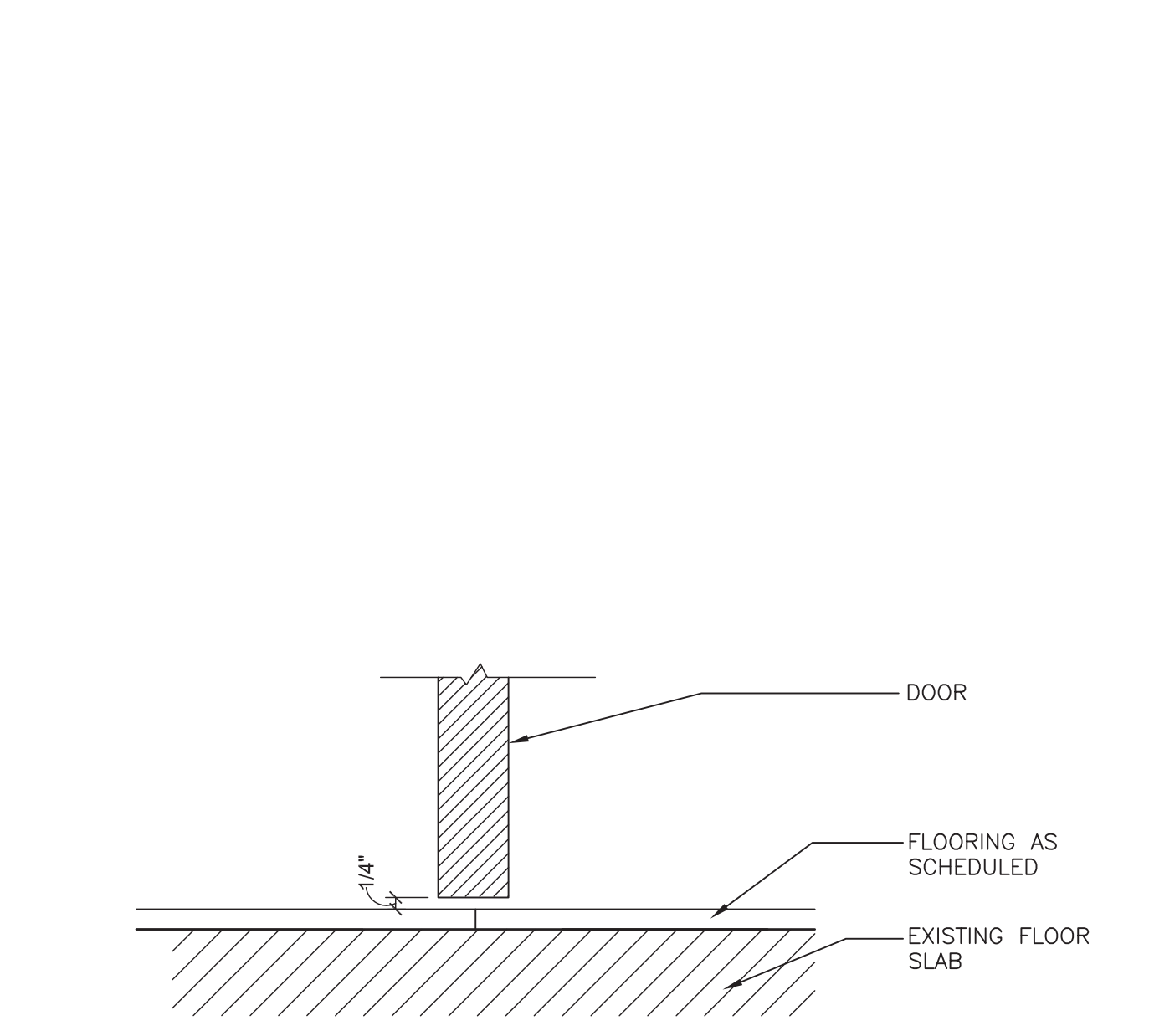
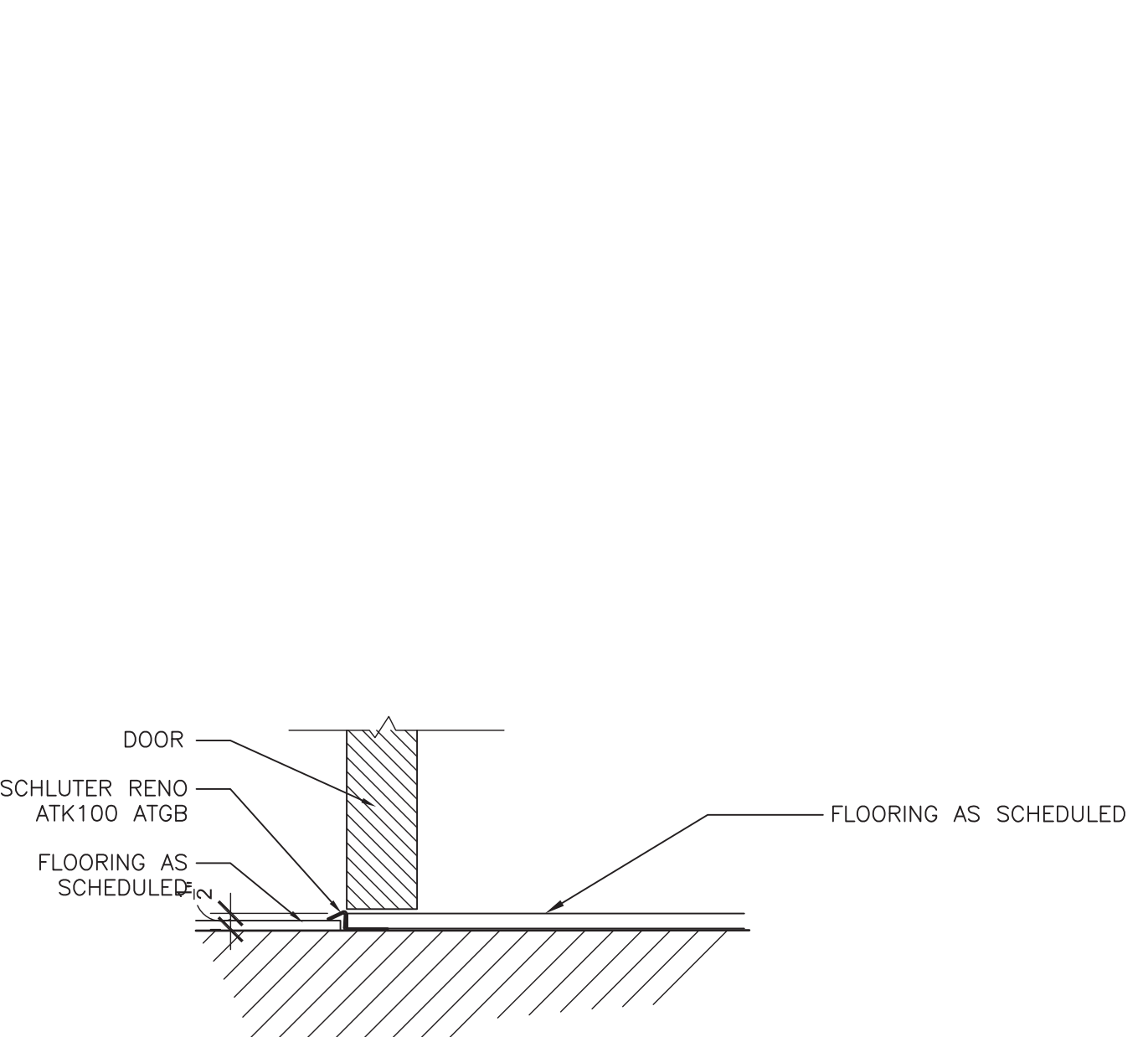
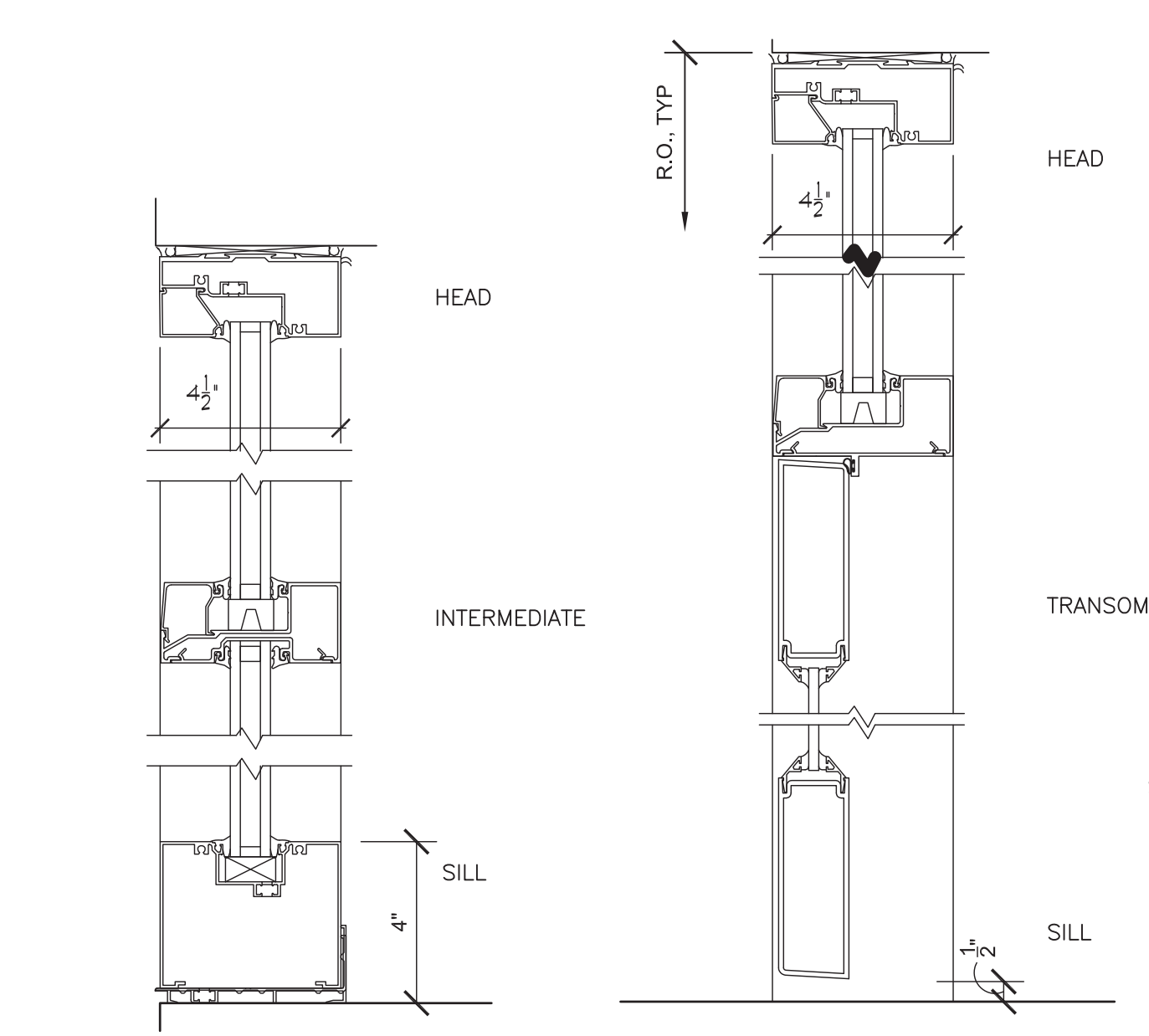
PROJECT NO.: 16054
 SHEET TITLE:

**WALL TYPES,
 DOOR DETAILS**

SHEET NO.: A-131



06 WALL TYPES
1" = 1'-0"



FILE: P:\16054 Binnerri Church Remodel\05_CAD Drawings\2017.06.12 Delta 1 - Comment Responses\A-131.dwg
 SCALE: 8 DATE/TIME: Jun 13, 2017 - 2:38pm
 USER: Kary Cooper XREF(s): titleblock_3042.dwg