



**BINNERI PRESBYTERIAN CHURCH**  
**RICHARDSON, TX**  
 1301 ABRAMS RD.  
 ROCHARDSON, TEXAS 75081



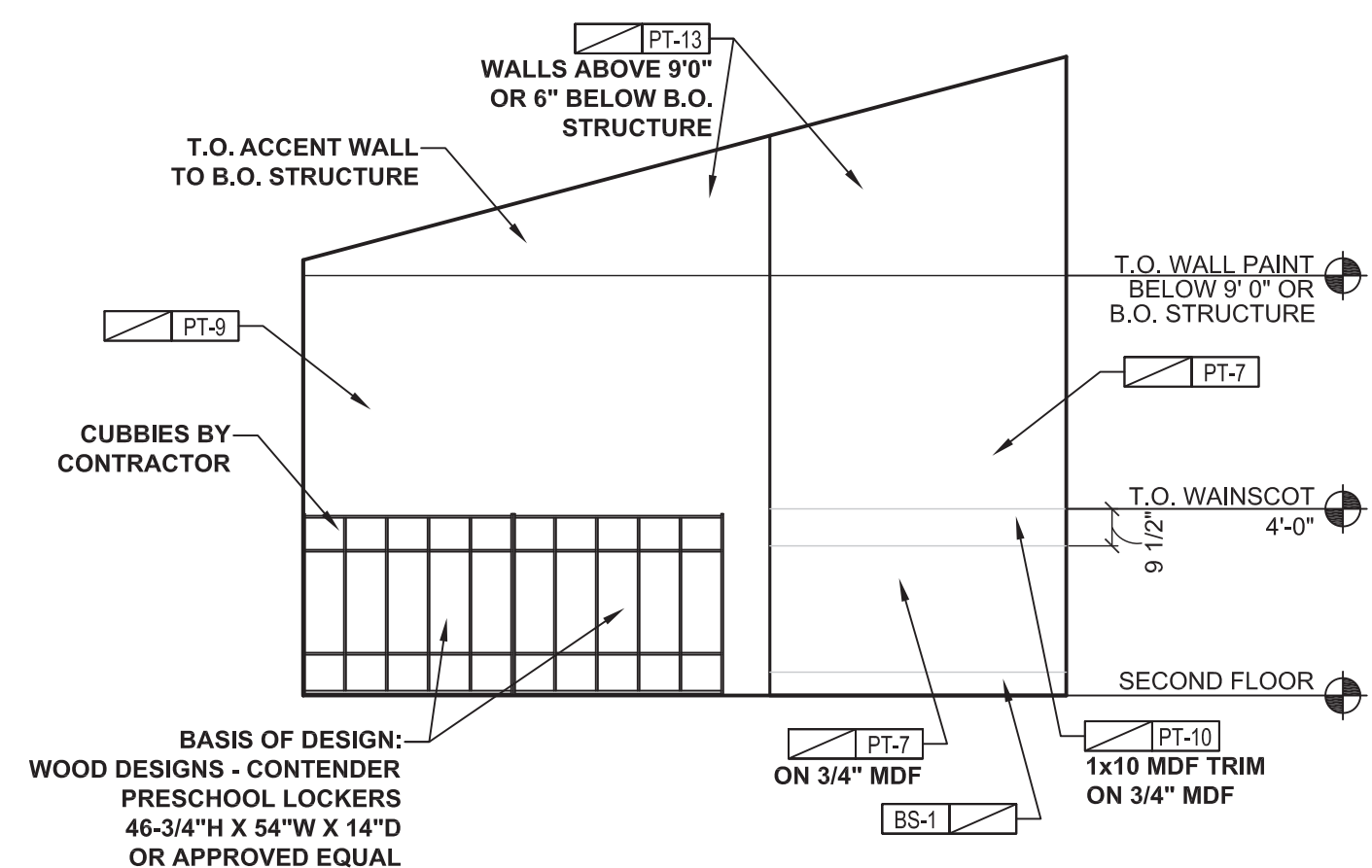
COPYRIGHT  
 THESE DRAWINGS ARE THE PROPERTY OF  
 POOLE+DRENNAN DESIGN STUDIO AND  
 SHALL NOT BE DUPLICATED, DISCLOSED OR  
 REUSED WITHOUT THE WRITTEN CONSENT  
 OF POOLE+DRENNAN DESIGN STUDIO

DRAWN BY: KJC  
 CHECKED BY: DAD  
 DATE: 04.12.2017  
 REVISIONS:

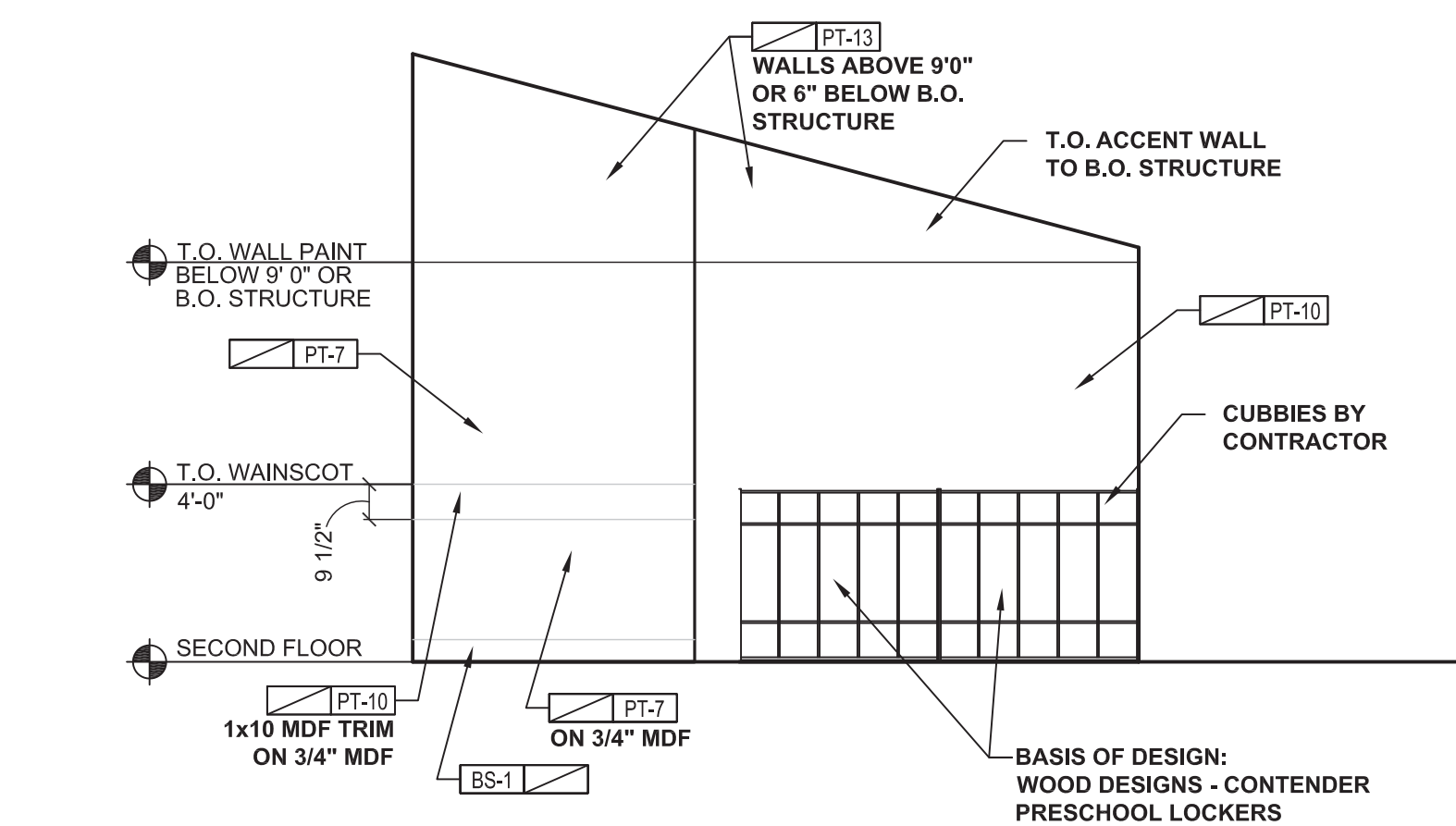
PROJECT NO.: 16054  
 SHEET TITLE:

INTERIOR  
 ELEVATIONS

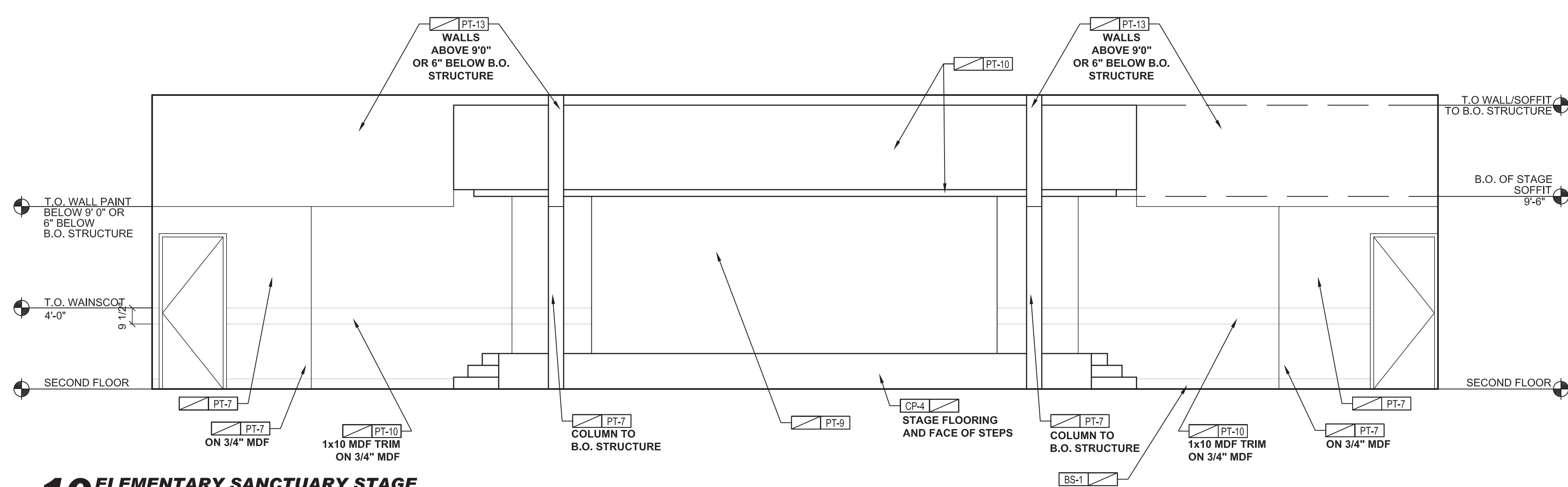
SHEET NO.: A-122



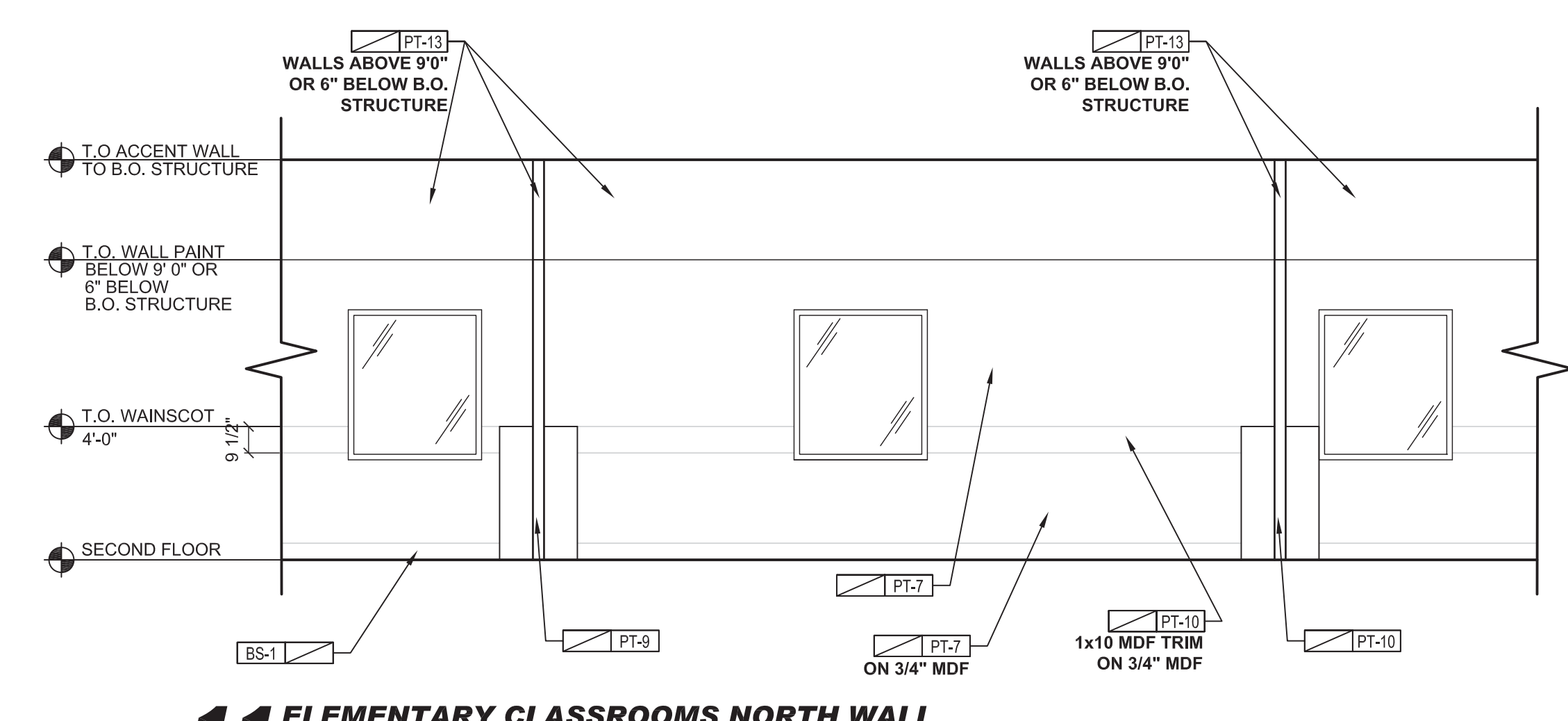
**12 ELEMENTARY 4TH GRADE EAST WALL**  
 1/4" = 1'-0"



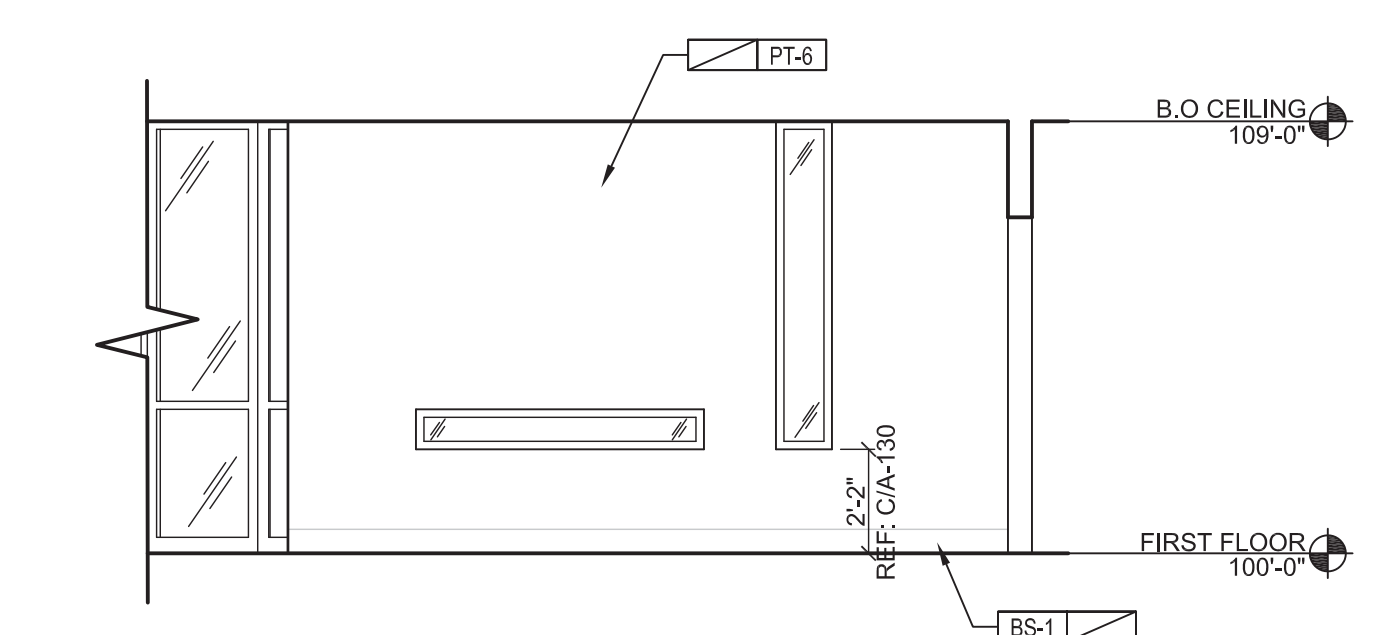
**13 ELEMENTARY 1ST GRADE WEST WALL**  
 1/4" = 1'-0"



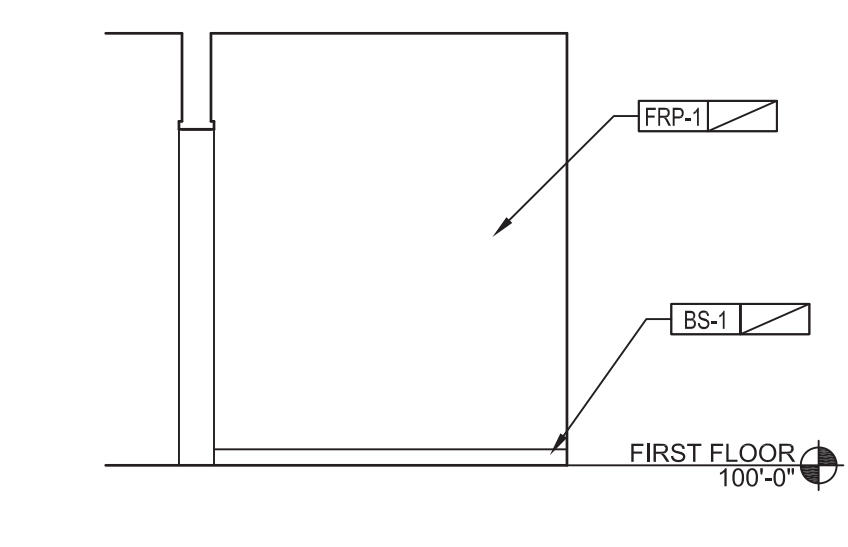
**10 ELEMENTARY SANCTUARY STAGE**  
 1/4" = 1'-0"



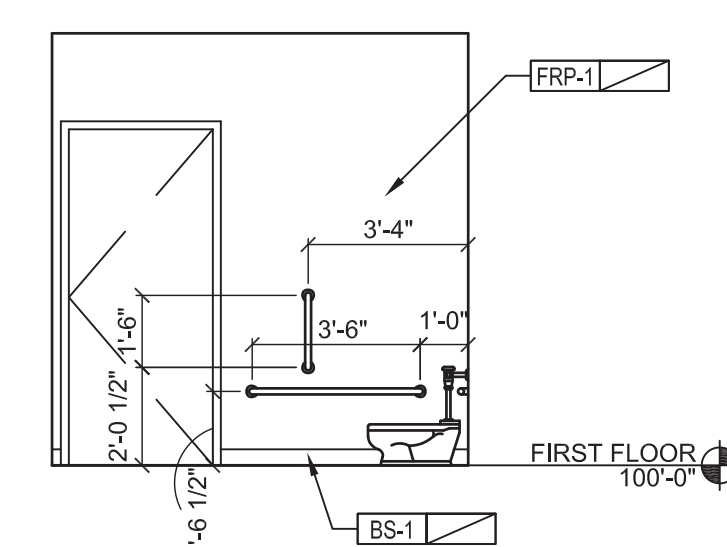
**11 ELEMENTARY CLASSROOMS NORTH WALL**  
 1/4" = 1'-0"



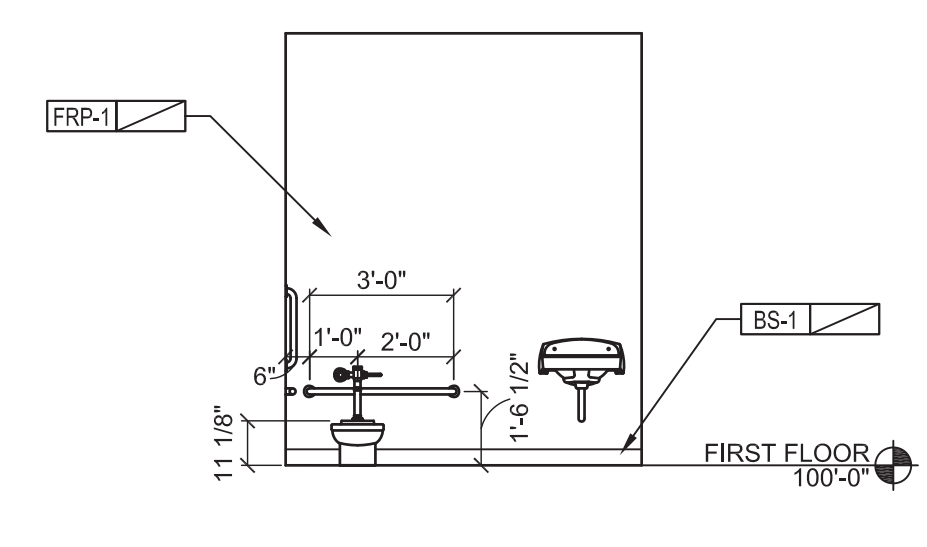
**05 KINDER ENTRY HALLWAY**  
 1/4" = 1'-0"



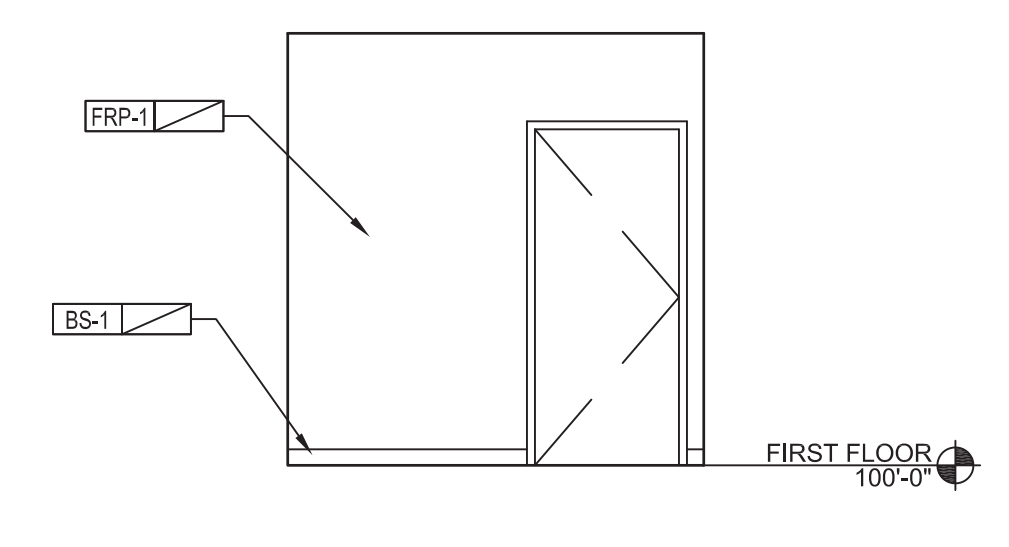
**06 KINDER RESTROOM**  
 1/4" = 1'-0"



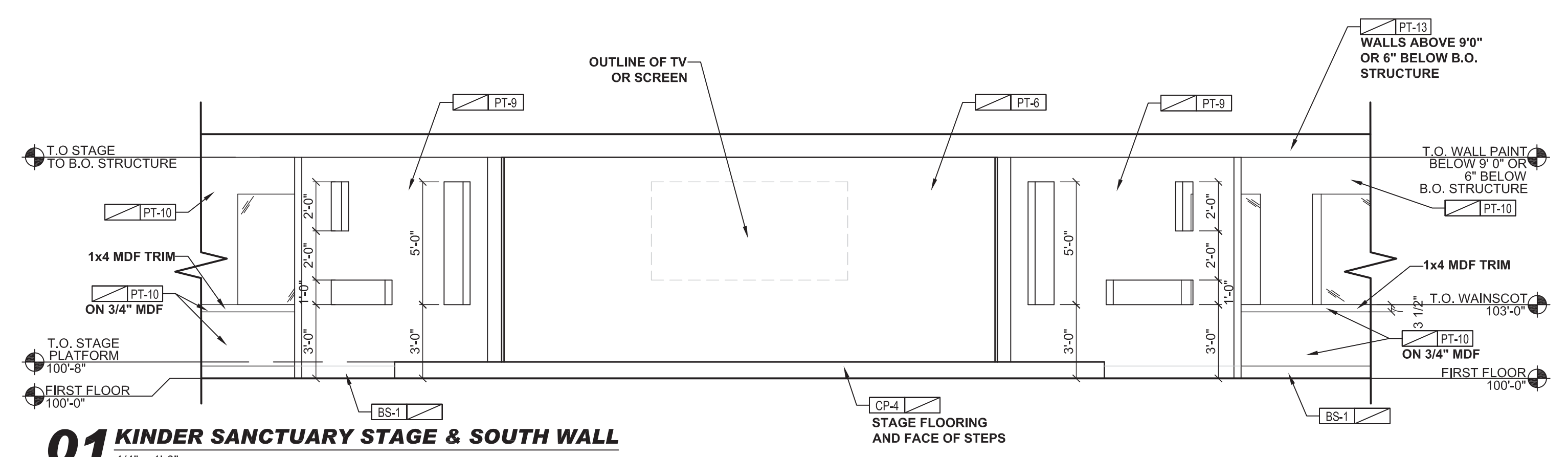
**07 KINDER RESTROOM**  
 1/4" = 1'-0"



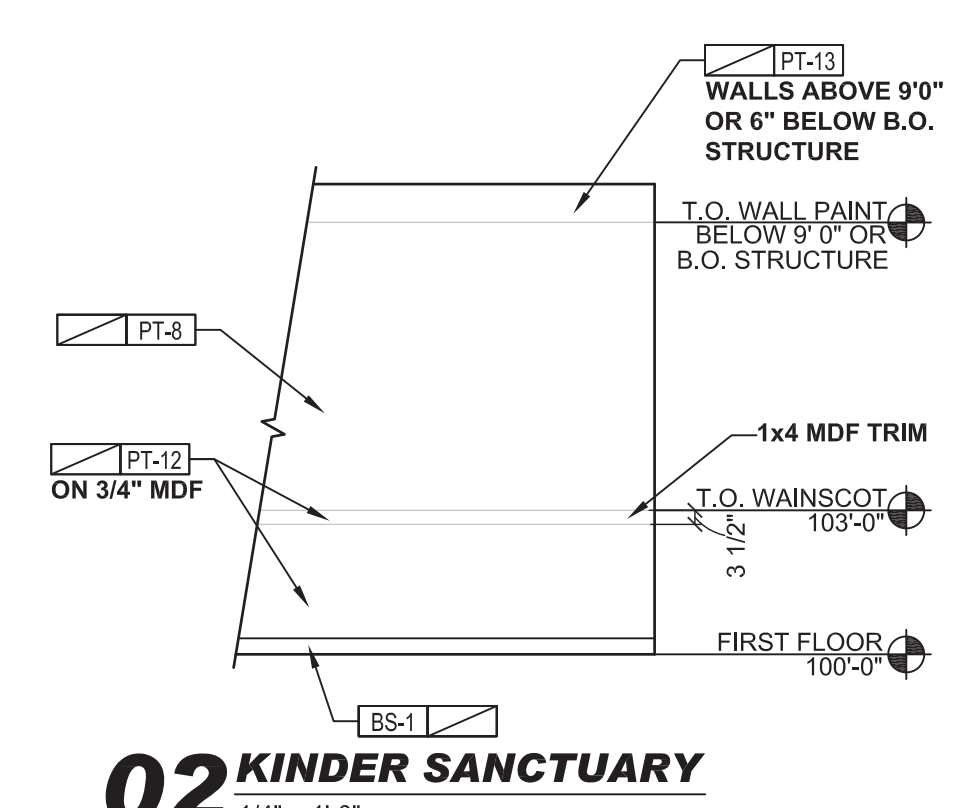
**08 KINDER RESTROOM**  
 1/4" = 1'-0"



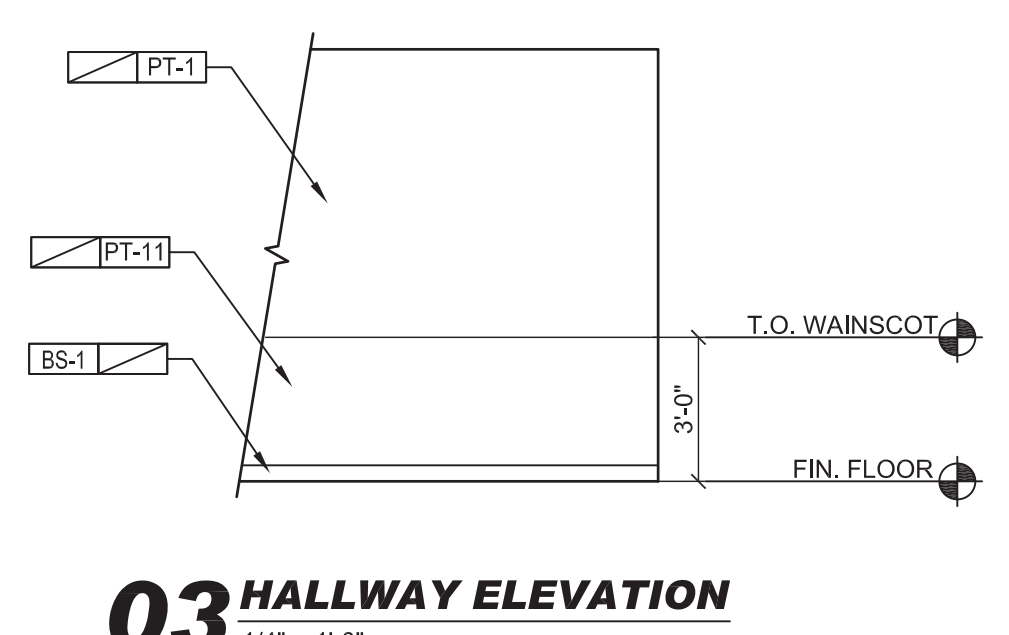
**09 KINDER RESTROOM**  
 1/4" = 1'-0"



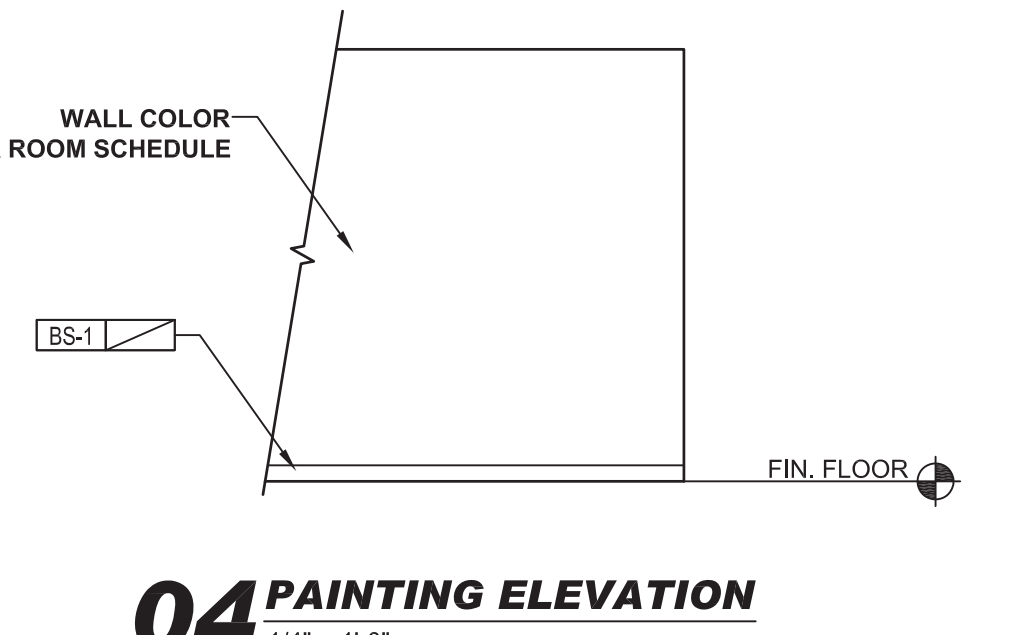
**01 KINDER SANCTUARY STAGE & SOUTH WALL**  
 1/4" = 1'-0"



**02 KINDER SANCTUARY**  
 1/4" = 1'-0"



**03 HALLWAY ELEVATION**  
 1/4" = 1'-0"



**04 PAINTING ELEVATION**  
 1/4" = 1'-0"

FILE: C:\Users\Kary Cooper\AppData\Local\Temp\AcPublish\_12048\A-122.dwg  
 SCALE: 1 DATE/TIME: Apr 13, 2017 10:09am  
 USER: Kary Cooper XREF(s): xbase-LEVEL1 Phase 1.dwg xbase-GRID1.dwg xbase-LEVEL2.dwg xbase-GRID2.dwg