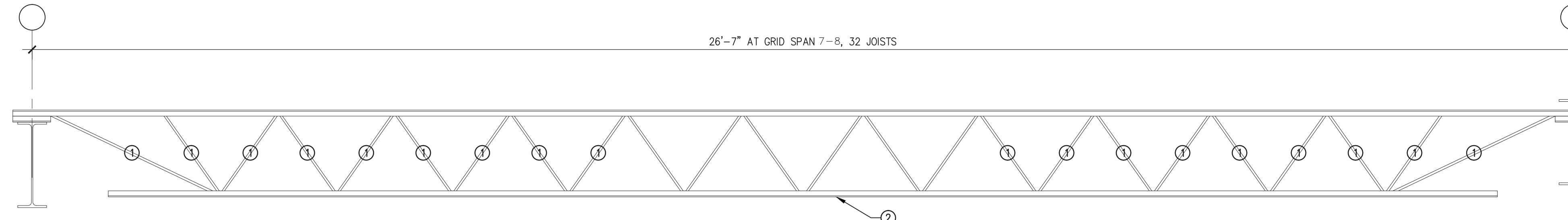


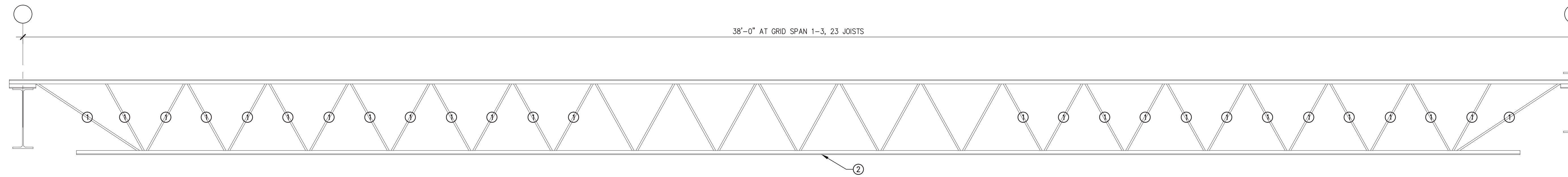
01 18K4 STEEL JOIST REINFORCEMENT
SCALE: 3/4"=1'-0"

- NOTES:
 ① REINFORCE WEB ROD BOTH SIDES
 ② REINFORCE BOTTOM CHORD FULL LENGTH



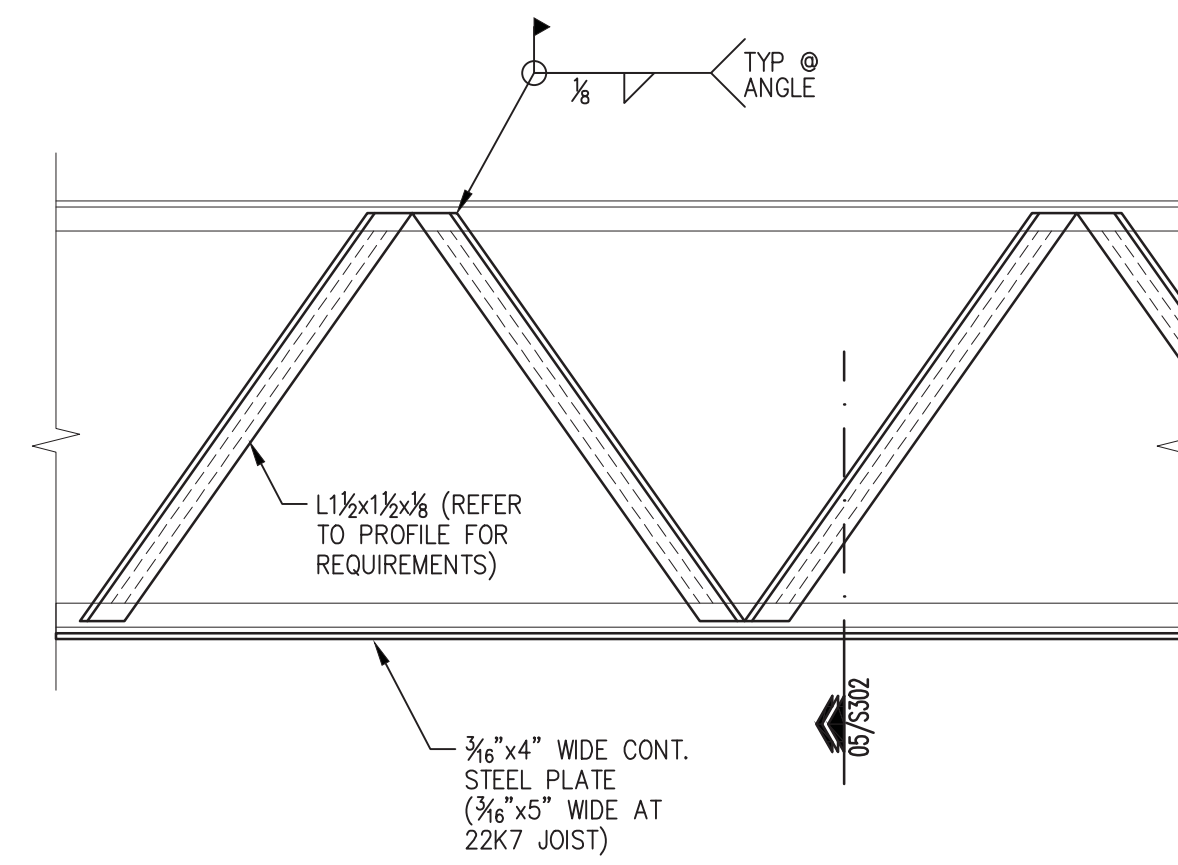
02 18K4 STEEL JOIST REINFORCEMENT
SCALE: 3/4"=1'-0"

- NOTES:
 ① REINFORCE WEB ROD BOTH SIDES
 ② REINFORCE BOTTOM CHORD FULL LENGTH

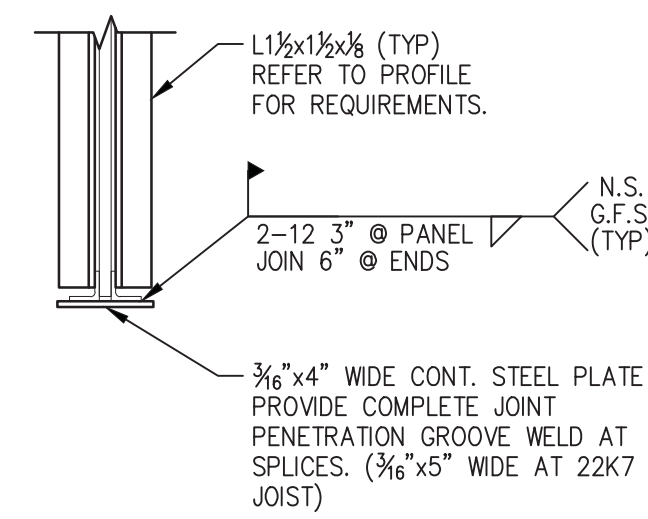


03 22K7 STEEL JOIST REINFORCEMENT
SCALE: 3/4"=1'-0"

- NOTES:
 ① REINFORCE WEB ROD BOTH SIDES
 ② REINFORCE BOTTOM CHORD FULL LENGTH



04 DETAIL
SCALE: 1 1/2"=1'-0"



06 DETAIL
SCALE: 1 1/2"=1'-0"

THIS DOCUMENT IS RELEASED FOR THE PURPOSE OF: BID. UNDER THE AUTHORITY OF: ANDREW J. LLORET, P.E. 72614. ON: JULY 6, 2017. IT IS NOT TO BE USED FOR: PERMIT OR CONSTRUCTION.

Ronald R. Roberts
 Associates, Inc.
 Consulting Engineers
 TX FIRM REG. #911
 2948 N. Stemmons Freeway
 Dallas, Texas 75247-6103
 Phone: (214) 637-6299 www.rara.net

BINNERI PRESBYTERIAN CHURCH
 RICHARDSON, TX
 1301 ABRAMS ROAD
 RICHARDSON, TEXAS 75081

p+d
 poole+drennan
 design studio
 931 N Edgfield Ave
 Dallas, Texas 75208
 Ph: 886.707.0104
 info@pooldrennan.com

COPYRIGHT
 THESE DRAWINGS ARE THE PROPERTY OF POOLE+DRENNAN DESIGN STUDIO AND SHALL NOT BE DUPLICATED, DISCLOSED OR REUSED WITHOUT THE WRITTEN CONSENT OF POOLE+DRENNAN DESIGN STUDIO

DRAWN BY:
 CHECKED BY:
 DATE: **04.12.2017**
 REVISIONS:
 CITY COMMENTS 06.12.2017

PROJECT NO.: **16054**
 SHEET TITLE: **PHASE 1 FRAMING DETAILS**
 SHEET NO.: **S302**