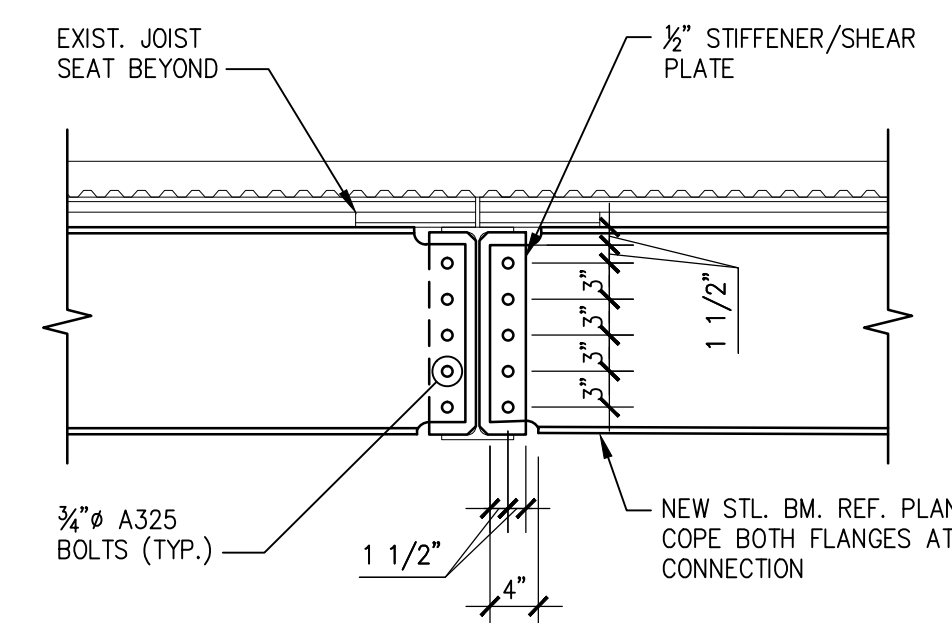
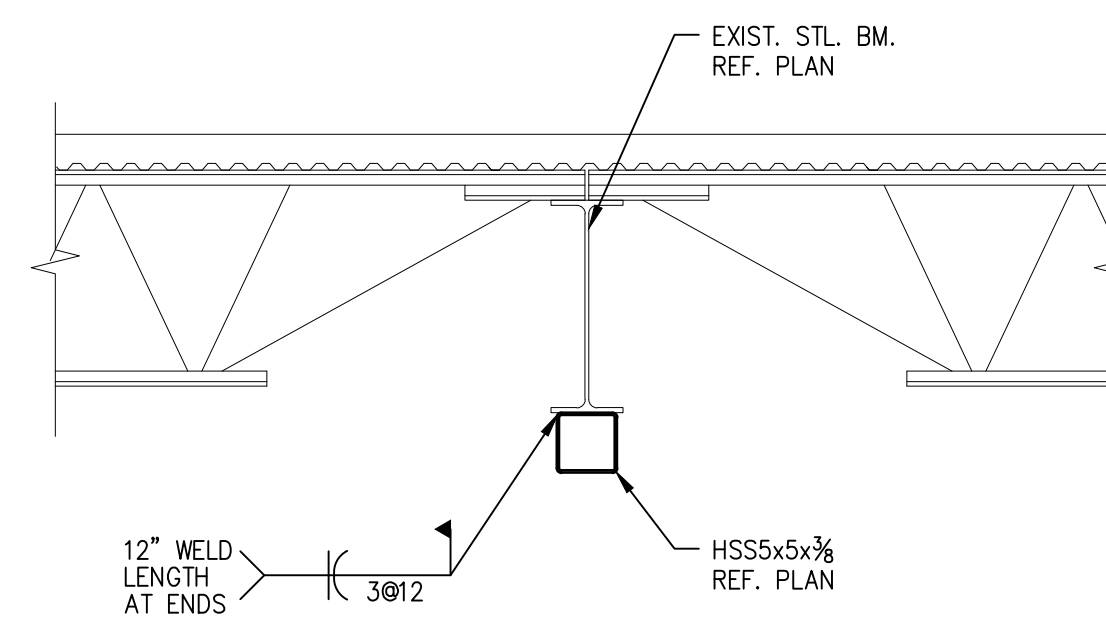


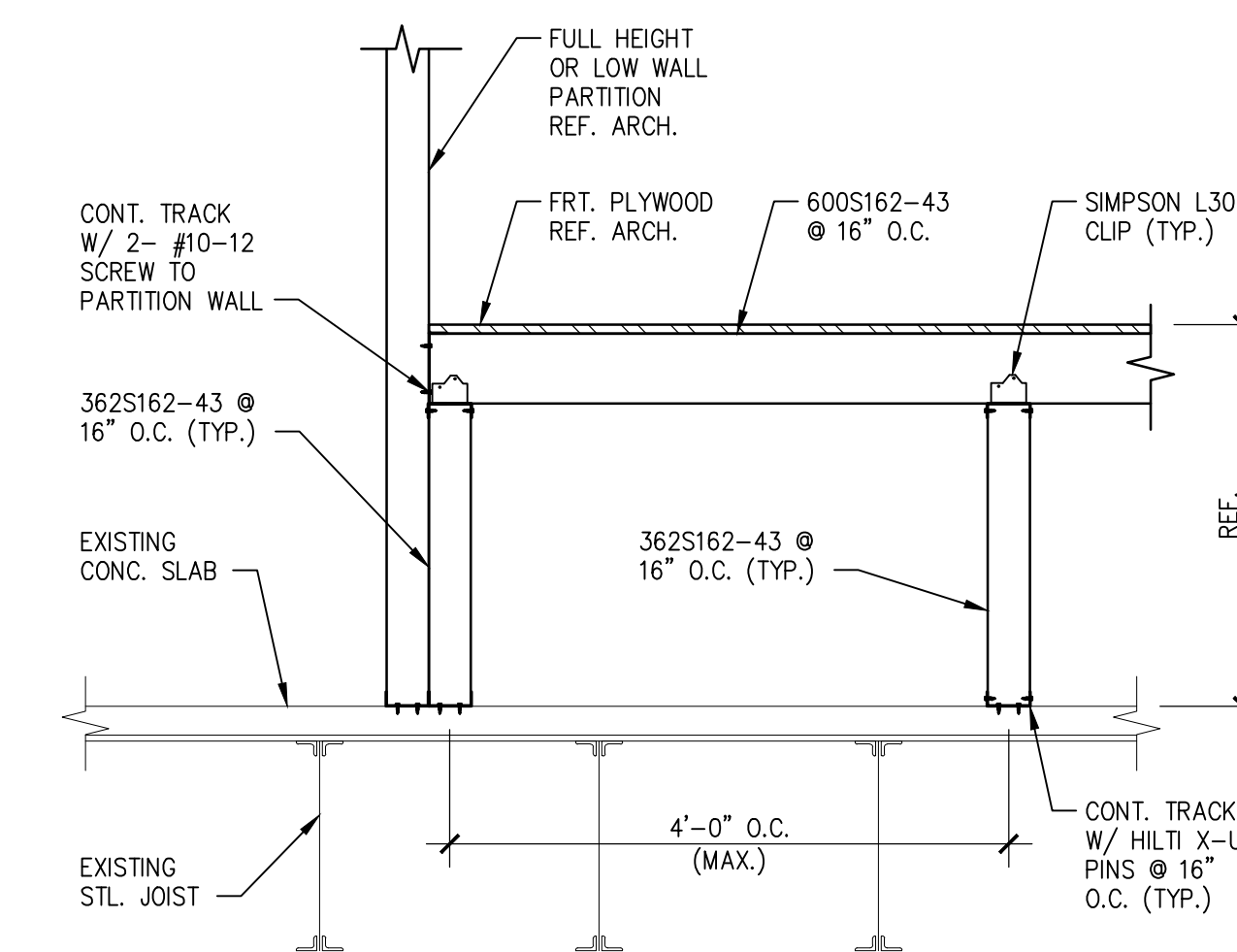
**01 SECTION**  
SCALE: 3/4"=1'-0"



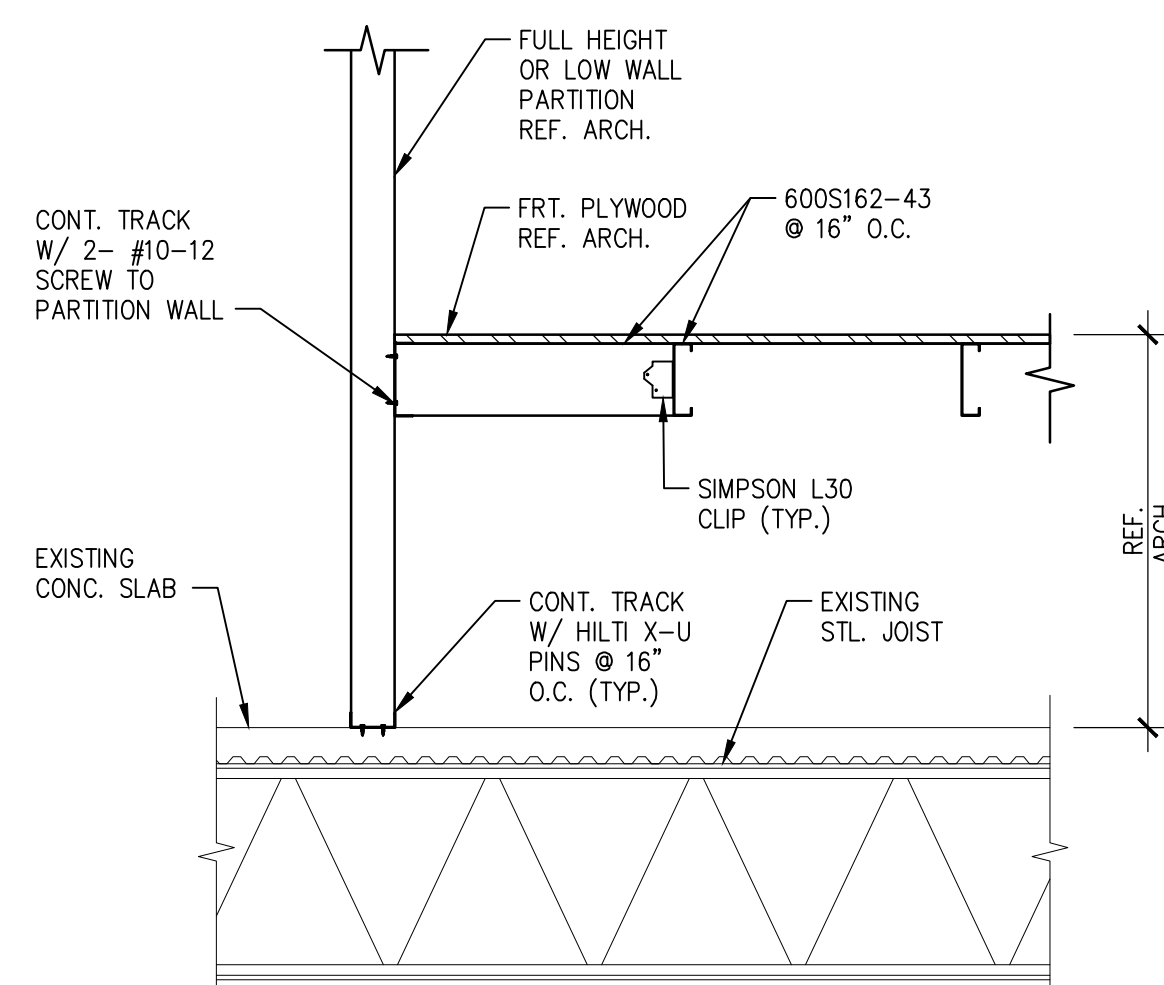
**02 SECTION**  
SCALE: 3/4"=1'-0"



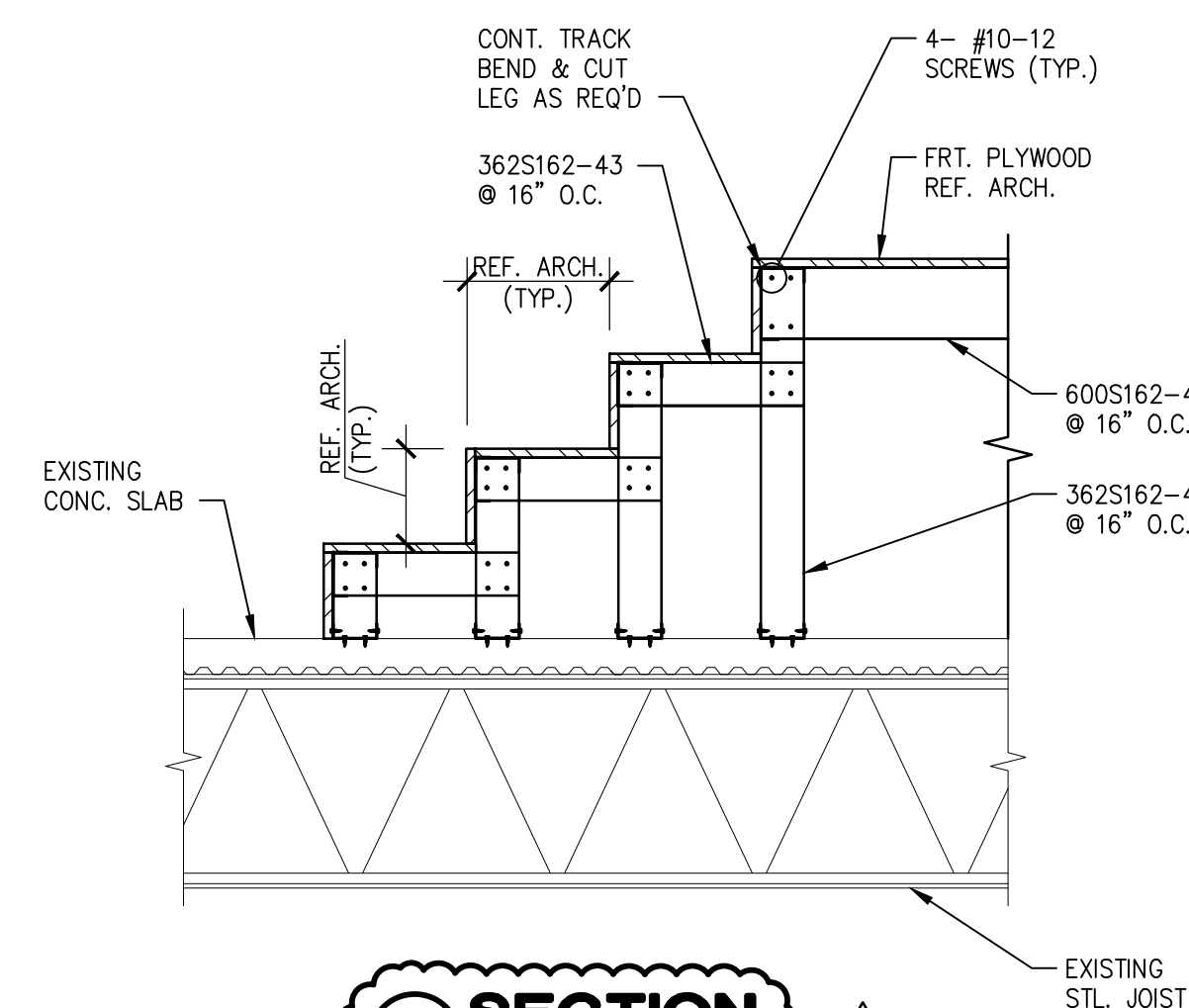
**03 SECTION**  
SCALE: 3/4"=1'-0"



**04 SECTION**  
SCALE: 3/4"=1'-0"

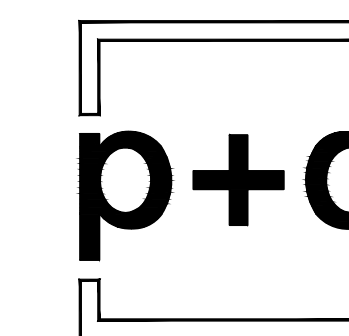


**05 SECTION**  
SCALE: 3/4"=1'-0"



**06 SECTION**  
SCALE: 3/4"=1'-0"

**BINNERI PRESBYTERIAN CHURCH**  
RICHARDSON, TX  
1301 ABRAMS ROAD  
RICHARDSON, TEXAS 75081



poole+drennan  
design studio  
931 N Edgfield Ave  
Dallas, Texas 75208  
Ph: 888.707.0104  
info@pooldrennan.com

COPYRIGHT  
THESE DRAWINGS ARE THE PROPERTY OF  
POOLE+DRENNAN DESIGN STUDIO AND  
SHALL NOT BE DUPLICATED, DISCLOSED OR  
REUSED WITHOUT THE WRITTEN CONSENT  
OF POOLE+DRENNAN DESIGN STUDIO

DRAWN BY:  
CHECKED BY:  
DATE: **04.12.2017**  
REVISIONS:  
CITY COMMENTS 06.12.2017

PROJECT NO.: **16054**  
SHEET TITLE:  
**PHASE 1  
FRAMING DETAILS**

SHEET NO.:  
**S301**



**Ronald R. Roberts**  
Associates, Inc.  
Consulting Engineers  
TX. FIRM REG. #911  
2943 N. Stemmons Freeway  
Dallas, Texas 75247-6103  
Phone: (214) 637-6299 www.rara.net

X:\PROJECTS\9505\PROJECTS\16054\Binner Church Framing 16054.dwg, S301, 04/19/2017 10:27:56 AM, created: DWG, to: PDF, pdf, ARCH, full sheet, E:\030004\2017\16054.dwg, 11