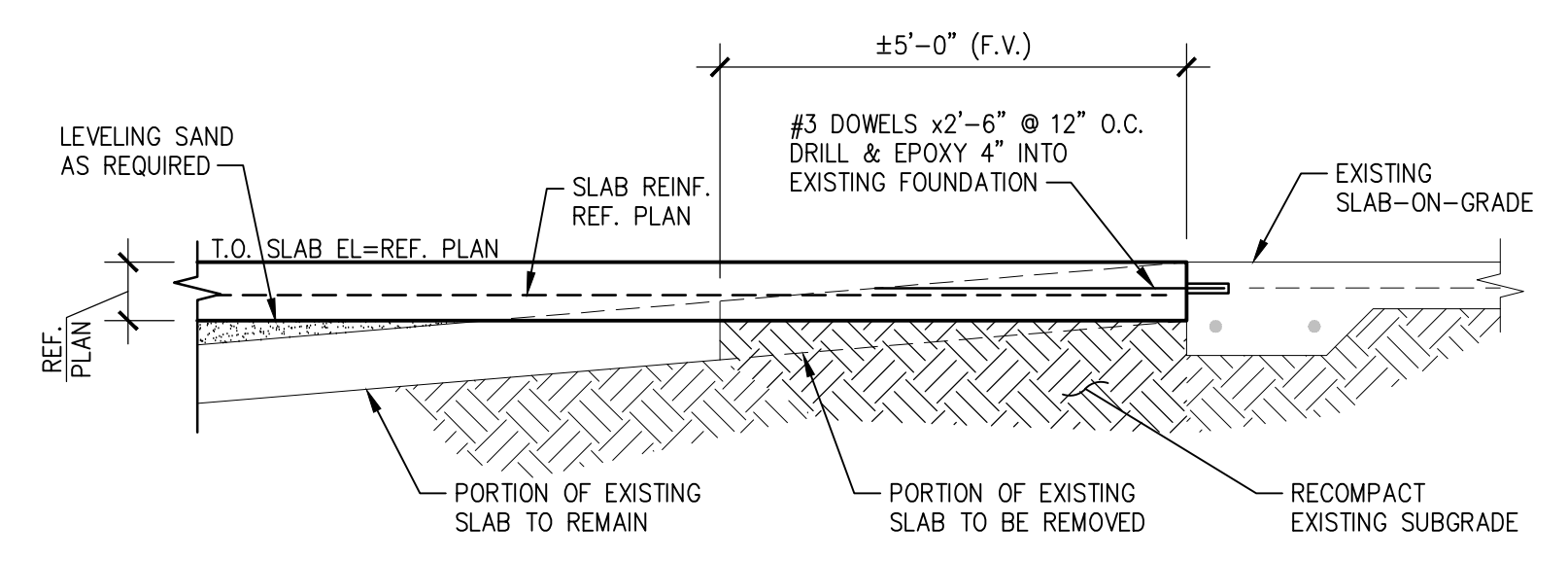
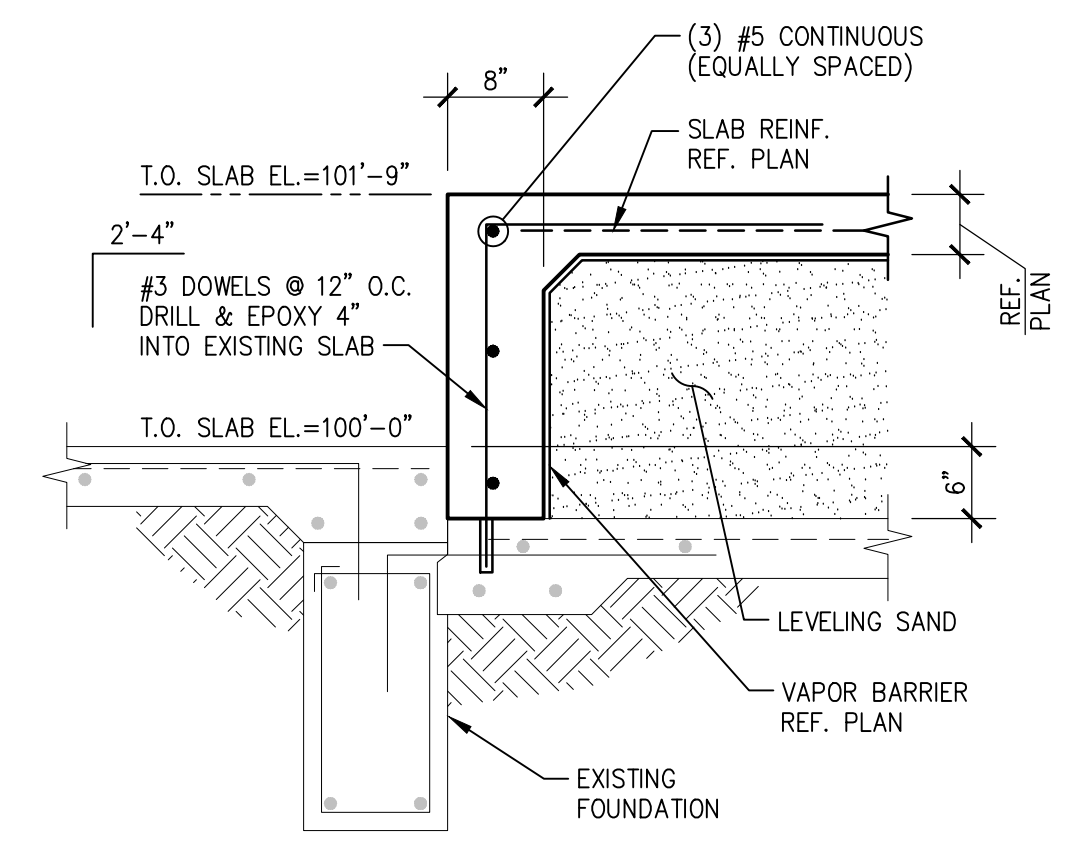


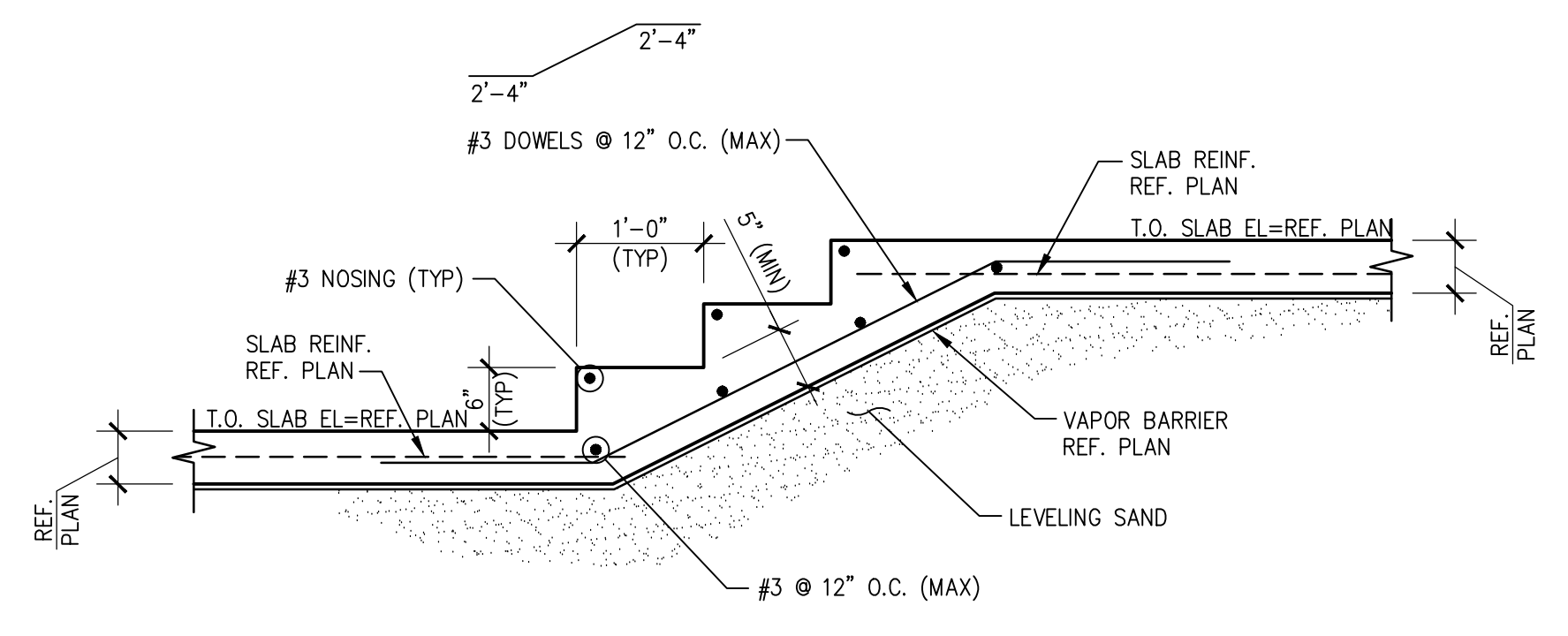
01 SECTION
SCALE: 3/4"=1'-0"



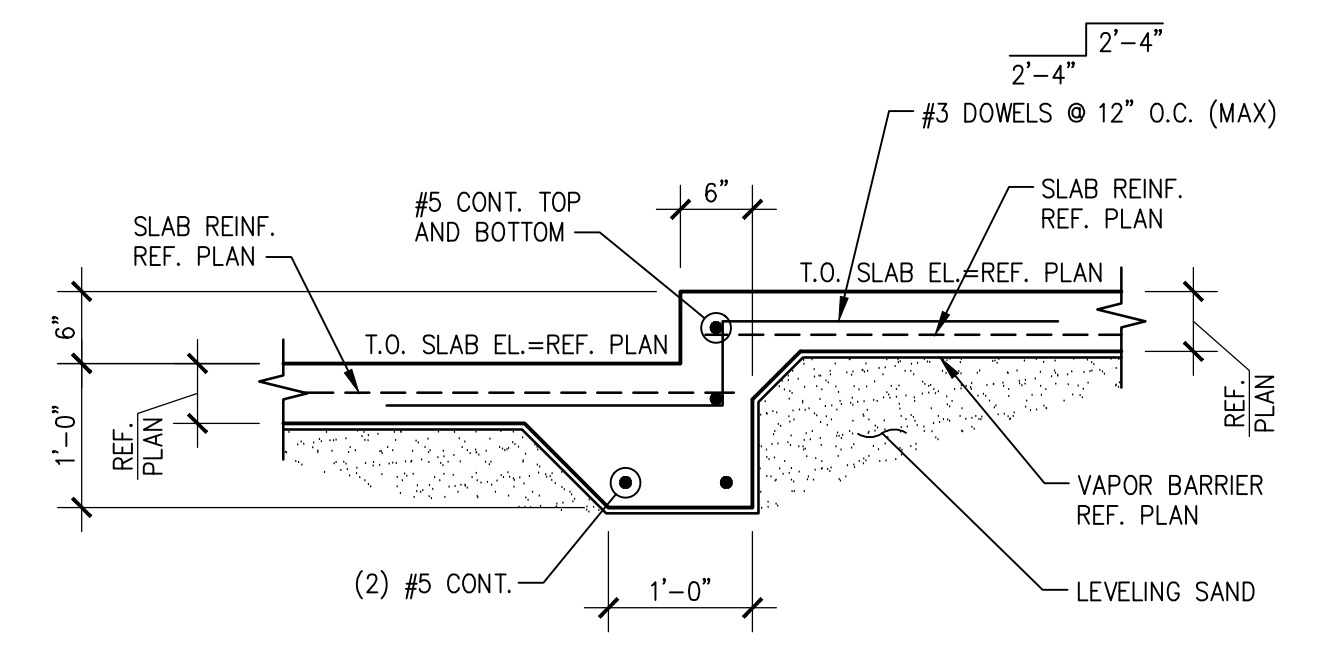
02 SECTION
SCALE: 3/4"=1'-0"



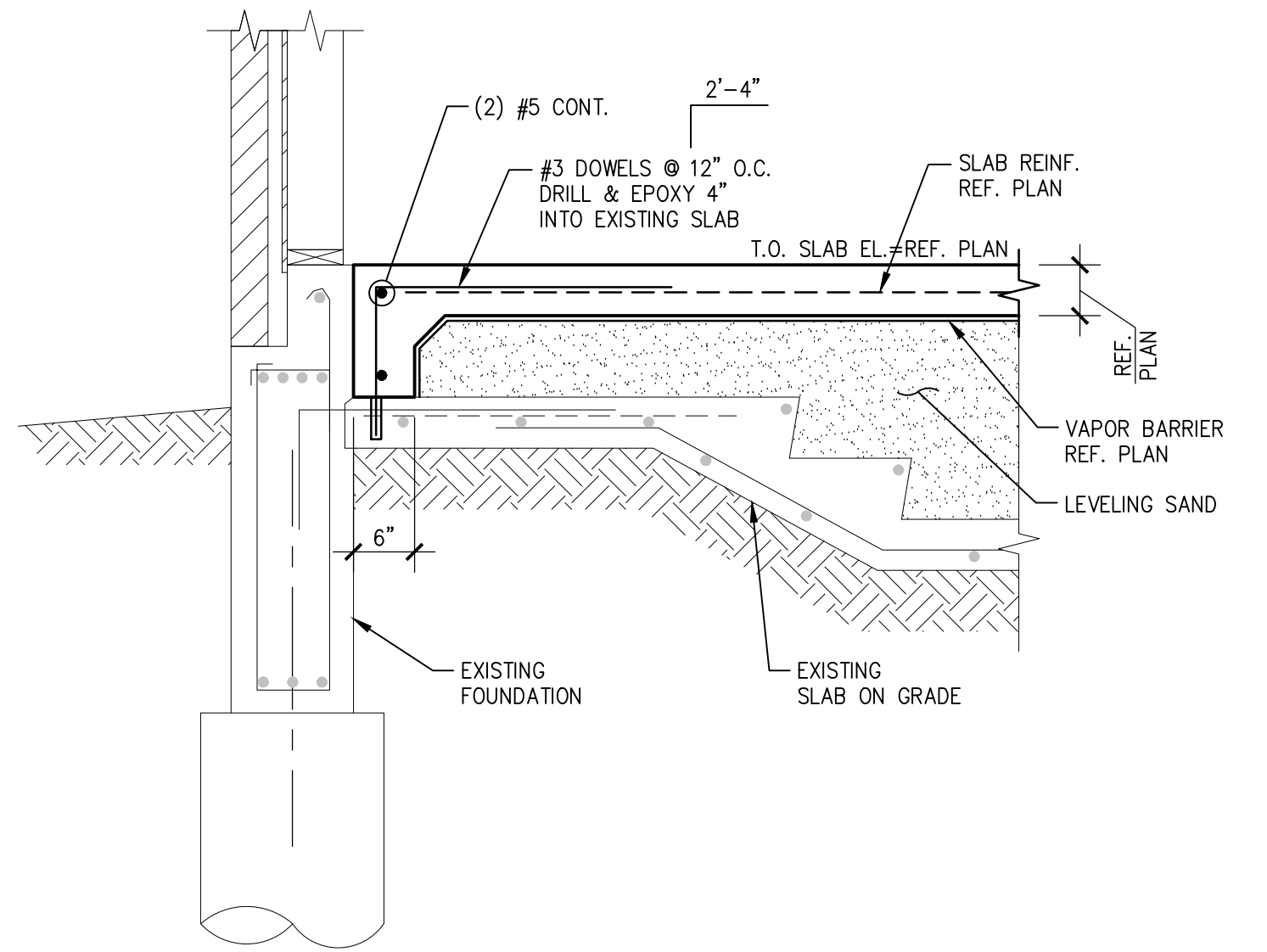
03 SECTION
SCALE: 3/4"=1'-0"



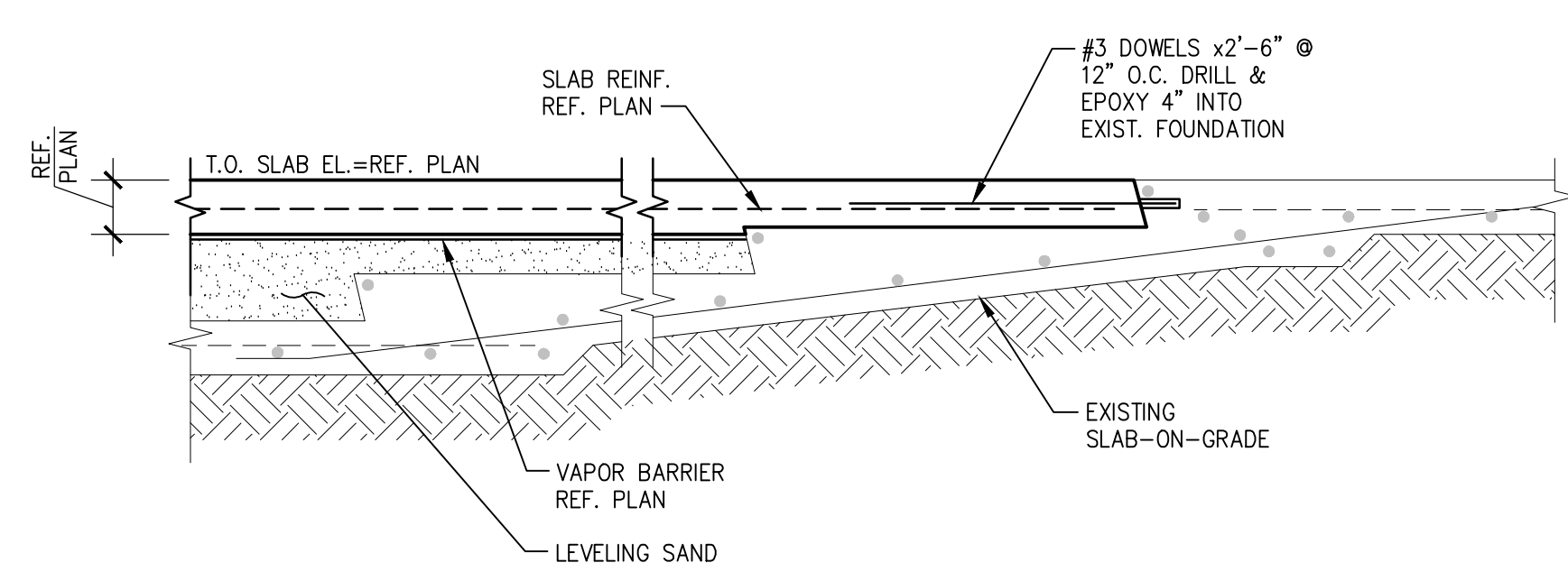
04 SECTION
SCALE: 3/4"=1'-0"



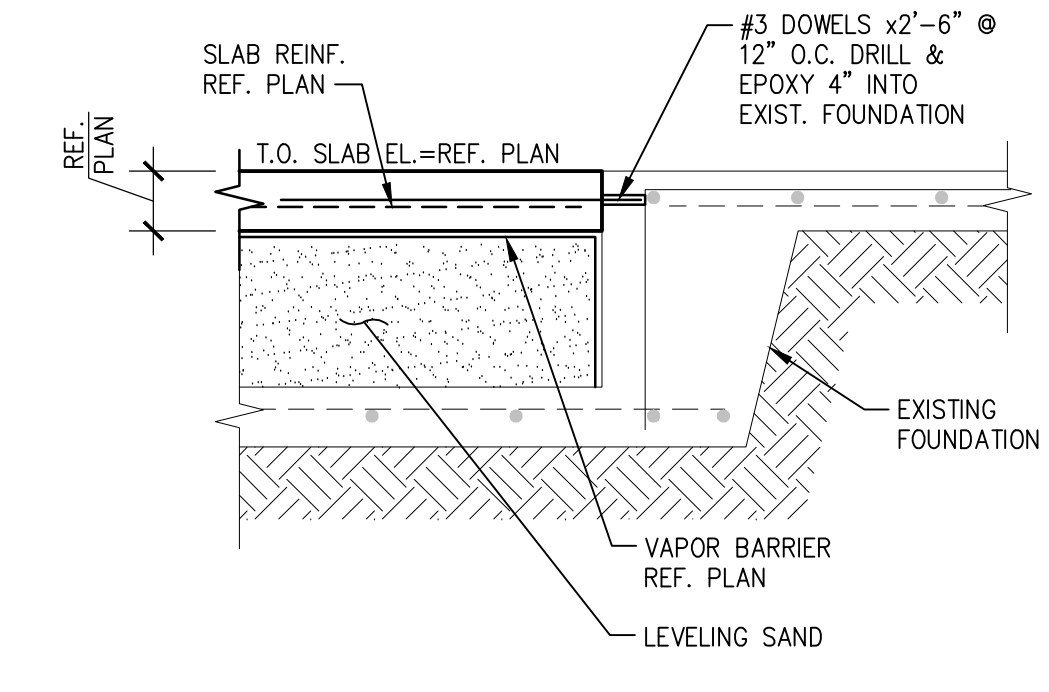
05 SECTION
SCALE: 3/4"=1'-0"



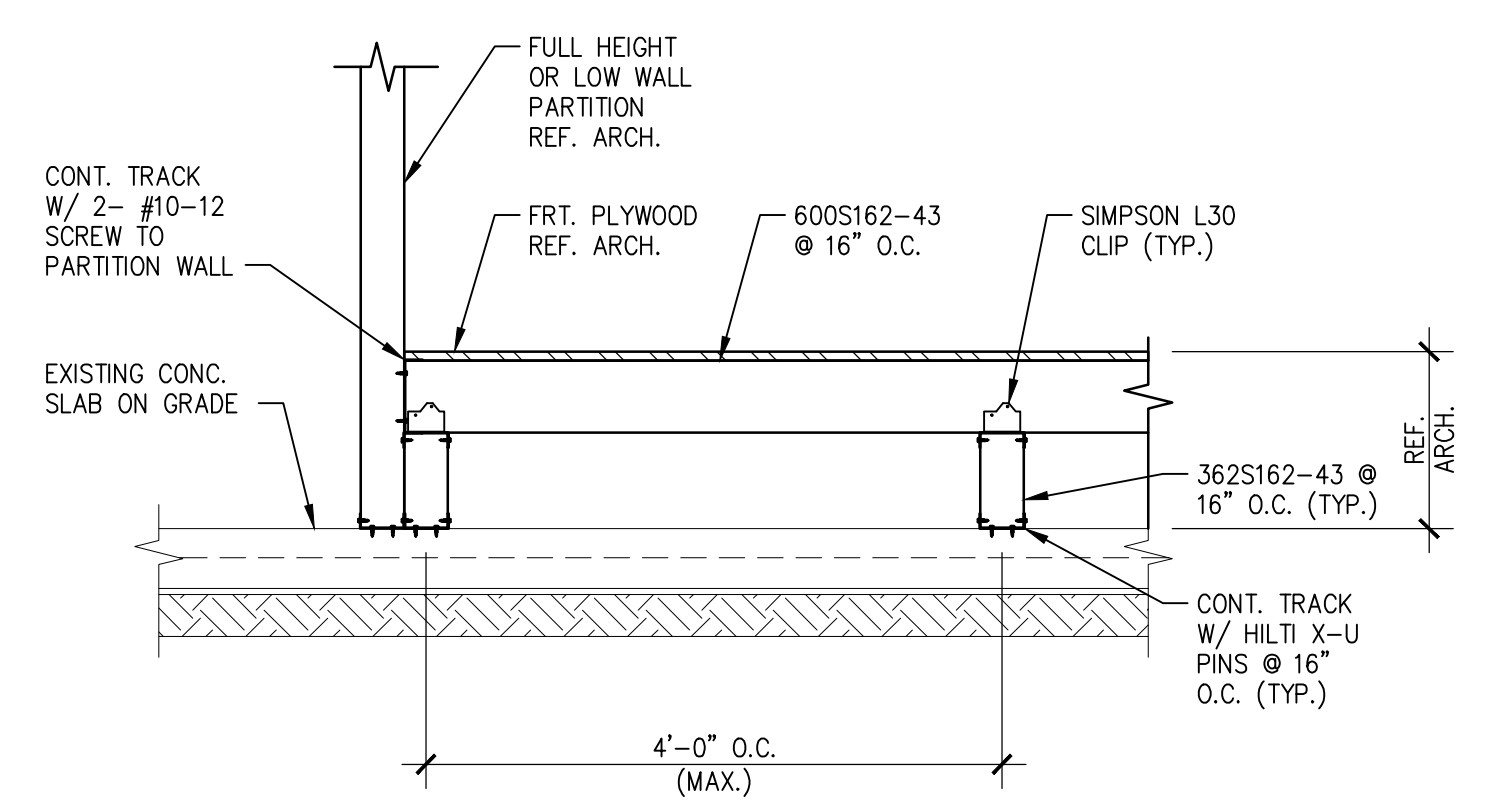
06 SECTION
SCALE: 3/4"=1'-0"



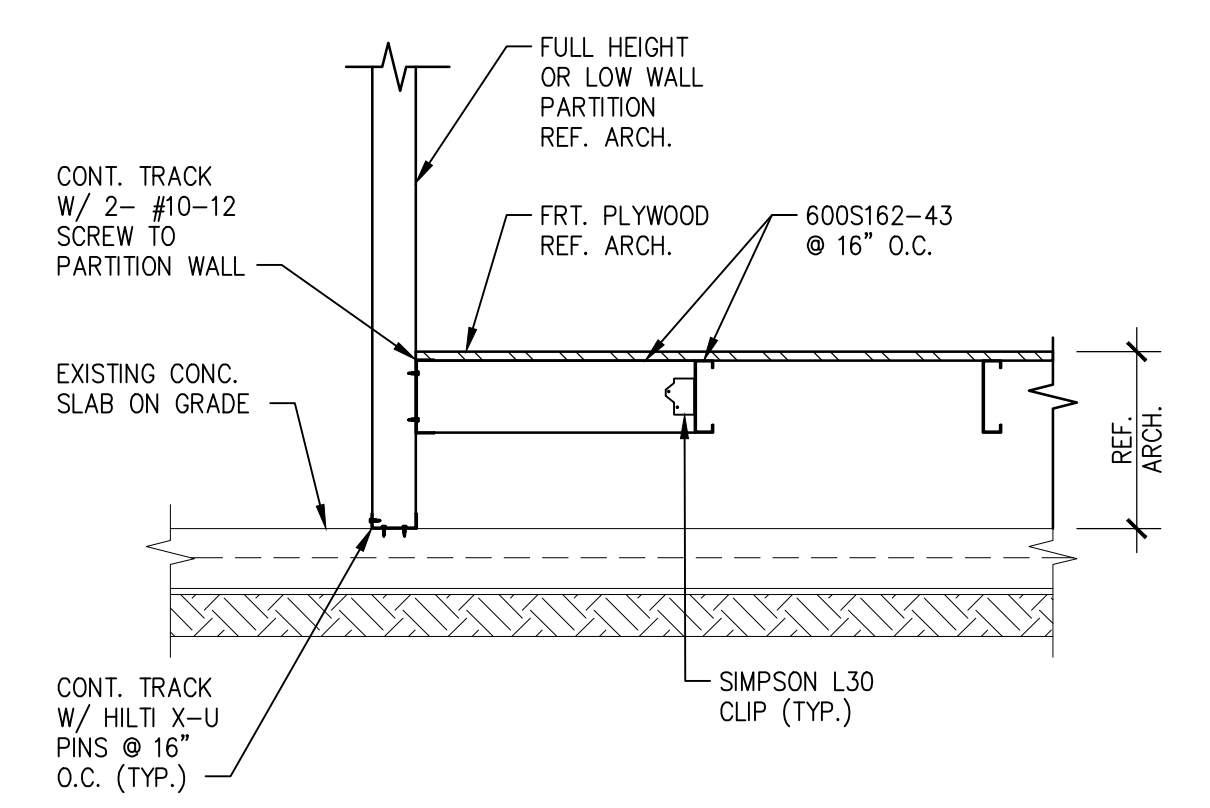
07 SECTION
SCALE: 3/4"=1'-0"



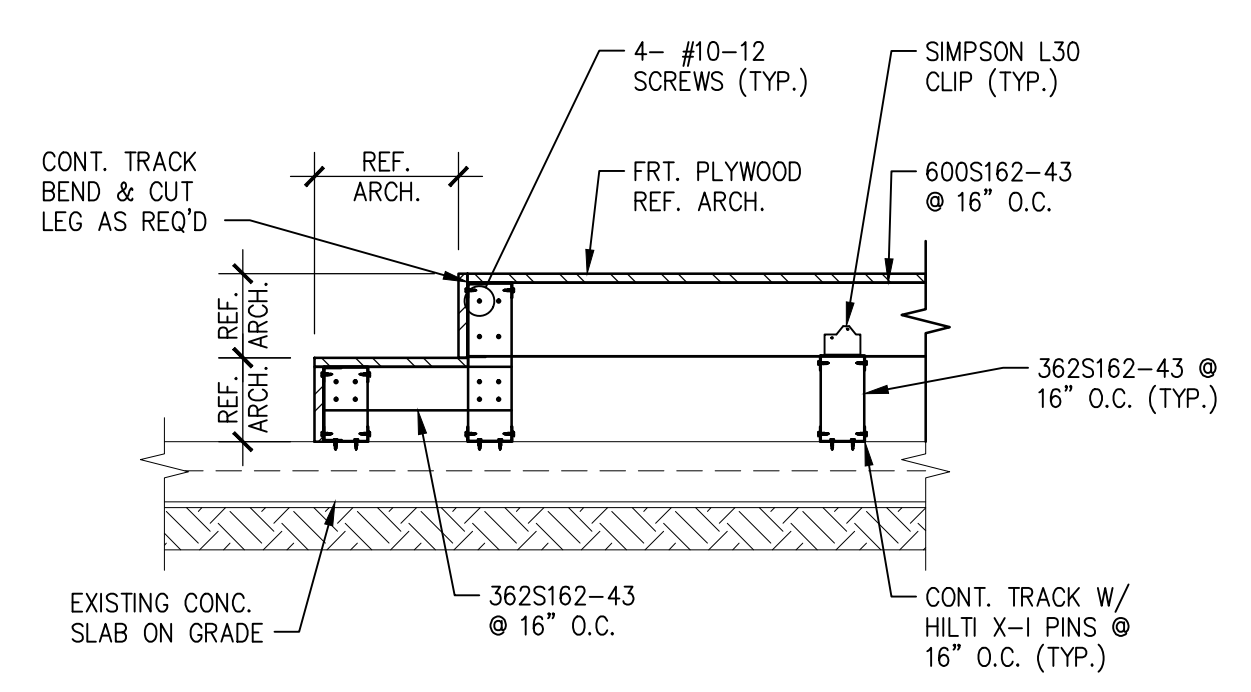
08 SECTION
SCALE: 3/4"=1'-0"



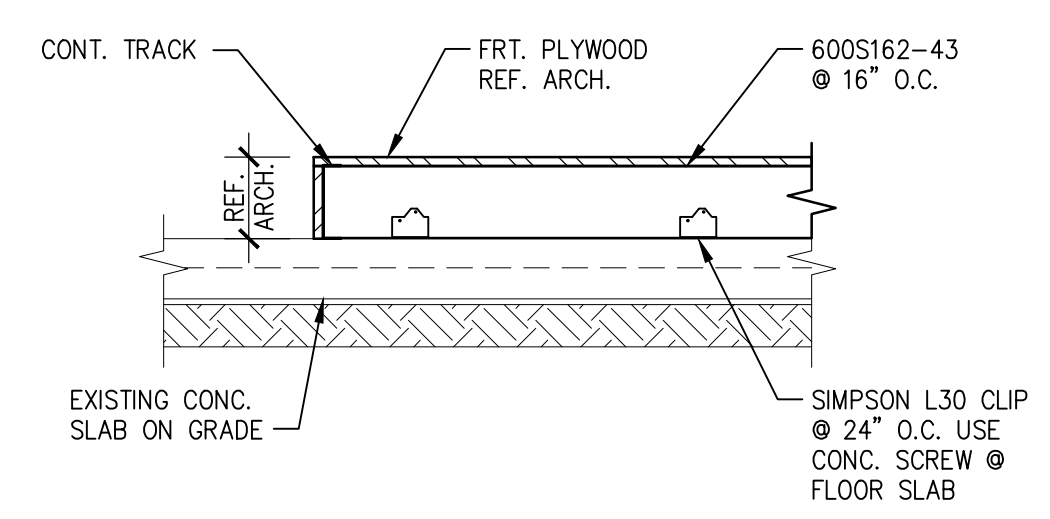
09 SECTION
SCALE: 3/4"=1'-0"



10 SECTION
SCALE: 3/4"=1'-0"

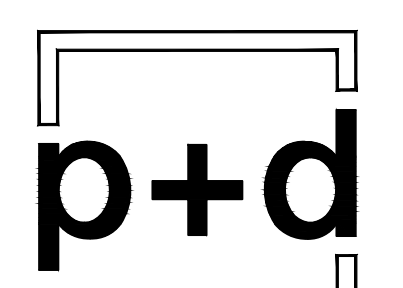


11 SECTION
SCALE: 3/4"=1'-0"



12 SECTION
SCALE: 3/4"=1'-0"

BINNERI PRESBYTERIAN CHURCH
RICHARDSON, TX
1301 ABRAMS ROAD
RICHARDSON, TEXAS 75081



poole+drennan
design studio
931 N Edgely Ave
Dallas, Texas 75208
Ph: 886.707.0104
info@poole+drennan.com

COPYRIGHT
THESE DRAWINGS ARE THE PROPERTY OF
POOLE+DRENNAN DESIGN STUDIO AND
SHALL NOT BE DUPLICATED, DISCLOSED OR
REUSED WITHOUT THE WRITTEN CONSENT OF
POOLE+DRENNAN DESIGN STUDIO

DRAWN BY:
CHECKED BY:
DATE: **04.12.2017**
REVISIONS:
CITY COMMENTS 06.12.2017

PROJECT NO.: **16054**
SHEET TITLE:
**PHASE 1
FOUNDATION
DETAILS**
SHEET NO.:
S300



Ronald R. Roberts
Associates, Inc.
Consulting Engineers
TX. FIRM REG. #911
2948 N. Stemmons Freeway
Dallas, Texas 75247-6103
Phone: (214) 637-6299 www.rara.net